



NMC93C56/C66 2048-Bit/4096-Bit Serial Electrically Erasable Programmable Memories

General Description

The NMC93C56/NMC93C66 are 2048/4096 bits of CMOS electrically erasable memory divided into 128/256 16-bit registers. They are fabricated using National Semiconductor's floating-gate CMOS process for high speed and low power. They operate from a single 5V supply since V_{PP} is generated on-board. The serial organization allow the NMC93C56/66 to be packaged in an 8-pin DIP or 14-pin SO package to save board space.

The memories feature a serial interface with the instruction, address, and write data, input on the Data-In (DI) pin. All read data and device status come out on the Data-Out (DO) pin. A low-to-high transition of shift clock (SK) shifts all data in and out. This serial interface is MICROWIRE™ compatible for simple interface to standard microcontrollers and microprocessors. There are 7 instructions: Read, Erase/Write Enable, Erase, Erase All, Write, Write All, and Erase/Write Disable. The NMC93C56/66 do not require an erase cycle prior to the Write and Write All instructions. The Erase and Erase All instructions are available to maintain complete read and programming capability with the NMOS NMC9346. All programming cycles are completely self-timed for simplified operation. The busy status is available on the DO pin to indicate the completion of a programming cycle. EEPROMs are shipped in the erased state where all bits are logical 1's.

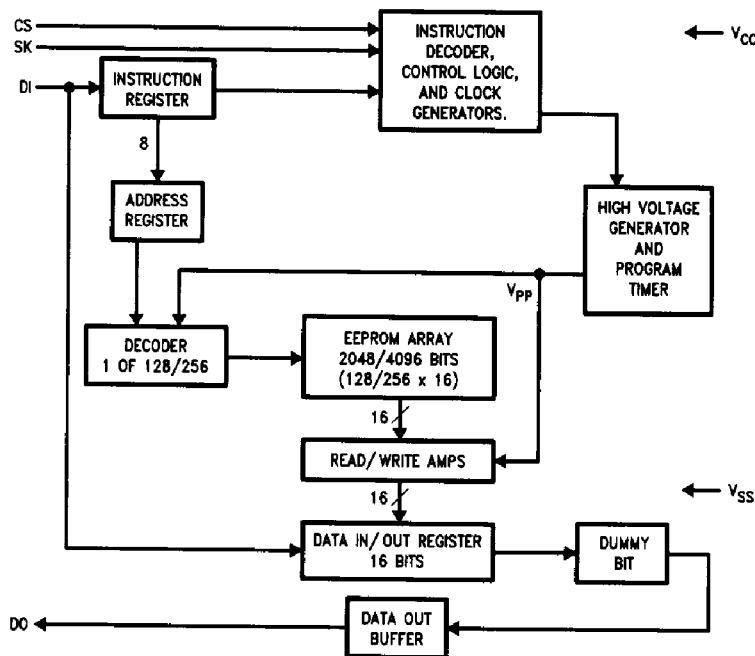
Compatibility with Other Devices

These memories are pin compatible to National Semiconductor's NMOS EEPROMs, NMC9306 and NMC9346 and CMOS EEPROMs NMC93C06/46. The NMC93C56/66 are both pin and function compatible with the NMC93C06/46, 256/1024-bit EEPROM with the one exception that the NMC93C56/66 require 2 additional address bits.

Features

- Typical active current 400 μ A; Typical standby current 25 μ A
- Reliable CMOS floating gate technology
- 5V only operation in all modes
- MICROWIRE compatible serial I/O
- Self-timed programming cycle
- Device status signal during programming mode
- Sequential register read
- Over 40 years data retention
- Designed for 100,000 write cycles

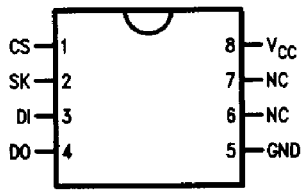
Block Diagram



TL/D/9617-1

Connection Diagrams

Dual-In-Line Package (N)



TL/D/9617-2

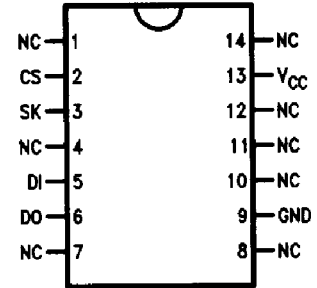
Top View

See NS Package Number N08E

Pin Names

CS	Chip Select
SK	Serial Data Clock
DI	Serial Data Input
DO	Serial Data Output
GND	Ground
VCC	Power Supply

SO Package (M)



TL/D/9617-3

Top View

See NS Package Number M14A

Ordering Information

Commercial Temp. Range (0°C to +70°C)

Order Number
NMC93C56N/NMC93C66N
NMC93C56M/NMC93C66M

Extended Temp. Range (-40°C to +85°C)

Order Number
NMC93C56EN/NMC93C66EN
NMC93C56EM/NMC93C66EM

Military Temp. Range (-55°C to +125°C)

Order Number
NMC93C56MN/NMC93C66MN
NMC93C56MM/NMC93C66MM

Absolute Maximum Ratings (Note 1)

If Military/Aerospace specified devices are required, please contact the National Semiconductor Sales Office/Distributors for availability and specifications.

Ambient Storage Temperature	-65°C to +150°C
All Input or Output Voltages with Respect to Ground	+6.5V to -0.3V
Lead Temp. (Soldering, 10 sec.)	+300°C
ESD Rating	2000V

Operating Conditions

Ambient Operating Temperature	0°C to +10°C
NMC93C56/NMC93C66	-40°C to +85°C
NMC93C56E/NMC93C66E	
NMC93C56M/NMC93C66M	
(Mil. Temp.)	-55°C to +125°C
Positive Power Supply	4.5V to 5.5V

DC and AC Electrical Characteristics $V_{CC} = 5V \pm 10\%$ (unless otherwise specified)

Symbol	Parameter	Part Number	Conditions	Min	Max	Units
I_{CC1}	Operating Current CMOS Input Levels	NMC93C56/NMC93C66	CS = V_{IH} , SK = 1 MHz		2	mA
		NMC93C56E/NMC93C66E	SK = 0.5 MHz		2	
		NMC93C56M/NMC93C66M*	SK = 0.5 MHz		2	
I_{CC2}	Operating Current TTL Input Levels	NMC93C56/NMC93C66	CS = V_{IH} , SK = 1 MHz		3	mA
		NMC93C56E/NMC93C66E	SK = 0.5 MHz		3	
		NMC93C56M/NMC93C66M	SK = 0.5 MHz		4	
I_{CC3}	Standby Current	NMC93C56/NMC93C66	CS = 0V		50	μ A
		NMC93C56E/NMC93C66E			100	
		NMC93C56M/NMC93C66M			100	
I_{IL}	Input Leakage	NMC93C56/NMC93C66	$V_{IN} = 0V$ to V_{CC}	-2.5	2.5	μ A
		NMC93C56E/NMC93C66E		-10	10	
		NMC93C56M/NMC93C66M		-10	10	
I_{OL}	Output Leakage	NMC93C56/NMC93C66	$V_{IN} = 0V$ to V_{CC}	-2.5	2.5	μ A
		NMC93C56E/NMC93C66E		-10	10	
		NMC93C56M/NMC93C66M		-10	10	
V_{IL} V_{IH}	Input Low Voltage Input High Voltage			-0.1	0.8	V
				2	$V_{CC} + 1$	V
V_{OL1}	Output Low Voltage	NMC93C56/NMC93C66	$I_{OL} = 2.1$ mA		0.4	V
		NMC93C56E/NMC93C66E	$I_{OL} = 2.1$ mA		0.4	
		NMC93C56M/NMC93C66M	$I_{OL} = 1.8$ mA		0.4	
V_{OH1}	Output High Voltage		$I_{OH} = 400$ μ A	2.4		V
V_{OL2} V_{OH2}	Output Low Voltage Output High Voltage		$I_{OL} = 10$ μ A		0.2	V
			$I_{OH} = -10$ μ A	$V_{CC} - 0.2$		V
f_{SK}	SK Clock Frequency	NMC93C56/NMC93C66		0	1	MHz
		NMC93C56E/NMC93C66E		0	0.5	
		NMC93C56M/NMC93C66M		0	0.5	
t_{SKH}	SK High Time	NMC93C56/NMC93C66	(Note 2)	250		ns
		NMC93C56E/NMC93C66E	(Note 3)	500		
		NMC93C56M/NMC93C66M	(Note 3)	500		
t_{SKL}	SK Low Time	NMC93C56/NMC93C66	(Note 2)	250		ns
		NMC93C56E/NMC93C66E	(Note 3)	500		
		NMC93C56M/NMC93C66M	(Note 3)	500		
t_{CS}	Minimum CS Low Time	NMC93C56/NMC93C66	(Note 4)	250		ns
		NMC93C56E/NMC93C66E	(Note 5)	500		
		NMC93C56M/NMC93C66M	(Note 5)	500		
t_{CSS}	CS Setup Time	NMC93C56/NMC93C66	Relative to SK	50		ns
		NMC93C56E/NMC93C66E		100		
		NMC93C56M/NMC93C66M		100		

*Note: Throughout this table "M" refers to temperature range (-55°C to +125°C), not package type.

DC and AC Electrical Characteristics $V_{CC} = 5V \pm 10\%$ (unless otherwise specified) (Continued)

Symbol	Parameter	Part Number	Conditions	Min	Max	Units
t_{DIS}	DI Setup Time	NMC93C56/NMC93C66 NMC93C56E/NMC93C66E NMC93C56M/NMC93C66M	Relative to SK	100 200 200		ns
t_{CSH}	CS Hold Time		Relative to SK	0		ns
t_{DIH}	DI Hold Time	NMC93C56/NMC93C66 NMC93C56E/NMC93C66E NMC93C56M/NMC93C66M	Relative to SK	100 200 200		ns
t_{PD1}	Output Delay to "1"	NMC93C56/NMC93C66 NMC93C56E/NMC93C66E NMC93C56M/NMC93C66M	AC Test		500 1000 1000	ns
t_{PD0}	Output Delay to "0"	NMC93C56/NMC93C66 NMC93C56E/NMC93C66E NMC93C56M/NMC93C66M	AC Test		500 1000 1000	ns
t_{SV}	CS to Status Valid	NMC93C56/NMC93C66 NMC93C56E/NMC93C66E NMC93C56M/NMC93C66M	AC Test		500 1000 1000	ns
t_{DF}	CS to DO in TRI-STATE®	NMC93C56/NMC93C66 NMC93C56E/NMC93C66E NMC93C56M/NMC93C66M	AC Test CS = V_{IL}		100 200 200	ns
t_{WP}	Write Cycle Time				10	ms

Note 1: Stress above those listed under "Absolute Maximum Ratings" may cause permanent damage to the device. This is a stress rating only and functional operation of the device at these or any other conditions above those indicated in the operational sections of the specification is not implied. Exposure to absolute maximum rating conditions for extended periods may affect device reliability.

Note 2: The SK frequency specification for Commercial parts specifies a minimum SK clock period of 1 μ s, therefore in an SK clock cycle $t_{SKH} + t_{SKL}$ must be greater than or equal to 1 μ s. For example if $t_{SKL} = 250$ ns then the minimum $t_{SKH} = 750$ ns in order to meet the SK frequency specification.

Note 3: The SK frequency specification for Extended Temperature and Military parts specifies a minimum SK clock period of 2 μ s, therefore in an SK clock cycle $t_{SKH} + t_{SKL}$ must be greater than or equal to 2 μ s. For example, if the $t_{SKL} = 500$ ns then the minimum $t_{SKH} = 1.5$ μ s in order to meet the SK frequency specification.

Note 4: For Commercial parts CS must be brought low for a minimum of 250 ns (t_{CS}) between consecutive instruction cycles.

Note 5: For Extended Temperature and Military parts CS must be brought low for a minimum of 500 ns (t_{CS}) between consecutive instruction cycles.

Note 6: This parameter is periodically sampled and not 100% tested.

Capacitance (Note 6)
 $T_A = 25^\circ\text{C}$ $f = 1$ MHz

Symbol	Test	Typ	Max	Units
C_{OUT}	Output Capacitance		5	pF
C_{IN}	Input Capacitance		5	pF

AC Test Conditions

Output Load	1 TTL Gate and $C_L = 100$ pF
Input Pulse Levels	0.4V to 2.4V
Timing Measurement Reference Level	
Input	1V and 2V
Output	0.8V and 2V

Functional Description

The NMC93C56 and NMC93C66 have 7 instructions as described below. Note that the MSB of any instruction is a "1" and is viewed as a start bit in the interface sequence. The next 10-bits carry the op code and the 8-bit address for register selection.

Read (READ):

The Read (READ) instruction outputs serial data on the DO pin. After a READ instruction is received, the instruction and address are decoded, followed by data transfer from the selected memory register into a 16-bit serial-out shift register. A dummy bit (logical 0) precedes the 16-bit data output string. Output data changes are initiated by a low to high transition of the SK clock.

Erase/Write Enable (EWEN):

When V_{CC} is applied to the part, it powers up in the Erase/Write Disable (EWDS) state. Therefore, all programming modes must be preceded by an Erase/Write Enable (EWEN) instruction. Once an Erase/Write Enable instruction is executed, programming remains enabled until an Erase/Write Disable (EWDS) instruction is executed or V_{CC} is removed from the part.

Erase (ERASE):

The ERASE instruction will program all bits in the specified register to the logical '1' state. CS is brought low following the loading of the last address bit. This falling edge of the CS pin initiates the self-timed programming cycle.

The DO pin indicates the READY/BUSY status of the chip if CS is brought high after a minimum of 250 ns (t_{CS}). DO = logical '0' indicates that programming is still in progress. DO = logical '1' indicates that the register, at the address specified in the instruction, has been erased, and the part is ready for another instruction.

Write (WRITE):

The Write (WRITE) instruction is followed by 16 bits of data to be written into the specified address. After the last bit of data is put on the data-in (DI) pin, CS must be brought low before the next rising edge of the SK clock. This falling edge of CS initiates the self-timed programming cycle. The DO pin indicates the READY/BUSY status of the chip if CS is brought high after a minimum of 250 ns (t_{CS}). DO = logical 0 indicates that programming is still in progress. DO = logical 1 indicates that the register at the address specified in the instruction has been written with the data pattern specified in the instruction and the part is ready for another instruction.

Erase All (ERAL):

The ERAL instruction will simultaneously program all registers in the memory array and set each bit to the logical '1' state. The Erase All cycle is identical to the ERASE cycle except for the different op-code. As in the ERASE mode, the DO pin indicates the READY/BUSY status of the chip if CS is brought high after a minimum of 250 ns (t_{CS}).

Write All (WRAL):

The (WRAL) instruction will simultaneously program all registers with the data pattern specified in the instruction. As in the WRITE mode, the DO pin indicates the READY/BUSY status of the chip if CS is brought high after a minimum of 250 ns (t_{CS}).

Erase/Write Disable (EWDS):

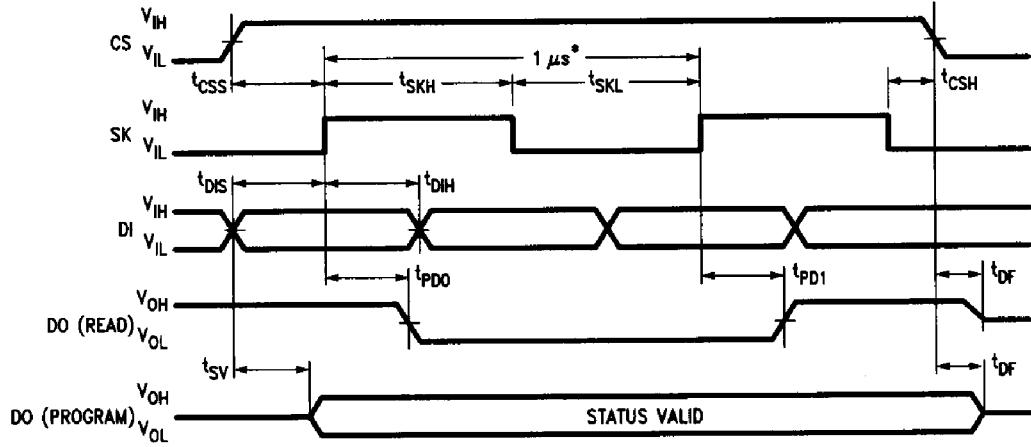
To protect against accidental data disturb, the Erase/Write Disable (EWDS) instruction disables all programming modes and should follow all programming operations. Execution of a READ instruction is independent of both the EWEN and EWDS instructions.

Instruction Set for the NMC93C56 and NMC93C66

Instruction	SB	Op Code	Address	Data	Comments
READ	1	10	A7-A0		Reads data stored in memory.
EWEN	1	00	11XXXXXX		Write enable must precede all programming modes.
ERASE	1	11	A7-A0		Erase register A7A6A5A4A3A2A1A0.
ERAL	1	00	10XXXXXX		Erases all registers.
WRITE	1	01	A7-A0	D15-D0	Writes register if address is unprotected.
WRAL	1	00	01XXXXXX	D15-D0	Writes all registers. Valid only when Protect Register is cleared.
EWDS	1	00	00XXXXXX		Disables all programming instructions.

Timing Diagrams

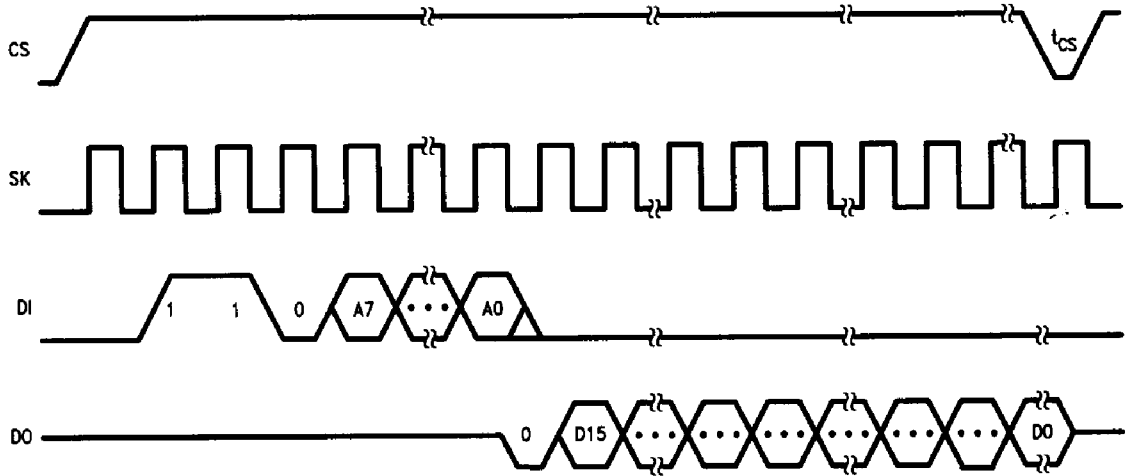
Synchronous Data Timing



TL/D/9617-4

*This is the minimum SK period (Note 2).

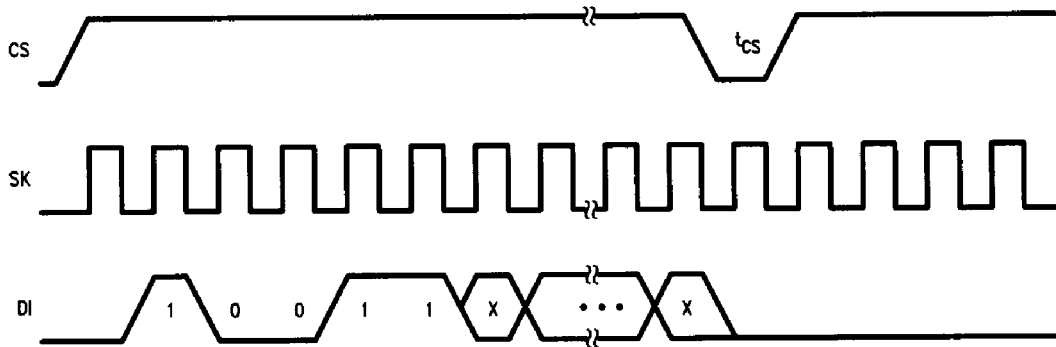
READ:



TL/D/9617-5

*Address bit A7 becomes a "don't care" for NMC93C56.

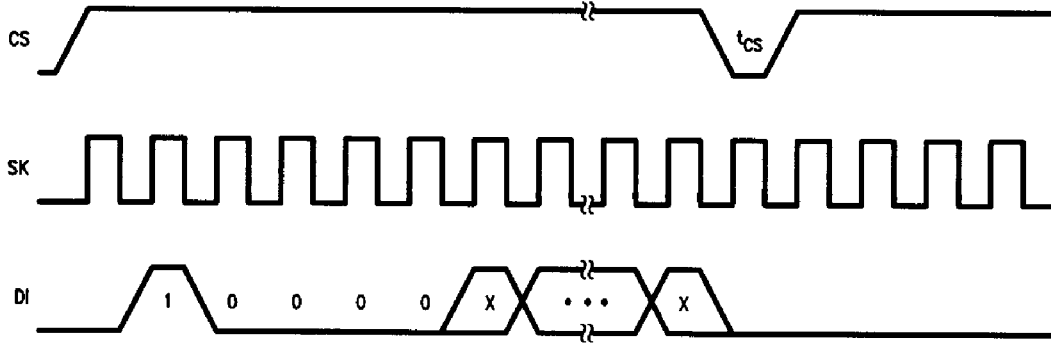
EWEN:



TL/D/9617-6

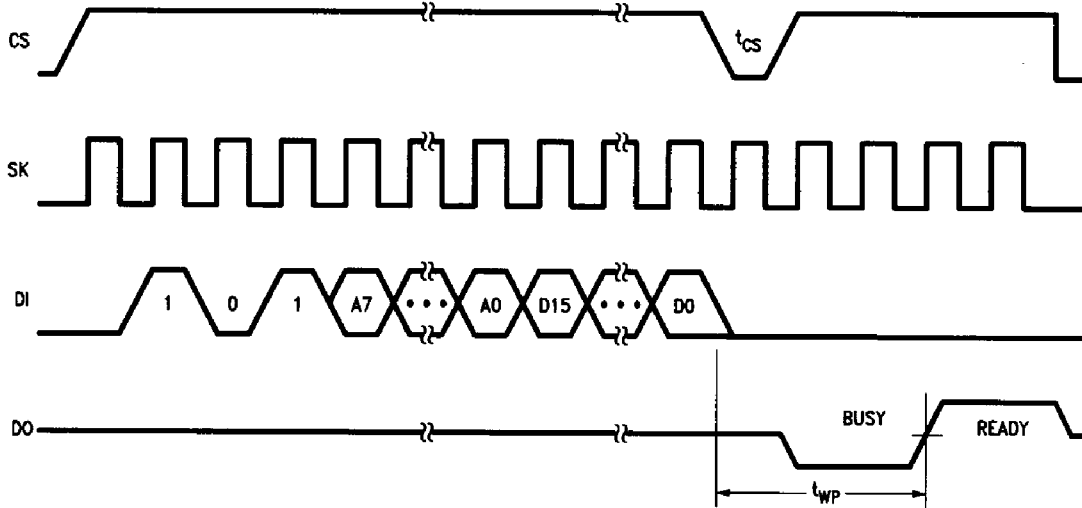
Timing Diagrams (Continued)

EWDS:



TL/D/9617-7

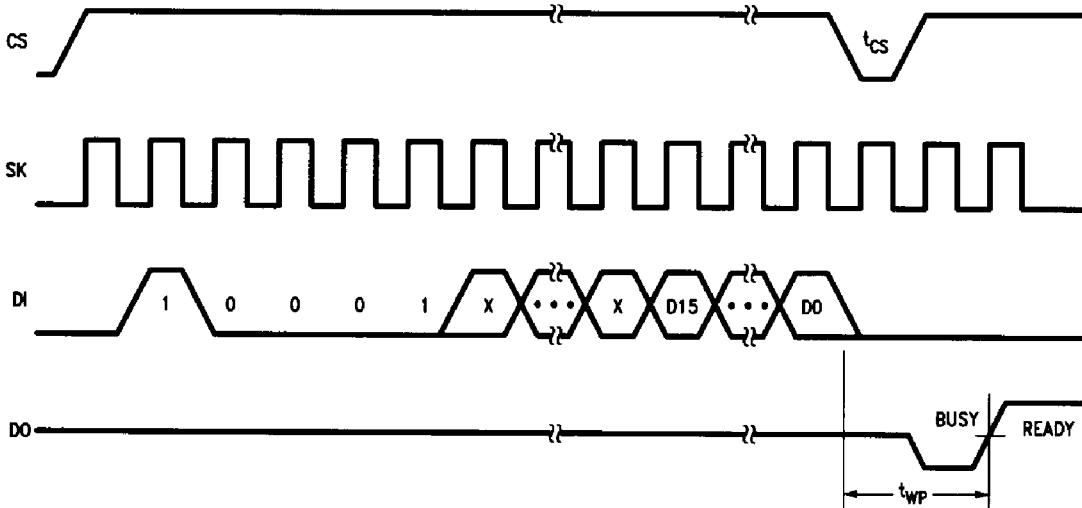
WRITE:



TL/D/9617-8

*Address bit A₇ becomes a "don't care" for NMC93C56.

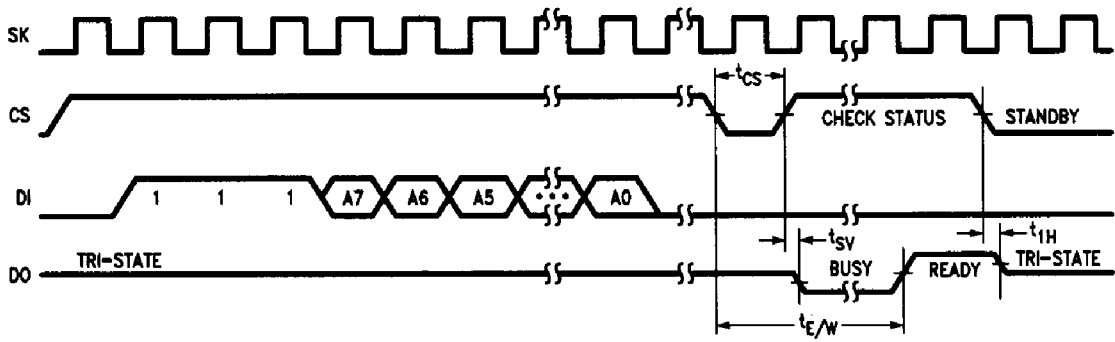
WRAL:



TL/D/9617-9

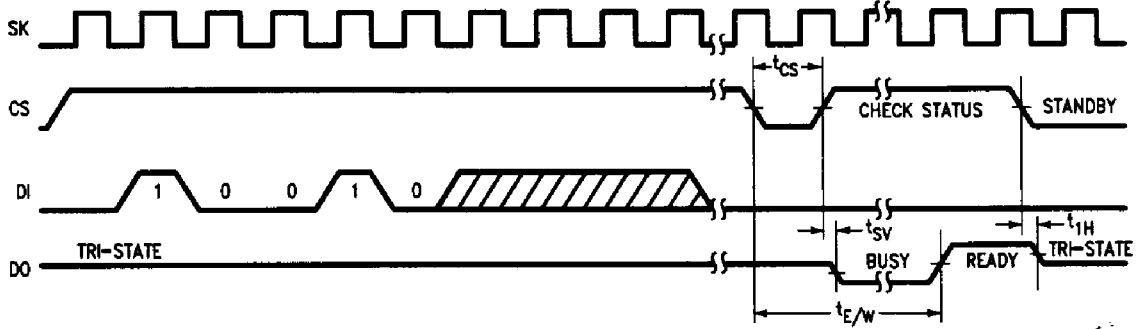
Timing Diagrams (Continued)

ERASE:



TL/D/9617-10

ERASE:



TL/D/9617-11