



23×15.5×26

N V F M

Features

- Switching capacity up to 25A.
- PC board mounting and insert mounting available.
- Suitable for automation system and automobile auxiliary etc.

Ordering Information

<u>NVFM</u>	<u>C</u>	<u>Z</u>	<u>20</u>	<u>DC12V</u>	<u>1.5</u>	<u>b</u>	<u>D</u>
1	2	3	4	5	6	7	8
1 Part number: NVFM				5 Coil rated Voltage(V): DC:6,12,24,48			
2 Contact arrangement: A:1A (1.2W); C:1C(1.5W)				6 Coil power consumption: 1.2:1.2W; 1.5:1.5W			
3 Enclosure: S: Sealed type; Z: Dust cover;				7 Terminals: b: PCB type; a: plug in type			
4 Contact Current: 25:25A/14VDC; 20:20A/14VDC				8 Coil transient suppression: D: with diode; R: with resistant; . NIL: standard			

Contact Data

Contact Arrangement	1A (SPSTNO), 1C (SPDT(B-M))	
Contact Material	Ag-SnO ₂ , AgNi, Ag-CdO	
Contact Rating (resistive)	1A: 25A/14VDC; 1C: 20A/14VDC	
Max. Switching Power	350W	
Max. Switching Voltage	75VDC	Max. Switching Current:25A
Contact Resistance or Voltage drop	≤50mΩ	Item 3.12 of IEC255-7
Operation life	Electrical	10 ⁵
	Mechanical	10 ⁷
		Item 3.30 of IEC255-7
		Item 3.31 of IEC255-7

Coil Parameter

Dash numbers	Coil voltage VDC		Coil resistance Ω±10%	Pickup voltage VDC(max) (70%of rated voltage)	release voltage VDC(min) (10% of rated voltage)	Coil power consumption W	Operate Time ms	Release Time ms
	Rated	Max.						
006-1200	6	7.8	30	4.2	0.6	1.2	≤10	≤7
012-1200	12	15.6	120	8.4	1.2			
024-1200	24	31.2	480	16.8	2.4			
048-1200	48	62.4	1920	33.6	4.8			
006-1500	6	7.8	24	4.2	0.6	1.5	≤10	≤7
012-1500	12	15.6	96	8.4	1.2			
024-1500	24	31.2	384	16.8	2.4			
048-1500	48	62.4	1536	33.6	4.8			

CAUTION: 1.The use of any coil voltage less than the rated coil voltage will compromise the operation of the relay.
2.Pickup and release voltage are for test purposes only and are not to be used as design criteria.

Operation condition

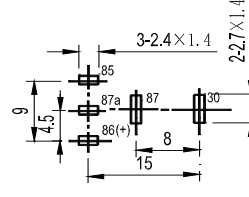
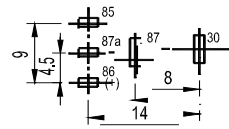
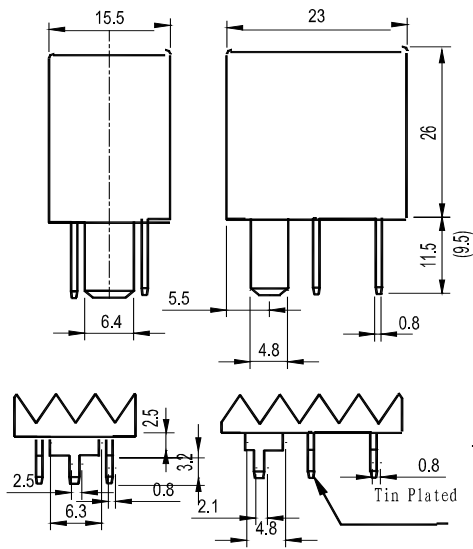
Insulation Resistance ¹⁾	100M Ω min (at 500VDC)	Item 7 of IEC255-5
Dielectric Strength ¹⁾		
Between contacts	50Hz 500V	Item 6 of IEC255-5
Between contact and coil	50Hz 1000V	Item 6 of IEC255-5
Shock resistance	100m/s ² 11ms	IEC68-2-27 Test Ea
Vibration resistance	10~40Hz double amplitude 1.27mm	IEC68-2-6 Test Fc
Terminals strength	8N 4N (PC type)	IEC68-2-21 Test Ua1
Solderability	235 $^{\circ}$ C \pm 2 $^{\circ}$ C 3 \pm 0.5s	IEC68-2-20 Test Ta method 1
Ambient Temperature	-40~85 $^{\circ}$ C	
Relative Humidity	85% (at 40 $^{\circ}$ C)	IEC68-2-3 Test Ca
Mass	18.5g	

Note: 1). When testing, coil terminals shall be connect , if coil transient suppression is installed in relay .

Qualification inspection:

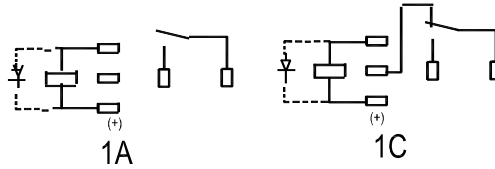
Perform the qualification test as specified in the table IV of IEC255-19-1 and minimum sample size 24.

Dimensions (Unit: mm)



Plug in type PCB type

Mounting (Bottom views)



Wiring diagram (Bottom views)

mm	inch
0.8	0.031
1.4	0.055
2.1	0.083
2.4	0.094
2.5	0.098
2.7	0.106
3.2	0.126
4.5	0.177
4.8	0.189
5.5	0.127
6.3	0.248
6.4	0.252
8	0.315
9	0.354
9.5	0.374
11.5	0.453
14	0.551
15	0.591
15.5	0.610
23	0.905
26	1.024

Note: Footprint as shown above is also available. Dimensions

NOTES 1).Dimensions are in millimeter.

2).Inch equivalents are given for general information only.

Reference Data

