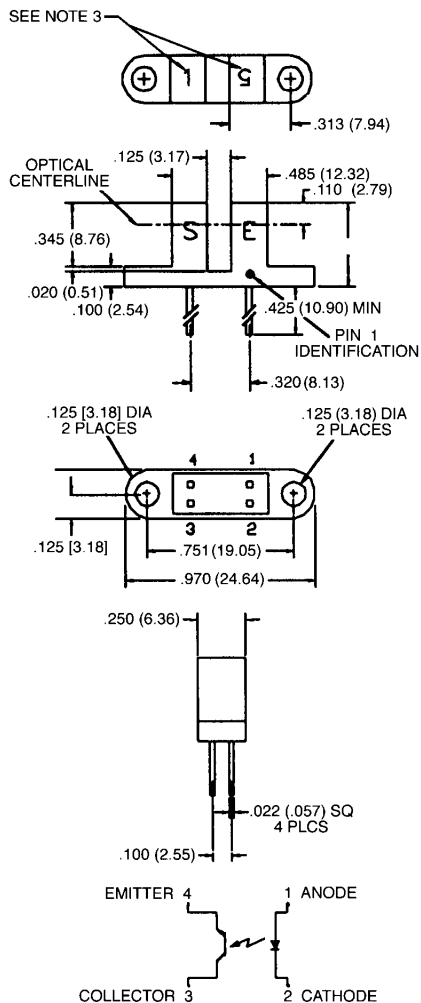


## OPB862T51/OPB862T55

### PACKAGE DIMENSIONS



#### ST2162

#### NOTES:

1. DIMENSIONS ARE IN INCHES (mm).
2. TOLERANCE IS  $\pm .010$  (.25) UNLESS OTHERWISE SPECIFIED.
3. NUMBER INDICATES APERTURE SIZE. (5 = .050", 1 = .010")

#### APERTURE OPTIONS:

	LED	PHOTOTRANSISTOR
OPB862T51	.050	.010
OPB862T55	.050	.050

### DESCRIPTION

The OPB862T series of switches is designed to allow the user maximum flexibility in applications. Each switch consists of an infrared emitting diode facing an NPN phototransistor across a .125" (3.18 mm) gap. A unique housing design provides a smooth external surface to prevent dust build-up while molded internal apertures give precise positioning and also provide protection from ambient light interference.

### FEATURES

- Fully enclosed design allows dust and ambient light protection.
- Lead spacing at .320".
- .050" and .010" aperture options.
- PCB mountable.



## SLOTTED OPTICAL SWITCH

### ABSOLUTE MAXIMUM RATINGS ( $T_A = 25^\circ\text{C}$ Unless Otherwise Specified)

Storage Temperature .....	$-40^\circ\text{C}$ to $+85^\circ\text{C}$
Operating Temperature .....	$-40^\circ\text{C}$ to $+85^\circ\text{C}$
Soldering:	
Lead Temperature (Iron) .....	$240^\circ\text{C}$ for 5 sec. <sup>(2,3,4)</sup>
Lead Temperature (Flow) .....	$260^\circ\text{C}$ for 10 sec. <sup>(2,3)</sup>
<b>INPUT DIODE</b>	
Continuous Forward Current .....	50 mA
Reverse Voltage .....	5.0 Volts
Power Dissipation .....	100 mW <sup>(1)</sup>
<b>OUTPUT TRANSISTOR</b>	
Collector-Emitter Voltage .....	30.0 Volts
Emitter-Collector Voltage .....	5.0 Volts
Power Dissipation .....	100 mW <sup>(1)</sup>

### ELECTRICAL CHARACTERISTICS ( $T_A = 25^\circ\text{C}$ Unless Otherwise Specified)

PARAMETER	SYMBOL	MIN.	MAX.	UNITS	TEST CONDITIONS
<b>INPUT DIODE</b>					
Forward Voltage	$V_F$	—	1.70	V	$I_F = 20\text{ mA}$
Reverse Leakage Current	$I_R$	—	100	$\mu\text{A}$	$V_R = 2.0\text{ V}$
<b>OUTPUT TRANSISTOR</b>					
Emitter-Collector Breakdown	$BV_{ECO}$	5	—	V	$I_E = 100\ \mu\text{A}$ , $E_e = 0$
Collector-Emitter Breakdown	$BV_{CEO}$	30	—	V	$I_C = 1.0\text{ mA}$ , $E_e = 0$
Collector-Emitter Leakage	$I_{CEO}$	—	100	nA	$V_{CE} = 10.0\text{ V}$ , $E_e = 0$
<b>COUPLED</b>					
On-State Collector Current					
OPB862T51	$I_{C(O)}$	1.8	—	mA	$I_F = 20\text{ mA}$ , $V_{CE} = 0.6\text{ V}$
OPB862T55	$I_{C(O)}$	1.8	—	mA	$I_F = 20\text{ mA}$ , $V_{CE} = 0.6\text{ V}$
Saturation Voltage	$V_{CE(SAT)}$	—	0.60	V	$I_F = 20\text{ mA}$ , $I_C = 1.8\text{ mA}$

### NOTES

- Derate power dissipation linearly  $1.67\text{ mW}/^\circ\text{C}$  above  $25^\circ\text{C}$ .
- RMA flux is recommended.
- Methanol or Isopropyl alcohols are recommended as cleaning agents.
- Soldering iron tip  $1/16"$  (1.6 mm) from housing.