

# TIBPAL20L8-10C, TIBPAL20R4-10C, TIBPAL20R6-10C, TIBPAL20R8-10C HIGH-PERFORMANCE *IMPACT-X*<sup>TM</sup> PAL<sup>®</sup> CIRCUITS

SRPS008A - D3336, OCTOBER 1989 - REVISED MARCH 1992

- **High-Performance Operation:**  
 $f_{max}$  (no feedback)  
 TIBPAL20R' ... 71.4 MHz  
 $f_{max}$  (internal feedback)  
 TIBPAL20R' ... 58.8 MHz  
 $f_{max}$  (external feedback)  
 TIBPAL20R' ... 55.5 MHz  
 Propagation Delay  
 TIBPAL20' ... 10 ns Max
- **Functionally Equivalent, but Faster Than Existing 24-Pin PLD Circuits**
- **Preload Capability on Output Registers Simplifies Testing**
- **Power-Up Clear on Registered Devices (All Register Outputs are Set Low, but Voltage Levels at the Output Pins Go High)**
- **Package Options Include Plastic Chip Carriers in Addition to Plastic and Ceramic DIPs**
- **Security Fuse Prevents Duplication**
- **Dependable Texas Instruments Quality and Reliability**

DEVICE	I INPUTS	3-STATE O OUTPUTS	REGISTERED Q OUTPUTS	I/O PORTS
PAL20L8	14	2	0	6
PAL20R4	12	0	4 (3-state buffers)	4
PAL20R6	12	0	6 (3-state buffers)	2
PAL20R8	12	0	8 (3-state buffers)	0

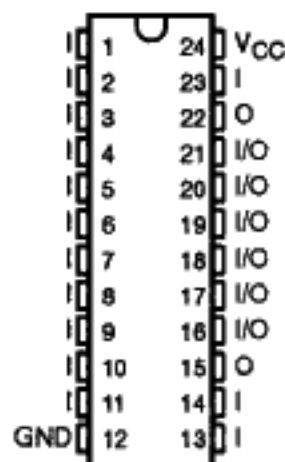
## description

These programmable array logic devices feature high speed and functional equivalency when compared with currently available devices. These *IMPACT-X*<sup>TM</sup> circuits combine the latest Advanced Low-Power Schottky technology with proven titanium-tungsten fuses to provide reliable, high-performance substitutes for conventional TTL logic. Their easy programmability allows for quick design of custom functions and typically results in a more compact circuit board. In addition, chip carriers are available for further reduction in board space.

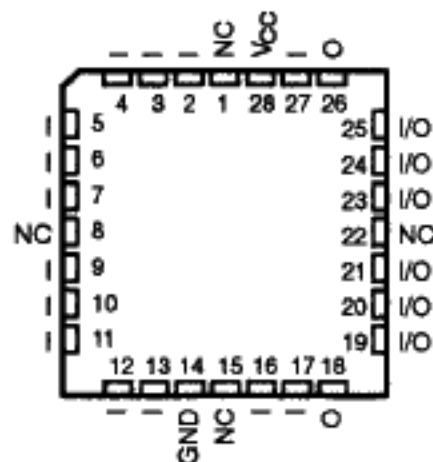
All of the register outputs are set to a low level during power up. Extra circuitry has been provided to allow loading of each register asynchronously to either a high or low state. This feature simplifies testing because the registers can be set to an initial state prior to executing the test sequence.

The TIBPAL20' C series is characterized from 0°C to 75°C.

TIBPAL20L8'  
JT OR NT PACKAGE  
(TOP VIEW)



TIBPAL20L8'  
FN PACKAGE  
(TOP VIEW)



NC — No internal connection  
Pin assignments in operating mode

PRODUCTION DATA information is current as of publication date. Products conform to specifications per the terms of Texas Instruments standard warranty. Production processing does not necessarily include testing of all parameters.

TEXAS  
INSTRUMENTS

POST OFFICE BOX 655303 • DALLAS, TEXAS 75265

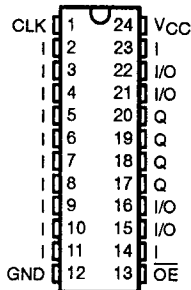
Copyright © 1992, Texas Instruments Incorporated

2-231

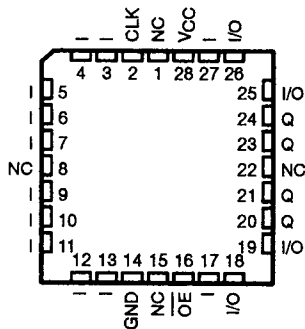
# TIBPAL20R4-10C, TIBPAL20R6-10C, TIBPAL20R8-10C HIGH-PERFORMANCE *IMPACT-X*™ PAL® CIRCUITS

SRPS008A – D3336, OCTOBER 1989 – REVISED MARCH 1992

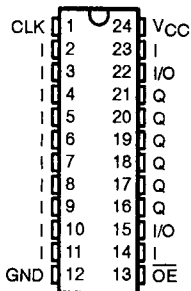
**TIBPAL20R4'**  
JT OR NT PACKAGE  
(TOP VIEW)



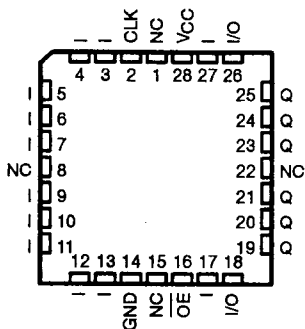
**TIBPAL20R4'**  
FN PACKAGE  
(TOP VIEW)



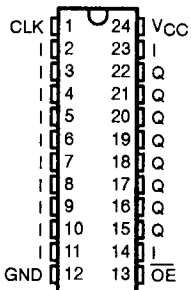
**TIBPAL20R6'**  
JT OR NT PACKAGE  
(TOP VIEW)



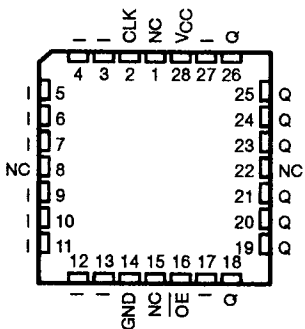
**TIBPAL20R6'**  
FN PACKAGE  
(TOP VIEW)



**TIBPAL20R8'**  
JT OR NT PACKAGE  
(TOP VIEW)



**TIBPAL20R8'**  
FN PACKAGE  
(TOP VIEW)



Pin assignments in operating mode

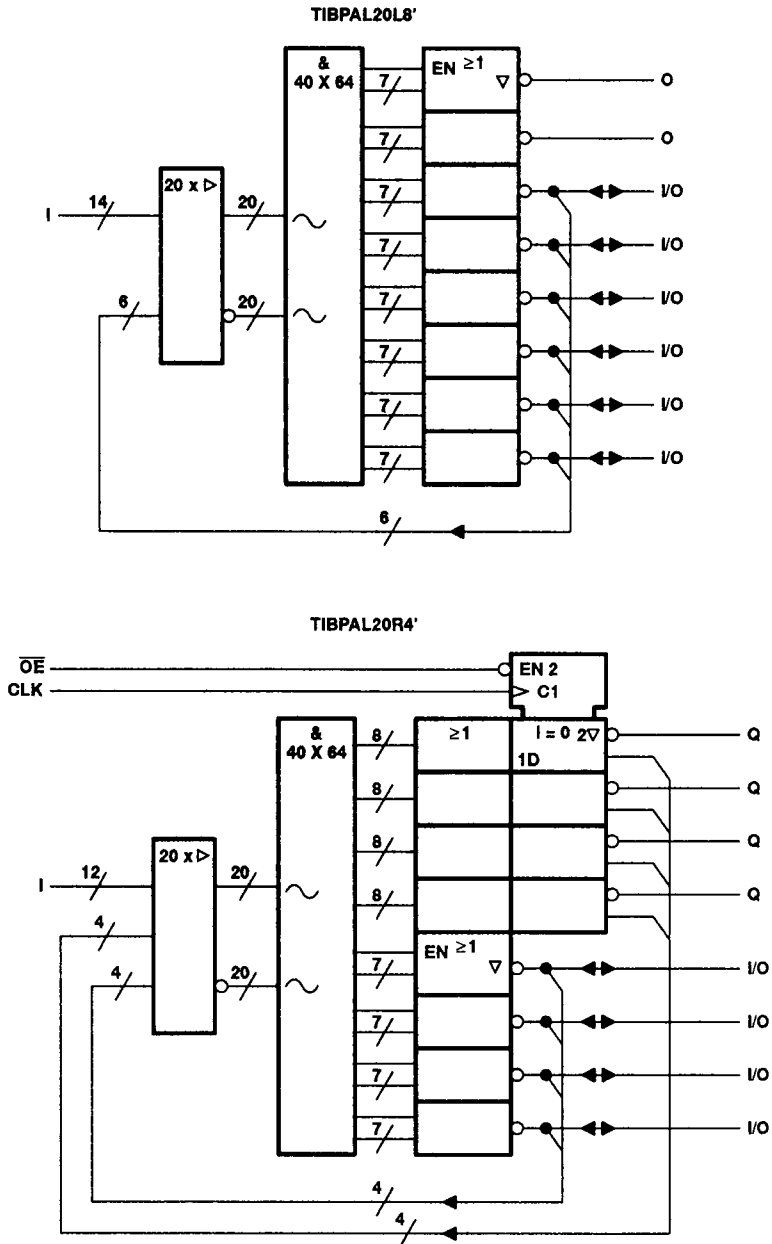
NC – No internal connection



# TIBPAL20L8-10C, TIBPAL20R4-10C HIGH-PERFORMANCE *IMPACT-X*™ PAL® CIRCUITS

SRPS008A - D3336, OCTOBER 1989 - REVISED MARCH 1992

## functional block diagrams (positive logic)



~ denotes fused inputs

**TEXAS  
INSTRUMENTS**

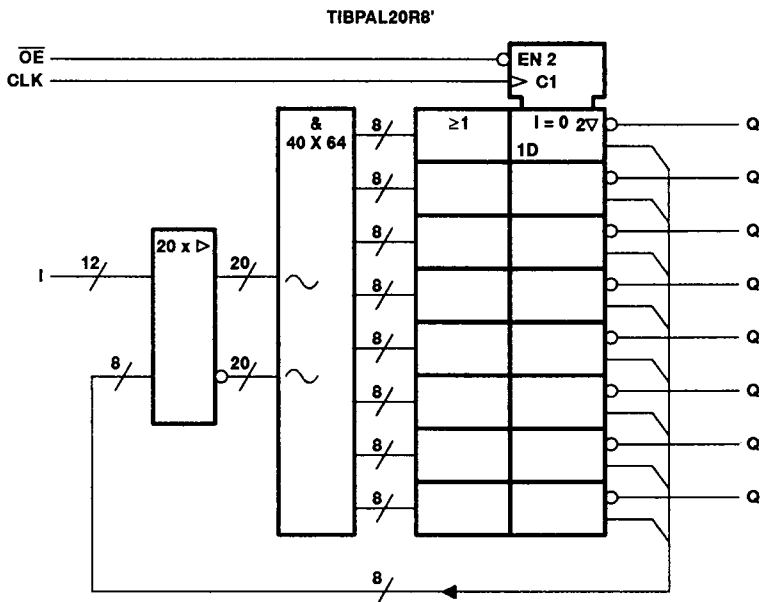
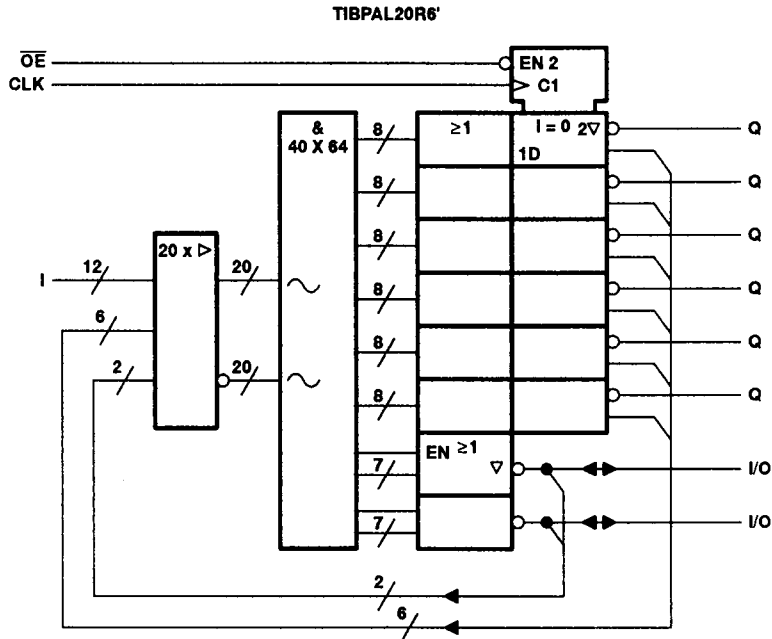
POST OFFICE BOX 655303 • DALLAS, TEXAS 75265

2-233

# TIBPAL20R6-10C, TIBPAL20R8-10C HIGH-PERFORMANCE *IMPACT-X*™ PAL® CIRCUITS

SRPS008A – D3336, OCTOBER 1989 – REVISED MARCH 1992

functional block diagrams (positive logic)

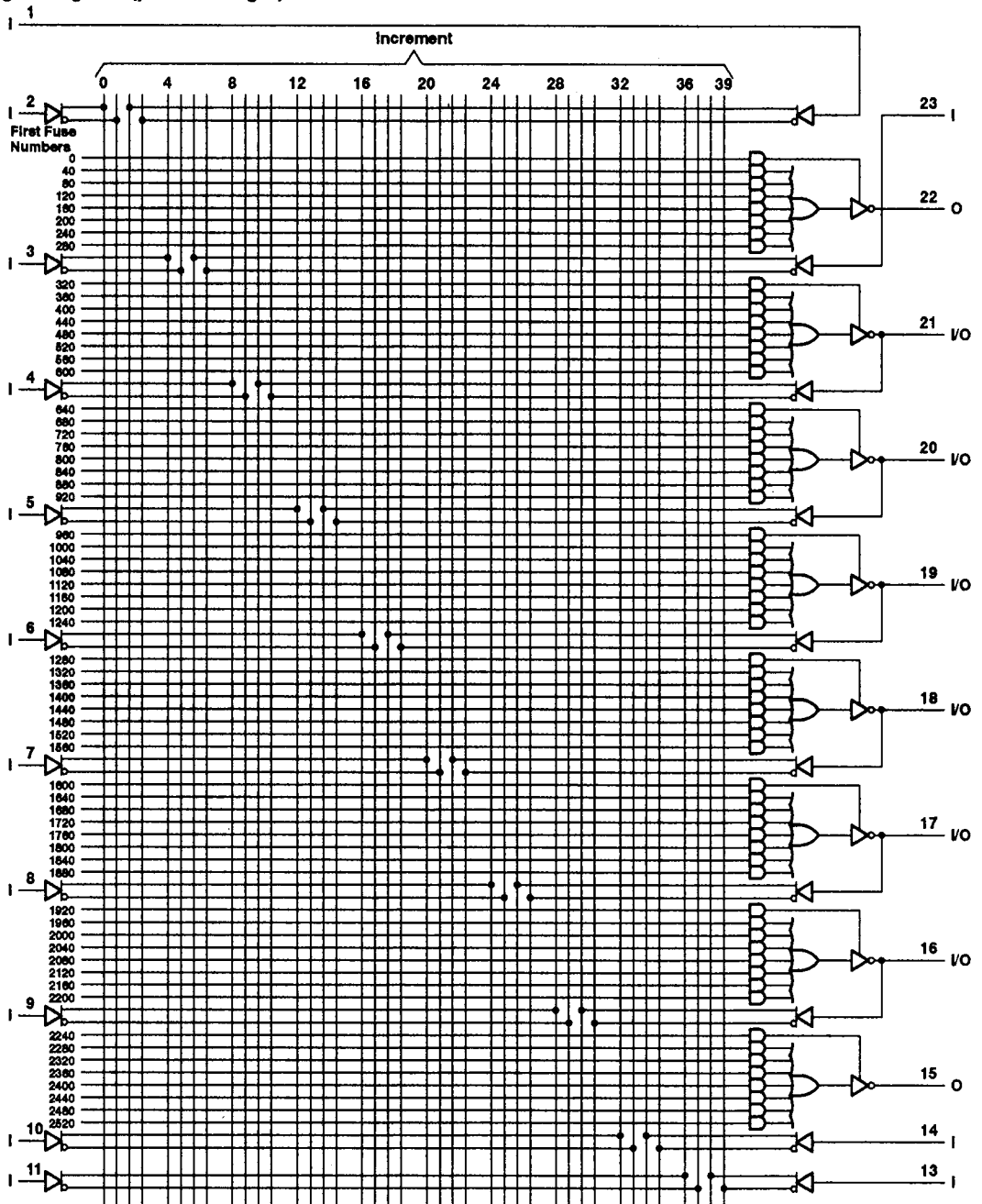


~ denotes fused inputs

# TIBPAL20L8-10C HIGH-PERFORMANCE *IMPACT-X*™ PAL® CIRCUITS

SRPS008A - D3336, OCTOBER 1989 - REVISED MARCH 1992

## logic diagram (positive logic)



Fuse number = First fuse number + Increment  
Pin numbers shown are for JT and NT packages.

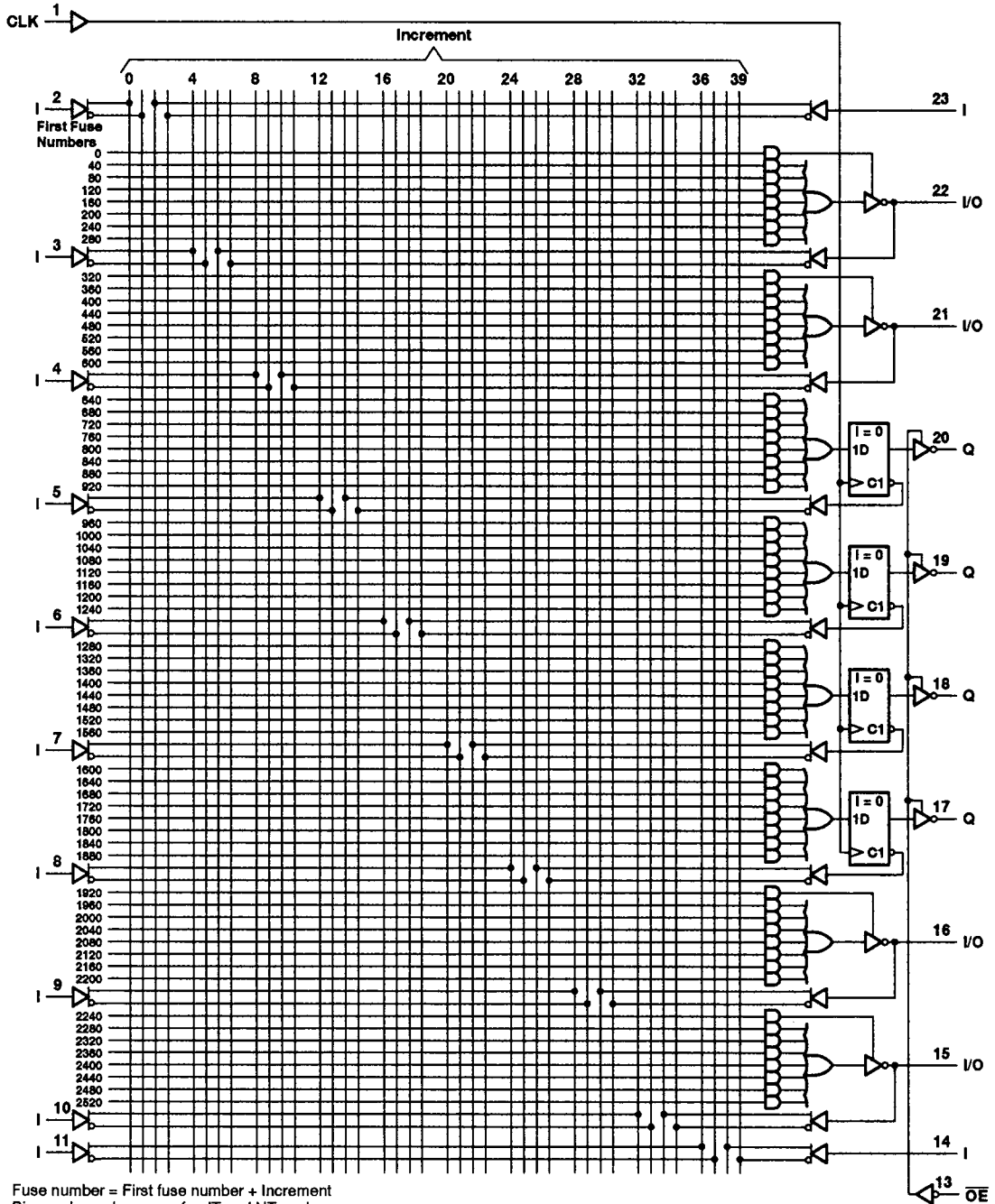


POST OFFICE BOX 655303 • DALLAS, TEXAS 75265

# TIBPAL20R4-10C HIGH-PERFORMANCE *IMPACT-X*™ PAL® CIRCUITS

SRPS008A - D3336, OCTOBER 1989 - REVISED MARCH 1992

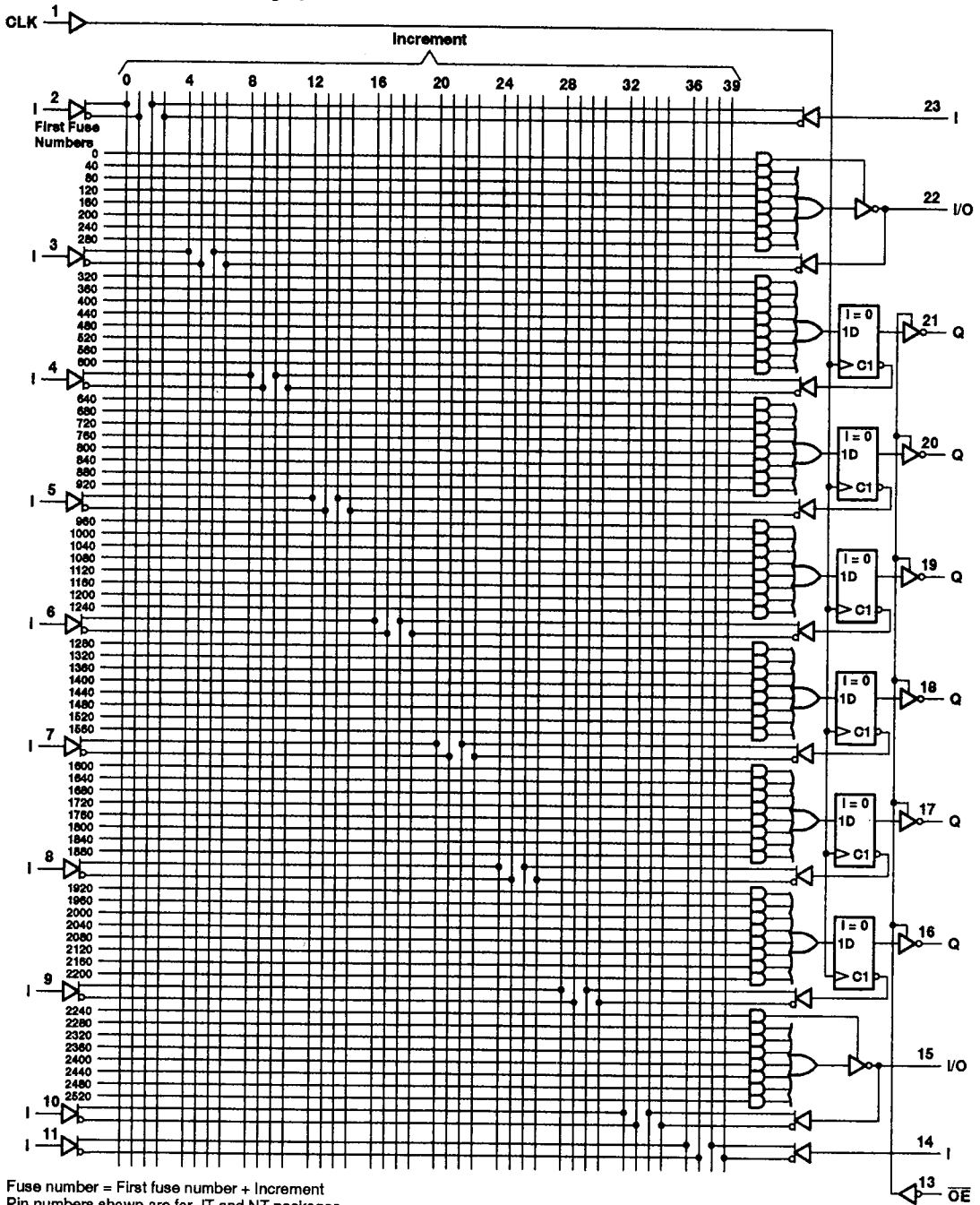
## logic diagram (positive logic)



# TIBPAL20R6-10C HIGH-PERFORMANCE *IMPACT-X*™ PAL® CIRCUITS

SRPS008A -- D3336, OCTOBER 1989 -- REVISED MARCH 1992

logic diagram (positive logic)

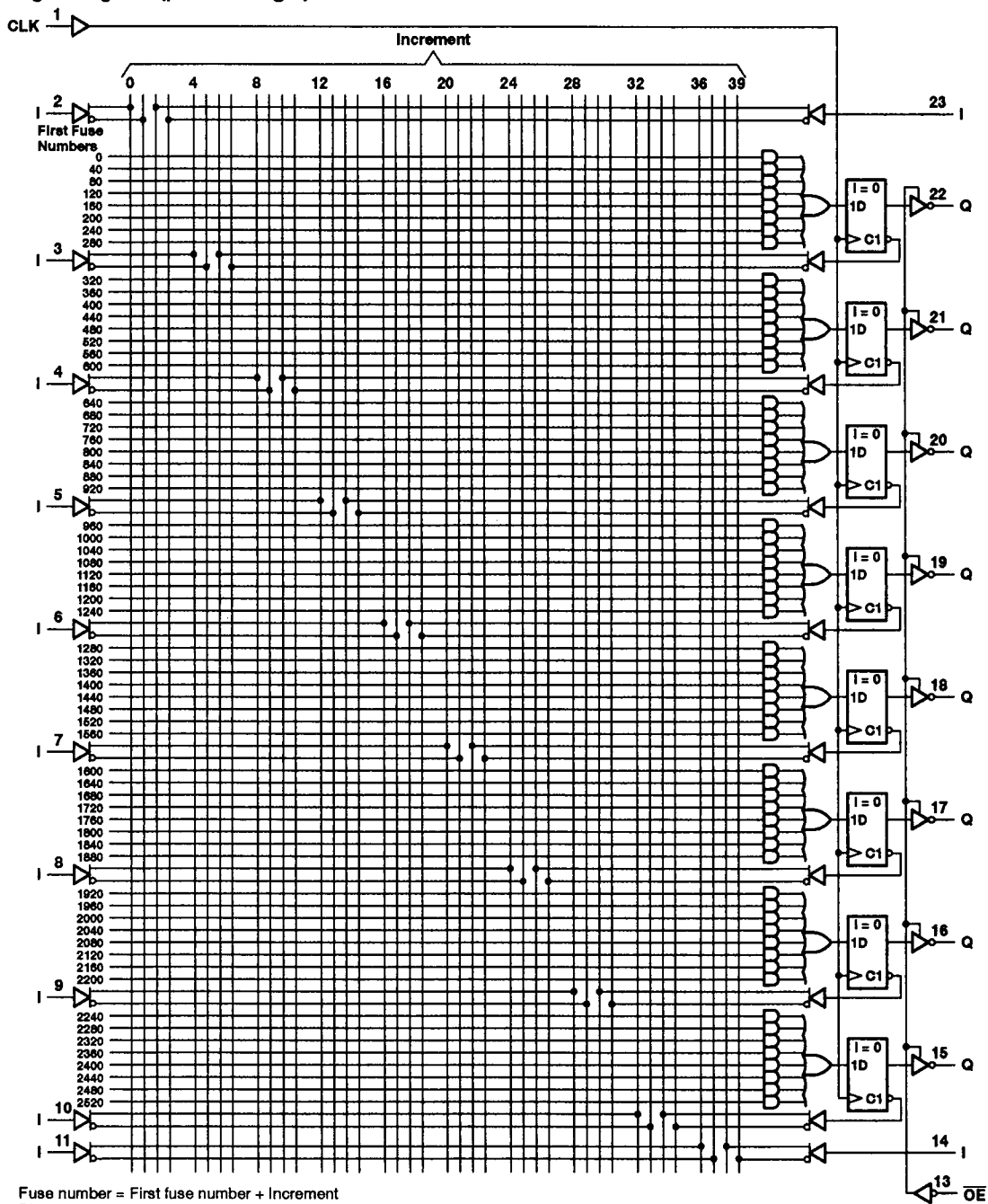


POST OFFICE BOX 655303 • DALLAS, TEXAS 75265

# TIBPAL20R8-10C HIGH-PERFORMANCE *IMPACT-X*™ PAL® CIRCUITS

SRPS008A - D3336, OCTOBER 1989 - REVISED MARCH 1992

## logic diagram (positive logic)



Fuse number = First fuse number + Increment  
Pin numbers shown are for JT and NT packages.





# TIBPAL20L8-10C, TIBPAL20R4-10C, TIBPAL20R6-10C, TIBPAL20R8-10C HIGH-PERFORMANCE *IMPACT-X*<sup>™</sup> PAL<sup>®</sup> CIRCUITS

SRPS008A – D3336, OCTOBER 1989 – REVISED MARCH 1992

## absolute maximum ratings over operating free-air temperature range (unless otherwise noted)

Supply voltage, $V_{CC}$ (see Note 1) .....	7 V
Input voltage (see Note 1) .....	5.5 V
Voltage applied to disabled output (see Note 1) .....	5.5 V
Operating free-air temperature range .....	0°C to 75°C
Storage temperature range .....	–65°C to 150°C

NOTE 1: These ratings apply except for programming pins during a programming cycle.

## recommended operating conditions

		MIN	NOM	MAX	UNIT
$V_{CC}$ Supply voltage		4.75	5	5.25	V
$V_{IH}$ High-level input voltage		2		5.5	V
$V_{IL}$ Low-level input voltage				0.8	V
$I_{OH}$ High-level output current				–3.2	mA
$I_{OL}$ Low-level output current				24	mA
$f_{clock}^{\dagger}$ Clock frequency		0		71.4	MHz
$t_w^{\dagger}$ Pulse duration, clock (see Note 2)	High	7			ns
	Low	7			
$t_{su}^{\dagger}$ Setup time, input or feedback before clock $\uparrow$		10			ns
$t_h^{\dagger}$ Hold time, input or feedback after clock $\uparrow$		0			ns
$T_A$ Operating free-air temperature		0	25	75	°C

<sup>†</sup>  $f_{clock}$ ,  $t_w$ ,  $t_{su}$ , and  $t_h$  do not apply for TIBPAL20L8<sup>†</sup>.

NOTE 2: These are absolute voltage levels with respect to the ground pin of the device and include all overshoots due to system and/or tester noise. Testing these parameters should not be attempted without suitable equipment.



# TIBPAL20L8-10C, TIBPAL20R4-10C, TIBPAL20R6-10C, TIBPAL20R8-10C HIGH-PERFORMANCE *IMPACT-X*™ *PAL*® CIRCUITS

SRPS008A – D3336, OCTOBER 1989 – REVISED MARCH 1992

## electrical characteristics over recommended operating free-air temperature range

PARAMETER		TEST CONDITIONS		MIN	TYP†	MAX	UNIT
$V_{IK}$		$V_{CC} = 4.75\text{ V}$ ,	$I_I = -18\text{ mA}$	-0.8	-1.5		V
$V_{OH}$		$V_{CC} = 4.75\text{ V}$ ,	$I_{OH} = -3.2\text{ mA}$	2.4			V
$V_{OL}$		$V_{CC} = 4.75\text{ V}$ ,	$I_{OL} = 24\text{ mA}$		0.3	0.5	V
$I_{OZH}‡$	O, Q outputs	$V_{CC} = 5.25\text{ V}$ ,	$V_O = 2.7\text{ V}$			20	$\mu\text{A}$
	I/O ports					100	
$I_{OZL}‡$	O, Q outputs	$V_{CC} = 5.25\text{ V}$ ,	$V_O = 0.4\text{ V}$			-20	$\mu\text{A}$
	I/O ports					-100	
$I_I$		$V_{CC} = 5.25\text{ V}$ ,	$V_I = 5.5\text{ V}$			0.2	mA
$I_{IH}‡$		$V_{CC} = 5.25\text{ V}$ ,	$V_I = 2.7\text{ V}$			25	$\mu\text{A}$
$I_{IL}‡$		$V_{CC} = 5.25\text{ V}$ ,	$V_I = 0.4\text{ V}$			-0.25	mA
$I_{OS}§$		$V_{CC} = 5.25\text{ V}$ ,	$V_O = 0.5\text{ V}$	-30	-70	-130	mA
$I_{CC}$		$V_{CC} = 5.25\text{ V}$ ,	$V_I = 0$ , Outputs open, $\overline{OE} = V_{IH}$			210	mA
$C_i$		$f = 1\text{ MHz}$ ,	$V_I = 2\text{ V}$		7		pF
$C_o$		$f = 1\text{ MHz}$ ,	$V_O = 2\text{ V}$		8		pF
$C_{clk}$		$f = 1\text{ MHz}$ ,	$V_{CLK} = 2\text{ V}$		12		pF

## switching characteristics over recommended ranges of supply voltage and operating free-air temperature (unless otherwise noted)

PARAMETER	FROM (INPUT)	TO (OUTPUT)	TEST CONDITION	MIN	TYP†	MAX	UNIT	
$f_{max}¶$	without feedback		R1 = 200 $\Omega$ , R2 = 390 $\Omega$ , See Figure 6	71.4			MHz	
	with internal feedback (counter configuration)			58.8				
	with external feedback			55.5				
$t_{pd}$	I, I/O	O, I/O			3	8	10	
$t_{pd}$	CLK↑	Q			2	5	8	ns
$t_{pd}^\#$	CLK↑	Feedback input					7	ns
$t_{en}$	OE↓	Q		2	6	10	ns	
$t_{dis}$	OE↑	Q		2	6	10	ns	
$t_{en}$	I, I/O	O, I/O		3	8	10	ns	
$t_{dis}$	I, I/O	O, I/O		2	8	10	ns	
$t_{sk(o)}  $	Skew between registered outputs				0.5		ns	

† All typical values are at  $V_{CC} = 5\text{ V}$ ,  $T_A = 25^\circ\text{C}$ .

‡ I/O leakage is the worst case of  $I_{OZL}$  and  $I_{IL}$  or  $I_{OZH}$  and  $I_{IH}$  respectively.

§ Not more than one output should be shorted at a time, and the duration of the short circuit should not exceed one second.  $V_O$  is set at 0.5 V to avoid test problems caused by test equipment ground degradation.

¶ See section for  $f_{max}$  specifications.  $f_{max}$  does not apply for TIBPAL20L8'.

# This parameter applies to TIBPAL20R4' and TIBPAL20R6' only (see Figure 4 for illustration) and is calculated from the measured  $f_{max}$  with internal feedback in the counter configuration.

|| This parameter is the measurement of the difference between the fastest and slowest  $t_{pd}$  (CLK-to-Q) observed when multiple registered outputs are switching in the same direction.



## programming information

Texas Instruments programmable logic devices can be programmed using widely available software and inexpensive device programmers.

Complete programming specifications, algorithms, and the latest information on hardware, software, and firmware are available upon request. Information on programmers capable of programming Texas Instruments programmable logic is also available, upon request, from the nearest TI field sales office, local authorized TI distributor, or by calling Texas Instruments at (214) 997-5666.

## preload procedure for registered outputs (see Figure 1 and Note 3)

The output registers can be preloaded to any desired state during device testing. This permits any state to be tested without having to step through the entire state-machine sequence. Each register is preloaded individually by following the steps given below.

- Step 1. With  $V_{CC}$  at 5 volts and Pin 1 at  $V_{IL}$ , raise Pin 13 to  $V_{IHH}$ .
- Step 2. Apply either  $V_{IL}$  or  $V_{IH}$  to the output corresponding to the register to be preloaded.
- Step 3. Pulse Pin 1, clocking in preload data.
- Step 4. Remove output voltage, then lower Pin 13 to  $V_{IL}$ . Preload can be verified by observing the voltage level at the output pin.

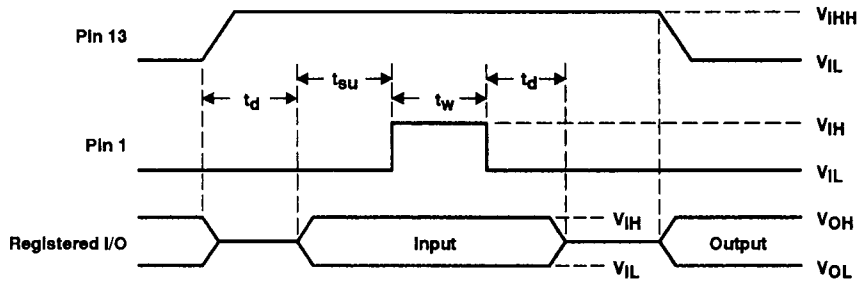


Figure 1. Preload Waveforms

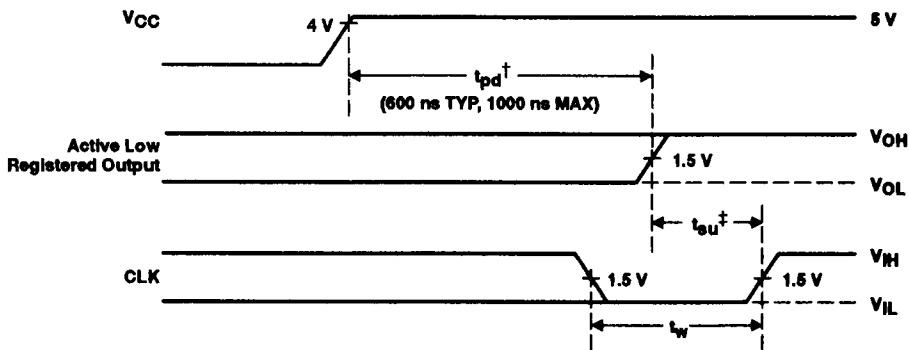
NOTE 3:  $t_d = t_{su} = t_h = 100$  ns to  $1000$  ns  $V_{IHH} = 10.25$  V to  $10.75$  v

# TIBPAL20L8-10C, TIBPAL20R4-10C, TIBPAL20R6-10C, TIBPAL20R8-10C HIGH-PERFORMANCE *IMPACT-X*<sup>™</sup> PAL<sup>®</sup> CIRCUITS

SRPS008A – D3336, OCTOBER 1989 – REVISED MARCH 1992

## power-up reset (see Figure 2)

Following power up, all registers are reset to zero. This feature provides extra flexibility to the system designer and is especially valuable in simplifying state-machine initialization. To ensure a valid power-up reset, it is important that the rise of  $V_{CC}$  be monotonic. Following power-up reset, a low-to-high clock transition must not occur until all applicable input and feedback setup times are met.



<sup>†</sup> This is the power-up reset time and applies to registered outputs only. The values shown are from characterization data.

<sup>‡</sup> This is the setup time for input or feedback.

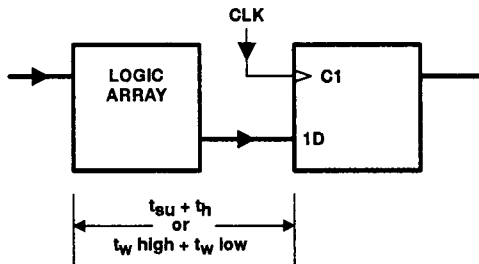
Figure 2. Power-Up Reset Waveforms

**f<sub>max</sub> SPECIFICATIONS**

**f<sub>max</sub> without feedback, see Figure 3**

In this mode, data is presented at the input to the flip-flop and clocked through to the Q output with no feedback. Under this condition, the clock period is limited by the sum of the data setup time and the data hold time (t<sub>su</sub> + t<sub>h</sub>). However, the minimum f<sub>max</sub> is determined by the minimum clock period (t<sub>w high</sub> + t<sub>w low</sub>).

$$\text{Thus, } f_{\text{max}} \text{ without feedback} = \frac{1}{(t_{\text{w high}} + t_{\text{w low}})} \text{ or } \frac{1}{(t_{\text{su}} + t_{\text{h}})}.$$



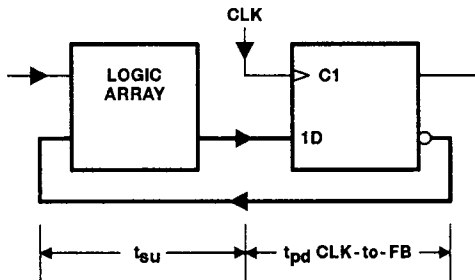
**Figure 3. f<sub>max</sub> Without Feedback**

**f<sub>max</sub> with internal feedback, see Figure 4**

This configuration is most popular in counters and on-chip state-machine designs. The flip-flop inputs are defined by the device inputs and flip-flop outputs. Under this condition, the period is limited by the internal delay from the flip-flop outputs through the internal feedback and logic array to the inputs of the next flip-flop.

$$\text{Thus, } f_{\text{max}} \text{ with internal feedback} = \frac{1}{(t_{\text{su}} + t_{\text{pd CLK-to-FB}})}.$$

Where t<sub>pd CLK-to-FB</sub> is the deduced value of the delay from CLK to the input of the logic array.



**Figure 4. f<sub>max</sub> With Internal Feedback**

# TIBPAL20L8-10C, TIBPAL20R4-10C, TIBPAL20R6-10C, TIBPAL20R8-10C HIGH-PERFORMANCE *IMPACT-X*™ *PAL*® CIRCUITS

SRPS008A – D3336, OCTOBER 1989 – REVISED MARCH 1992

## $f_{\max}$ SPECIFICATIONS

### $f_{\max}$ with external feedback, see Figure 5

This configuration is a typical state-machine design with feedback signals sent off-chip. This external feedback could go back to the device inputs or to a second device in a multi-chip state machine. The slowest path defining the period is the sum of the clock-to-output time and the input setup time for the external signals ( $t_{su} + t_{pd \text{ CLK-to-Q}}$ ).

$$\text{Thus, } f_{\max} \text{ with external feedback} = \frac{1}{(t_{su} + t_{pd \text{ CLK-to-Q}})}$$

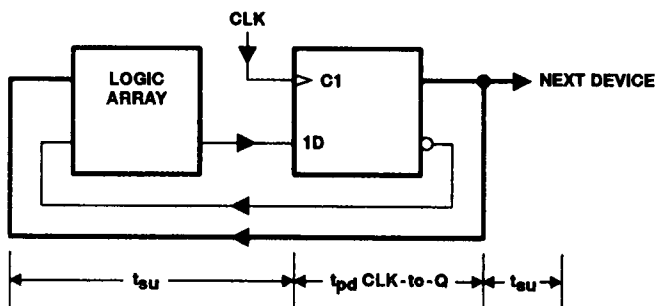
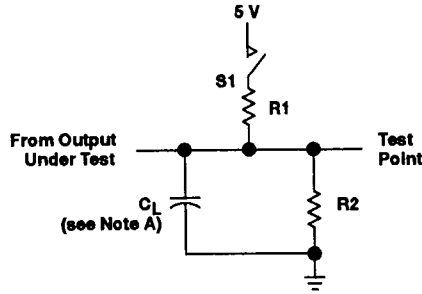
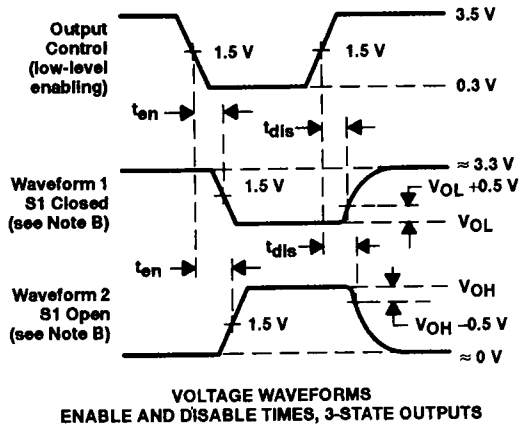
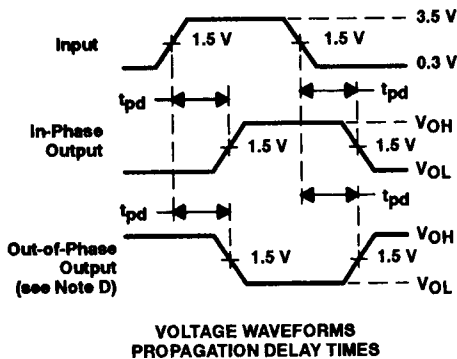
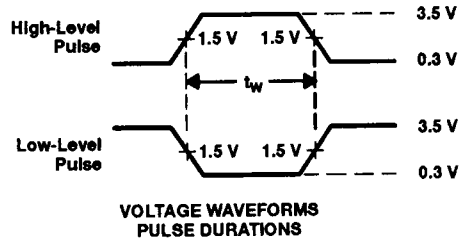
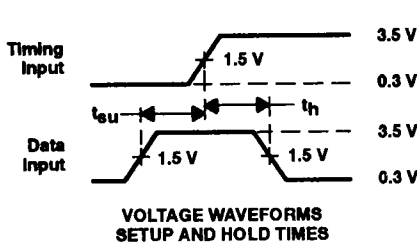


Figure 5.  $f_{\max}$  With External Feedback

PARAMETER MEASUREMENT INFORMATION



LOAD CIRCUIT FOR 3-STATE OUTPUTS



- NOTES: A.  $C_L$  includes probe and jig capacitance and is 50 pF for  $t_{pd}$  and  $t_{en}$ , 5 pF for  $t_{dis}$ .  
 B. Waveform 1 is for an output with internal conditions such that the output is low except when disabled by the output control. Waveform 2 is for an output with internal conditions such that the output is high except when disabled by the output control.  
 C. All input pulses have the following characteristics:  $PRR \leq 1$  MHz,  $t_r = t_f \leq 2$  ns, duty cycle = 50%.  
 D. When measuring propagation delay times of 3-state outputs, switch S1 is closed.  
 E. Equivalent loads may be used for testing.

Figure 6. Load Circuit and Voltage Waveforms

TIBPAL20L8-10C, TIBPAL20R4-10C, TIBPAL20R6-10C, TIBPAL20R8-10C  
 HIGH-PERFORMANCE *IMPACT-X*™ PAL® CIRCUITS

SRPS008A - D3336, OCTOBER 1989 - REVISED MARCH 1992

TYPICAL CHARACTERISTICS

SUPPLY CURRENT  
 vs  
 FREE-AIR TEMPERATURE

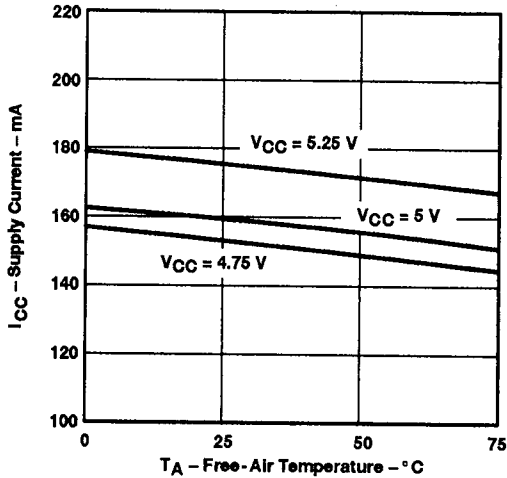


Figure 7

PROPAGATION DELAY TIME  
 vs  
 SUPPLY VOLTAGE

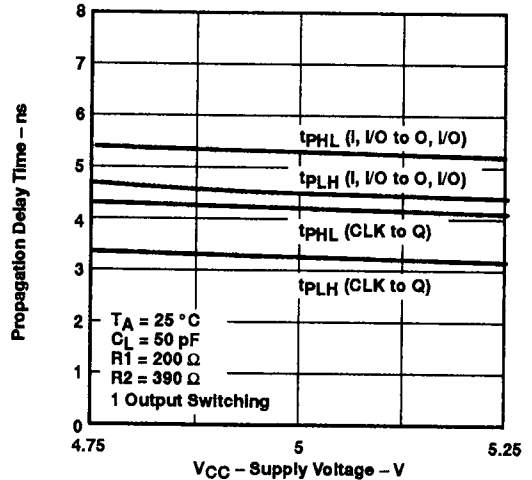


Figure 8

PROPAGATION DELAY TIME  
 vs  
 FREE-AIR TEMPERATURE

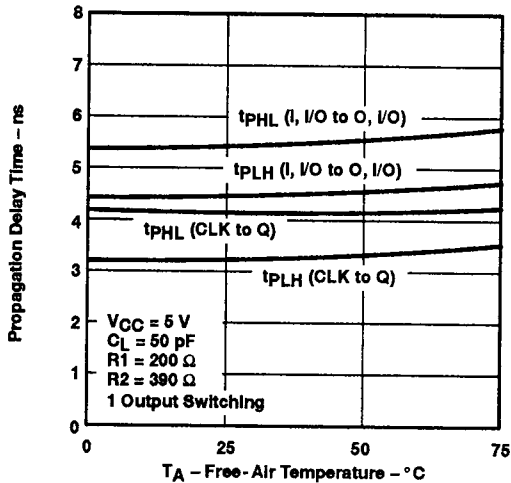


Figure 9

PROPAGATION DELAY TIME  
 vs  
 LOAD CAPACITANCE

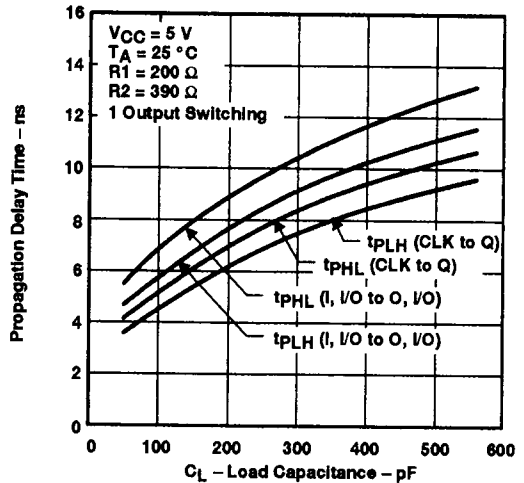


Figure 10





TYPICAL CHARACTERISTICS

POWER DISSIPATION  
 vs  
 FREQUENCY  
 8-BIT COUNTER MODE

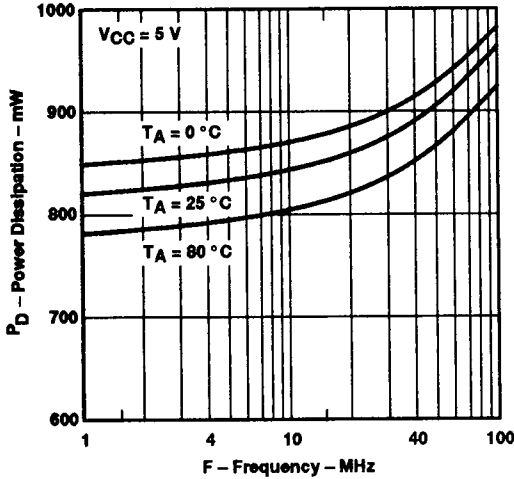


Figure 11

PROPAGATION DELAY TIME†  
 vs  
 NUMBER OF OUTPUTS SWITCHING

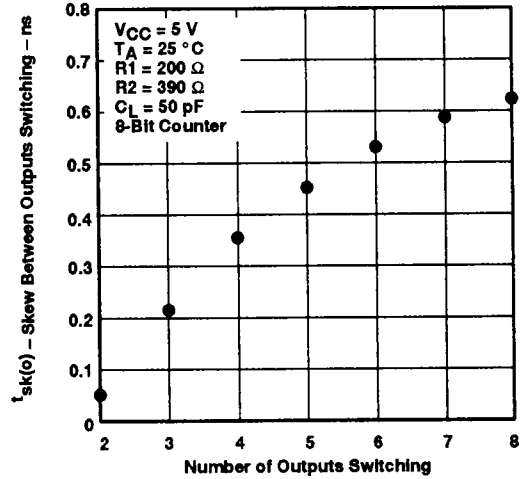


Figure 12

PROPAGATION DELAY TIME  
 vs  
 NUMBER OF OUTPUTS SWITCHING

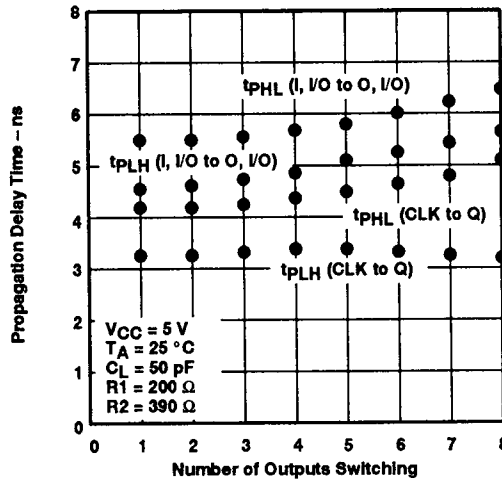


Figure 13

†Outputs switching in the same direction ( $t_{PLH}$  compared to  $t_{PLH}/t_{PHL}$  to  $t_{PHL}$ )