

**3.3 V 8M × 64/72-Bit 1 Bank SDRAM Module**  
**3.3 V 16M × 64/72-Bit 2 Bank SDRAM Module**

**HYS 64/72V8200GU**  
**HYS 64/72V16220GU**

## 168 pin unbuffered DIMM Modules

- 168 Pin PC100-compatible unbuffered 8 Byte Dual-In-Line SDRAM Modules for PC main memory applications
- 1 bank 8M × 64, 8M × 72 and 2 bank 16M × 64, 16M × 72 organization
- Optimized for byte-write non-parity or ECC applications
- JEDEC standard Synchronous DRAMs (SDRAM)
- Fully PC board layout compatible to INTEL's Rev. 1.0 module specification
- SDRAM Performance

		-8	-8B	-10	Units
$f_{CK}$	Clock frequency (max.)	100	100	66	MHz
$t_{AC}$	Clock access time	6	6	8	ns

- Programmed Latencies

Product Speed		CL	$t_{RCD}$	$t_{RP}$
-8	PC100	2	2	2
-8B	PC100	3	2	3
-10	PC66	2	2	2

- Single + 3.3 V (± 0.3 V ) power supply
- Programmable  $\overline{CAS}$  Latency, Burst Length and Wrap Sequence (Sequential & Interleave)
- Auto Refresh (CBR) and Self Refresh
- Decoupling capacitors mounted on substrate
- All inputs, outputs are LVTTTL compatible
- Serial Presence Detect with E<sup>2</sup>PROM
- Utilizes 8M × 8 SDRAMs in TSOPII-54 packages
- 4096 refresh cycles every 64 ms
- 133.35 mm × 31.75 mm × 4.00 mm card size with gold contact pads

The HYS 64(72)8200 and HYS 64(72)16220 are industry standard 168-pin 8-byte Dual in-line Memory Modules (DIMMs) which are organized as 8M × 64, 8M × 72 in 1 bank and 16M × 64 and 16M × 72 in two banks high speed memory arrays designed with 64M Synchronous DRAMs (SDRAMs) for non-parity and ECC applications. The DIMMs use -8 and -8B speed sort 8M 8 SDRAM devices in TSOP-54 packages to meet the PC100 requirement. Modules which use -10 parts are suitable for PC66 applications only. Decoupling capacitors are mounted on the PC board. The PC board design is according to INTEL's PC SDRAM Rev. 1.0 module specification.

The DIMMs have a serial presence detect, implemented with a serial E<sup>2</sup>PROM using the two pin I<sup>2</sup>C protocol. The first 128 bytes are utilized by the DIMM manufacturer and the second 128 bytes are available to the end user.

All SIEMENS 168-pin DIMMs provide a high performance, flexible 8-byte interface in a 133.35 mm long footprint, with 1.25" ( 31.75 mm) height.

### Ordering Information

Type	Ordering Code	Package	Descriptions	Module Height
HYS 64V8200GU-8	PC100-222-620	L-DIM-168-30	100 MHz 8M × 64 1 bank SDRAM module	1.25"
HYS 72V8200GU-8	PC100-222-620	L-DIM-168-30	100 MHz 8M × 72 1 bank SDRAM module	1.25"
HYS 64V16220GU-8	PC100-222-620	L-DIM-168-30	100 MHz 16M × 64 2 bank SDRAM module	1.25"
HYS 72V16220GU-8	PC100-222-620	L-DIM-168-30	100 MHz 16M × 72 2 bank SDRAM module	1.25"
HYS 64V8200GU-8B	PC100-323-620	L-DIM-168-30	100 MHz 8M × 64 1 bank SDRAM module	1.25"
HYS 64V16220GU-8B	PC100-323-620	L-DIM-168-30	100 MHz 16M × 64 2 bank SDRAM module	1.25"
HYS 64V8200GU-10	PC66-222-920	L-DIM-168-30	66 MHz 8M × 64 1 bank SDRAM module	1.25"
HYS 72V8200GU-10	PC66-222-920	L-DIM-168-30	66 MHz 8M × 72 1 bank SDRAM module	1.25"
HYS 64V16220GU-10	PC66-222-920	L-DIM-168-30	66 MHz 16M × 64 2 bank SDRAM module	1.25"
HYS 72V16220GU-10	PC66-222-920	L-DIM-168-30	66 MHz 16M × 72 2 bank SDRAM module	1.25"

### Pin Names

A0 - A11	Address Inputs	CLK0 - CLK3	Clock Input
BA0, BA1	Bank Selects	DQMB0 - DQMB7	Data Mask
DQ0 - DQ63	Data Input/Output	$\overline{CS0} - \overline{CS3}$	Chip Select
CB0 - CB7	Check Bits ( $\times 72$ organization only)	$V_{CC}$	Power (+ 3.3 Volt)
$\overline{RAS}$	Row Address Strobe	$V_{SS}$	Ground
$\overline{CAS}$	Column Address Strobe	SCL	Clock for Presence Detect
$\overline{WE}$	Read/Write Input	SDA	Serial Data Out for Presence Detect
$\overline{CKE0}, \overline{CKE1}$	Clock Enable	N.C.	No Connection

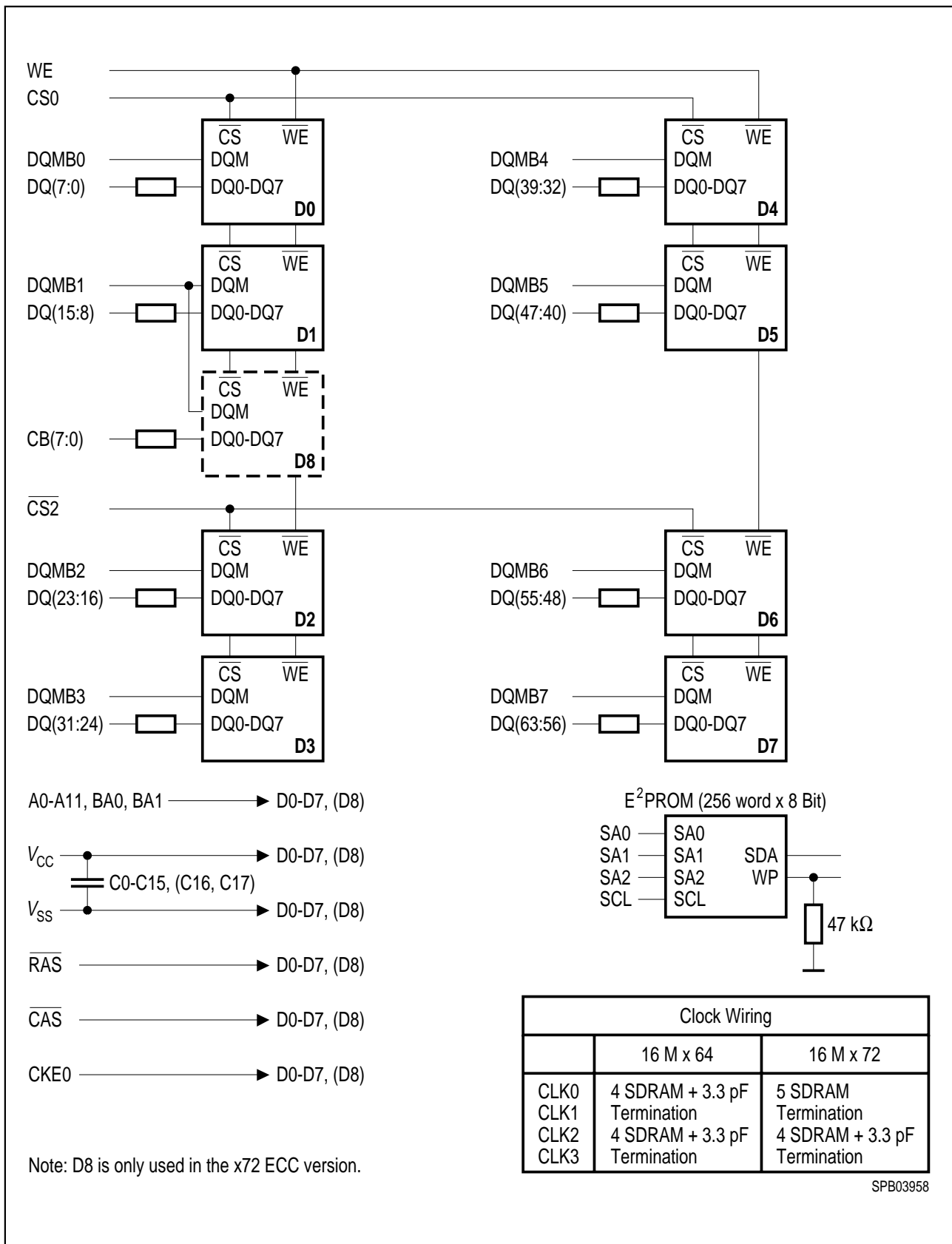
### Address Format

	Part Number	Rows	Columns	Bank Select	Refresh	Period	Interval
8M $\times$ 64	HYS 64V8200GU	12	9	2	4k	64 ms	15.6 $\mu$ s
8M $\times$ 72	HYS 72V8200GU	12	9	2	4k	64 ms	15.6 $\mu$ s
16M $\times$ 64	HYS 64V16220GU	12	9	2	4k	64 ms	15.6 $\mu$ s
16M $\times$ 72	HYS 72V16220GU	12	9	2	4k	64 ms	15.6 $\mu$ s

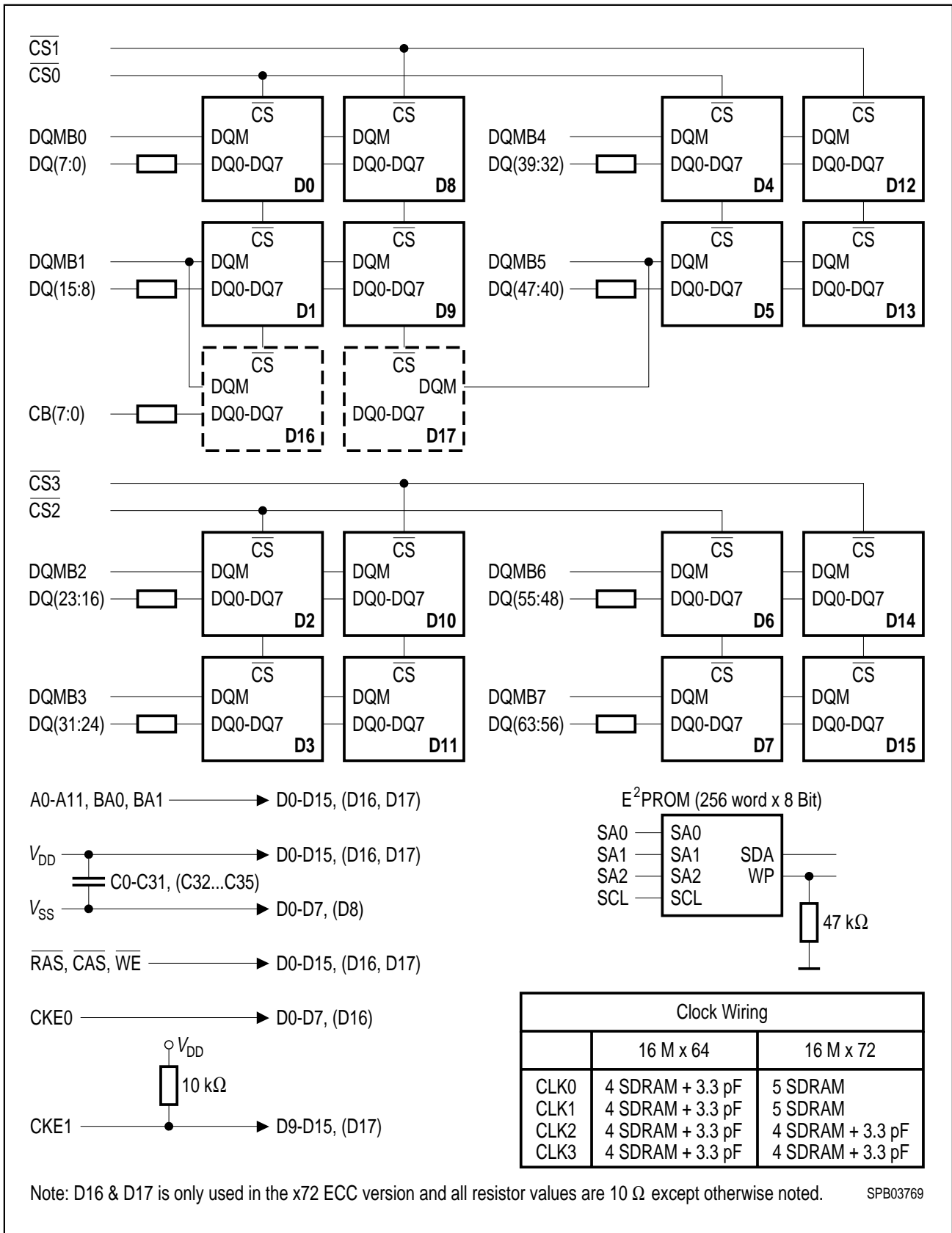
### Pin Configuration

PIN #	Symbol	PIN #	Symbol	PIN #	Symbol	PIN #	Symbol
1	V <sub>SS</sub>	43	V <sub>SS</sub>	85	V <sub>SS</sub>	127	V <sub>SS</sub>
2	DQ0	44	DU	86	DQ32	128	CKE0
3	DQ1	45	$\overline{CS2}$	87	DQ33	129	$\overline{CS3}$
4	DQ2	46	DQMB2	88	DQ34	130	DQMB6
5	DQ3	47	DQMB3	89	DQ35	131	DQMB7
6	V <sub>CC</sub>	48	DU	90	V <sub>CC</sub>	132	NC
7	DQ4	49	V <sub>CC</sub>	91	DQ36	133	V <sub>CC</sub>
8	DQ5	50	NC	92	DQ37	134	NC
9	DQ6	51	NC	93	DQ38	135	NC
10	DQ7	52	NC (CB2)	94	DQ39	136	CB6
11	DQ8	53	NC (CB3)	95	DQ40	137	CB7
12	V <sub>SS</sub>	54	V <sub>SS</sub>	96	V <sub>SS</sub>	138	V <sub>SS</sub>
13	DQ9	55	DQ16	97	DQ41	139	DQ48
14	DQ10	56	DQ17	98	DQ42	140	DQ49
15	DQ11	57	DQ18	99	DQ43	141	DQ50
16	DQ12	58	DQ19	100	DQ44	142	DQ51
17	DQ13	59	V <sub>CC</sub>	101	DQ45	143	V <sub>CC</sub>
18	V <sub>CC</sub>	60	DQ20	102	V <sub>CC</sub>	144	DQ52
19	DQ14	61	NC	103	DQ46	145	NC
20	DQ15	62	DU	104	DQ47	146	DU
21	NC (CB0)	63	$\overline{CKE1}$	105	NC (CB4)	147	NC
22	NC (CB1)	64	V <sub>SS</sub>	106	NC (CB5)	148	V <sub>SS</sub>
23	V <sub>SS</sub>	65	DQ21	107	V <sub>SS</sub>	149	DQ53
24	NC	66	DQ22	108	NC	150	DQ54
25	NC	67	DQ23	109	NC	151	DQ55
26	V <sub>CC</sub>	68	V <sub>SS</sub>	110	V <sub>CC</sub>	152	V <sub>SS</sub>
27	$\overline{WE}$	69	DQ24	111	$\overline{CAS}$	153	DQ56
28	DQMB0	70	DQ25	112	DQMB4	154	DQ57
29	DQMB1	71	DQ26	113	DQMB5	155	DQ58
30	$\overline{CS0}$	72	DQ27	114	$\overline{CS1}$	156	DQ59
31	DU	73	V <sub>CC</sub>	115	$\overline{RAS}$	157	V <sub>CC</sub>
32	V <sub>SS</sub>	74	DQ28	116	V <sub>SS</sub>	158	DQ60
33	A0	75	DQ29	117	A1	159	DQ61
34	A2	76	DQ30	118	A3	160	DQ62
35	A4	77	DQ31	119	A5	161	DQ63
36	A6	78	V <sub>SS</sub>	120	A7	162	V <sub>SS</sub>
37	A8	79	CLK2	121	A9	163	CLK3
38	A10	80	NC	122	BA0	164	NC
39	BA1	81	WP	123	A11	165	SA0
40	V <sub>CC</sub>	82	SDA	124	V <sub>CC</sub>	166	SA1
41	V <sub>CC</sub>	83	SCL	125	CLK1	167	SA2
42	CLK0	84	V <sub>CC</sub>	126	NC	168	V <sub>CC</sub>

Note: Pinnames in brackets are for the x72 ECC versions



Block Diagram for 8M × 64/72 SDRAM DIMM Modules (HYS 64/72V8200GU)



Block Diagram for 16M × 64/72 SDRAM DIMM Modules (HYS 64/72V1620GU)

### DC Characteristics

$T_A = 0$  to  $70$  °C;  $V_{SS} = 0$  V;  $V_{DD}, V_{DDQ} = 3.3$  V  $\pm$  0.3 V

Parameter	Symbol	Limit Values		Unit
		min.	max.	
Input high voltage	$V_{IH}$	2.0	$V_{CC} + 0.3$	V
Input low voltage	$V_{IL}$	- 0.5	0.8	V
Output high voltage ( $I_{OUT} = - 2.0$ mA)	$V_{OH}$	2.4	-	V
Output low voltage ( $I_{OUT} = 2.0$ mA)	$V_{OL}$	-	0.4	V
Input leakage current, any input ( $0$ V $<$ $V_{IN} <$ 3.6 V, all other inputs = 0 V)	$I_{I(L)}$	- 40	40	$\mu$ A
Output leakage current (DQ is disabled, $0$ V $<$ $V_{OUT} <$ $V_{CC}$ )	$I_{O(L)}$	- 40	40	$\mu$ A

### Capacitance

$T_A = 0$  to  $70$  °C;  $V_{DD} = 3.3$  V  $\pm$  0.3 V,  $f = 1$  MHz

Parameter	Symbol	Limit Values				Unit
		max. 8M $\times$ 64	max. 8M $\times$ 72	max. 16M $\times$ 64	max. 16M $\times$ 72	
Input capacitance (A0 to A11, BA0, BA1, $\overline{RAS}$ , $\overline{CAS}$ , $\overline{WE}$ )	$C_{I1}$	45	55	70	80	pF
Input capacitance ( $\overline{CS0} - \overline{CS3}$ )	$C_{I2}$	25	25	25	30	pF
Input capacitance (CLK0 - CLK3)	$C_{ICL}$	35	38	35	38	pF
Input capacitance ( $\overline{CKE0}$ , $\overline{CKE1}$ )	$C_{I3}$	35	38	35	38	pF
Input capacitance (DQMB0 - DQMB7)	$C_{I4}$	13	13	20	20	pF
Input/Output capacitance (DQ0 - DQ63, CB0 - CB7)	$C_{IO}$	10	10	15	15	pF
Input Capacitance (SCL, SA0 - 2)	$C_{SC}$	8	8	8	8	pF
Input/Output capacitance	$C_{SD}$	10	10	10	10	pF

**Operating Currents**

$T_A = 0$  to  $70\text{ }^\circ\text{C}$ ,  $V_{DD} = 3.3\text{ V} \pm 0.3\text{ V}$ <sup>1</sup>

Recommended Operating Conditions unless otherwise noted

Parameter & Test Condition		Symb.	-8/-8B	-10	Unit	Note
			max.			
Operating Current $t_{RC} = t_{RC(MIN.)}$ , $t_{CK} = t_{CK(MIN.)}$ Outputs open Burst length = 4, CL = 3 All banks operated in random access, all banks operated in ping-pong manner to maximize gapless data access		$I_{CC1}$	110	75	mA	<sup>1</sup>
Precharged Standby Current in Power Down Mode  $\overline{CS} = V_{IH(MIN.)}$ , $CKE \leq V_{IL(MAX.)}$	$t_{CK} = \text{min.}$	$I_{CC2P}$	2	2	mA	<sup>1</sup>
	$t_{CK} = \text{infinity}$	$I_{CC2PS}$	1	1	mA	<sup>1</sup>
Precharged Standby Current in Non-power Down Mode  $\overline{CS} = V_{IH(MIN.)}$ , $CKE \geq V_{IH(MIN.)}$	$t_{CK} = \text{min.}$	$I_{CC2N}$	35	30	mA	<sup>1</sup>
	$t_{CK} = \text{infinity}$	$I_{CC2NS}$	5	5		<sup>1</sup>
No operating current  $t_{CK} = \text{min.}$ , $\overline{CS} = V_{IH(MIN.)}$ , active state (max. 4 banks)	$CKE \geq V_{IH(MIN.)}$	$I_{CC3N}$	45	40	mA	<sup>1</sup>
	$CKE \leq V_{IL(MAX.)}$	$I_{CC3P}$	8	8	mA	<sup>1</sup>
Burst operating current $t_{CK} = \text{min.}$ , Read command cycling	–	$I_{CC4}$	70	50	mA	<sup>1, 2</sup>
Auto refresh current $t_{CK} = \text{min.}$ , Auto Refresh command cycling	–	$I_{CC5}$	130	90	mA	<sup>1</sup>
Self refresh current Self Refresh Mode, $CKE = 0.2\text{ V}$	standard version	$I_{CC6}$	1	1	mA	<sup>1</sup>



**AC Characteristics** <sup>3, 4</sup>

$T_A = 0$  to  $70$  °C;  $V_{SS} = 0$  V;  $V_{CC} = 3.3$  V  $\pm$  0.3 V,  $t_T = 1$  ns

Parameter	Symbol	Limit Values						Unit	Note
		-8 PC100-222		-8B PC100-323		-10 PC66			
		min.	max.	min.	max.	min.	max.		

**Clock and Clock Enable**

Clock Cycle Time CAS Latency = 3 CAS Latency = 2	$t_{CK}$	10	–	10	–	10	–	ns	
		10	–	12	–	15	–	ns	
System Frequency CAS Latency = 3 CAS Latency = 2	$f_{CK}$	–	100	–	100	–	100	MHz	
		–	100	–	83	–	66	MHz	
Clock Access Time CAS Latency = 3 CAS Latency = 2	$t_{AC}$	–	6	–	6	–	8	ns	4, 5
		–	6	–	7	–	9	ns	
Clock High Pulse Width	$t_{CH}$	3	–	3	–	3.5	–	ns	6
Clock Low Pulse Width	$t_{CL}$	3	–	3	–	3.5	–	ns	6
Input Setup Time	$t_{CS}$	2	–	2	–	3	–	ns	7
Input Hold Time	$t_{CH}$	1	–	1	–	1	–	ns	7
CKE Setup Time (Power down mode)	$t_{CKSP}$	2.5	–	2.5	–	3	–	ns	8
CKE Setup Time (Self Refresh Exit)	$t_{CKSR}$	8	–	10	–	8	–	ns	9
Transition Time (rise and fall)	$t_T$	1	–	1	–	1	–	ns	

**Common Parameters**

RAS to CAS delay	$t_{RCD}$	20	–	20	–	30	–	ns	
Precharge Time	$t_{RP}$	20	–	30	–	30	–	ns	
Active Command Period	$t_{RAS}$	50	100k	60	100k	70	100k	ns	
Cycle Time	$t_{RC}$	70	–	80	–	80	–	ns	
Bank to Bank Delay Time	$t_{RRD}$	16	–	20	–	20	–	ns	
CAS to CAS Delay Time (same bank)	$t_{CCD}$	1	–	1	–	1	–	CLK	

### AC Characteristics (cont'd)<sup>3, 4</sup>

$T_A = 0$  to  $70$  °C;  $V_{SS} = 0$  V;  $V_{CC} = 3.3$  V  $\pm$  0.3 V,  $t_T = 1$  ns

Parameter	Symbol	Limit Values						Unit	Note
		-8 PC100-222		-8B PC100-323		-10 PC66			
		min.	max.	min.	max.	min.	max.		

### Refresh Cycle

Refresh Period (4096 cycles)	$t_{REF}$	–	64	–	64	–	64	ms	<sup>8</sup>
Self Refresh Exit Time	$t_{SREX}$	10	–	10	–	10	–	ns	<sup>9</sup>

### Read Cycle

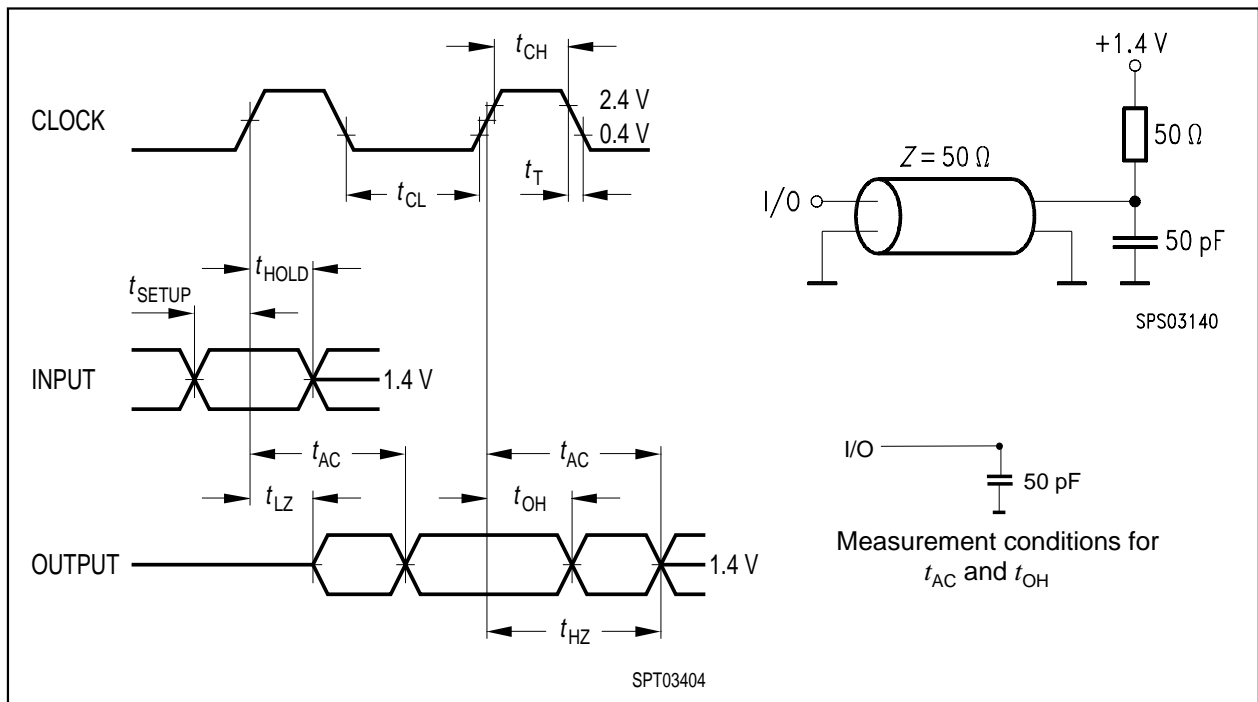
Data Out Hold Time	$t_{OH}$	3	–	3	–	3	–	ns	<sup>4</sup>
Data Out to Low Impedance	$t_{LZ}$	0	–	0	–	0	–	ns	
Data Out to High Impedance	$t_{HZ}$	3	8	3	10	3	10	ns	<sup>10</sup>
DQM Data Out Disable Latency	$t_{DQZ}$	–	2	–	2	–	2	CLK	

### Write Cycle

Data input to Precharge (write recovery)	$t_{DPL}$	2	–	2	–	2	–	CLK	
Data In to Active/Refresh	$t_{DAL}$	5	–	5	–	5	–	CLK	
DQM Write Mask Latency	$t_{DQW}$	0	–	0	–	0	–	CLK	

Notes

1. The specified values are valid when addresses are changed no more than once during  $t_{CK(MIN.)}$  and when No Operation commands are registered on every rising clock edge during  $t_{RC(MIN.)}$ . Values are shown per module bank.
2. The specified values are valid when data inputs (DQ's) are stable during  $t_{RC(MIN.)}$ .
3. All AC characteristics are shown for device level.  
An initial pause of 100  $\mu$ s is required after power-up, then a Precharge All Banks command must be given followed by 8 Auto Refresh (CBR) cycles before the Mode Register Set Operation can begin.
4. AC timing tests have  $V_{IL} = 0.4$  V and  $V_{IH} = 2.4$  V with the timing referenced to the 1.4 V crossover point. The transition time is measured between  $V_{IH}$  and  $V_{IL}$ . All AC measurements assume  $t_T = 1$  ns with the AC output load circuit show. Specified  $t_{AC}$  and  $t_{OH}$  parameters are measured with a 50 pF only, without any resistive termination and with a input signal of 1V/ns edge rate between 0.8 V and 2.0 V.



5. If clock rising time is longer than 1ns, a time  $(t_T/2 - 0.5)$  ns has to be added to this parameter.
6. Rated at 1.5 V
7. If  $t_T$  is longer than 1 ns, a time  $(t_T - 1)$  ns has to be added to this parameter.
8. Any time that the refresh Period has been exceeded, a minimum of two Auto (CBR) Refresh commands must be given to "wake-up" the device.
9. Self Refresh Exit is a synchronous operation and begins on the 2nd positive clock edge after CKE returns high. Self Refresh Exit is not complete until a time period equal to  $t_{RC}$  is satisfied once the Self Refresh Exit command is registered.
10. Referenced to the time which the output achieves the open circuit condition, not to output voltage levels.

A serial presence detect storage device - E<sup>2</sup>PROM - is assembled onto the module. Information about the module configuration, speed, etc. is written into the E<sup>2</sup>PROM device during module production using a serial presence detect protocol (I<sup>2</sup>C synchronous 2-wire bus).

### SPD-Table for PC100 Modules

Byte#	Description	SPD Entry Value	Hex					
			8M×64 -8	8M×64 -8B	8M×72 -8	16M×64 -8	16M×64 -8B	16M×72 -8
0	Number of SPD bytes	128	80	80	80	80	80	80
1	Total bytes in Serial PD	256	08	08	08	08	08	08
2	Memory Type	SDRAM	04	04	04	04	04	04
3	Number of Row Addresses (without BS bits)	12	0C	0C	0C	0C	0C	0C
4	Number of Column Addresses (for 8M × 8 SDRAMs)	9	09	09	09	09	09	09
5	Number of DIMM Banks	1/2	01	01	01	02	02	02
6	Module Data Width	64/72	40	40	48	40	40	48
7	Module Data Width (cont'd)	0	00	00	00	00	00	00
8	Module Interface Levels	LVTTL	01	01	01	01	01	01
9	SDRAM Cycle Time at CL= 3	10.0 ns	A0	A0	A0	A0	A0	A0
10	SDRAM Access time from Clock at CL = 3	6.0 ns	60	60	60	60	60	60
11	Dimm Config (Error Det/Corr.)	none/ECC	00	00	02	00	00	02
12	Refresh Rate/Type	Self Refresh15.6 μs	80	80	80	80	80	80
13	SDRAM width, Primary	× 8	08	08	08	08	08	08
14	Error Checking SDRAM data width	n/a /× 8	00	00	08	00	00	08

**SPD-Table for PC100 Modules (cont'd)**

Byte#	Description	SPD Entry Value	Hex					
			8M×64 -8	8M×64 -8B	8M×72 -8	16M×64 -8	16M×64 -8B	16M×72 -8
15	Minimum clock delay for back-to-back random column address	$t_{CCD} = 1$ CLK	01	01	01	01	01	01
16	Burst Length supported	1, 2, 4, 8 & full page	8F	8F	8F	8F	8F	8F
17	Number of SDRAM banks	4	04	04	04	04	04	04
18	Supported $\overline{\text{CAS}}$ Latencies	$\overline{\text{CAS}}$ latency = 2 & 3	06	06	06	06	06	06
19	CS Latencies	CS latency = 0	01	01	01	01	01	01
20	$\overline{\text{WE}}$ Latencies	Write latency = 0	01	01	01	01	01	01
21	SDRAM DIMM module attributes	non buffered/ non reg.	00	00	00	00	00	00
22	SDRAM Device Attributes: General	$V_{CC}$ tol $\pm$ 10%	06	06	06	06	06	06
23	Min. Clock Cycle Time at $\overline{\text{CAS}}$ Latency = 2	10.0/12.0 ns	A0	C0	A0	A0	C0	A0
24	Max. data access time from Clock for CL = 2	6.0/7.0 ns	60	70	60	60	60	60
25	Minimum Clock Cycle Time at CL = 1	not supported	FF	FF	FF	FF	FF	FF
26	Maximum Data Access Time from Clock at CL = 1	not supported	FF	FF	FF	FF	FF	FF
27	Minimum Row Precharge Time	20/30 ns	14	1E	14	14	1E	14
28	Minimum Row Active to Row Active delay $t_{RRD}$	16/20 ns	10	14	10	10	14	10

**SPD-Table for PC100 Modules (cont'd)**

Byte#	Description	SPD Entry Value	Hex					
			8M×64 -8	8M×64 -8B	8M×72 -8	16M×64 -8	16M×64 -8B	16M×72 -8
29	Minimum $\overline{\text{RAS}}$ to $\overline{\text{CAS}}$ delay $t_{\text{RCD}}$	20 ns	14	14	14	14	14	14
30	Minimum $\overline{\text{RAS}}$ pulse width $t_{\text{RAS}}$	45 ns	2D	2D	2D	2D	2D	2D
31	Module Bank Density (per bank)	64 MByte	10	10	10	10	10	10
32	SDRAM input setup time	2 ns	20	20	20	20	20	20
33	SDRAM input hold time	1 ns	10	10	10	10	10	10
34	SDRAM data input hold time	2 ns	20	20	20	20	20	20
35	SDRAM data input setup time	1 ns	10	10	10	10	10	10
62-61	Superset information (may be used in future)	–	FF	FF	FF	FF	FF	FF
62	SPD Revision	Revision 1.2	12	12	12	12	12	12
63	Checksum for bytes 0 - 62	–	D8	16	EA	D9	17	EB
64-125	Manufacturers information (optional) (FF <sub>H</sub> if not used)	–	XX	XX	XX	XX	XX	XX
126	Frequency Specification	100 MHz	64	64	64	64	64	64
127	100 MHz support details	–	AF	AD	AF	FF	FD	FF
128+	Unused storage locations	–	FF	FF	FF	FF	FF	FF

### SPD-Table for PC66 Modules

Byte#	Description	SPD Entry Value	Hex			
			8M×64 -10	8M×72 -10	16M×64 -10	16M×72 -10
0	Number of SPD bytes	128	80	80	80	80
1	Total bytes in Serial PD	256	08	08	08	08
2	Memory Type	SDRAM	04	04	04	04
3	Number of Row Addresses (without BS bits)	12	0C	0C	0C	0C
4	Number of Column Addresses (for x8 SDRAM)	9	09	09	09	09
5	Number of DIMM Banks	1/2	01	01	02	02
6	Module Data Width	64/72	40	48	40	48
7	Module Data Width (cont'd)	0	00	00	00	00
8	Module Interface Levels	LVTTL	01	01	01	01
9	SDRAM Cycle Time at CL = 3	10.0 ns	A0	A0	A0	A0
10	SDRAM Access time from Clock at C L= 3	8.0 ns	80	80	80	80
11	Dimm Config (Error Det/Corr.)	none/ECC	00	02	00	02
12	Refresh Rate/Type	Self Refresh 15.6 μs	80	80	80	80
13	SDRAMwidth, Primary	×8	08	08	08	08
14	Error Checking SDRAM data width	n/a/×8	00	08	00	08
15	Minimum clock delay for back-to-back random column address	$t_{CCD} = 1 \text{ CLK}$	01	01	01	01
16	Burst Length supported	1, 2, 4, 8 & full page	8F	8F	8F	8F
17	Number of SDRAM banks	4	04	04	04	04
18	Supported $\overline{\text{CAS}}$ Latencies	$\overline{\text{CAS}}$ latency = 2 & 3	06	06	06	06
19	CS Latencies	CS latency = 0	01	01	01	01
20	$\overline{\text{WE}}$ Latencies	Write latency = 0	01	01	01	01
21	SDRAM DIMM module attributes	non buffered/ non reg.	00	00	00	00

SPD-Table for PC66 Modules (cont'd)

Byte#	Description	SPD Entry Value	Hex			
			8M×64 -10	8M×72 -10	16M×64 -10	16M×72 -10
22	SDRAM Device Attributes: General	$V_{CC}$ tol $\pm$ 10%	06	06	06	06
23	Min. Clock Cycle Time at $\overline{CAS}$ Latency = 2	15.0 ns	F0	F0	F0	F0
24	Max. data access time from Clock for CL= 2	9.0 ns	90	90	90	90
25	Minimum Clock Cycle Time at CL = 1	not supported	FF	FF	FF	FF
26	Maximum Data Access Time from Clock at CL = 1	not supported	FF	FF	FF	FF
27	Minimum Row Precharge Time	30 ns	1E	1E	1E	1E
28	Minimum Row Active to Row Active delay $t_{RRD}$	20 ns	14	14	14	14
29	Minimum $\overline{RAS}$ to $\overline{CAS}$ delay $t_{RCD}$	30 ns	1E	1E	1E	1E
30	Minimum $\overline{RAS}$ pulse width $t_{RAS}$	45 ns	2D	2D	2D	2D
31	Module Bank Density (per bank)	64 MByte	10	10	10	10
32	SDRAM input setup time	3 ns	30	30	30	30
33	SDRAM input hold time	1 ns	10	10	10	10
34	SDRAM data input hold time	3 ns	30	30	30	30
35	SDRAM data input setup time	1 ns	10	10	10	10
62-61	Superset information (may be used in future)		FF	FF	FF	FF
62	SPD Revision	Revision 1.2	12	12	12	12
63	Checksum for bytes 0 - 62		B0	C2	B1	C3
64- 125	Manufacturers information (optional) (FF <sub>H</sub> if not used)		XX	XX	XX	XX
126	Frequency Specification	66 MHz	66	66	66	66
127	Details		AF	AF	FF	FF
128+	Unused storage locations		FF	FF	FF	FF



