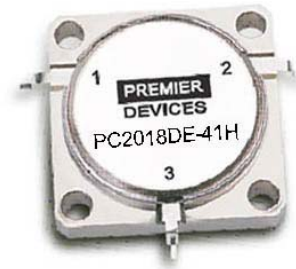


DROP-IN CIRCULATOR

Features

- Low Cost and **RoHS** Compliant
- Industry Standard 0.75 Inch Drop-in package
- Designed for Wireless Telecom Systems
- 50 Ohms Characteristic Impedance



Description

The PC2018DE-41H is a small low cost drop-in circulator designed for applications in high performance linear power amplifiers for wireless base stations. These circulators feature a robust construction for high reliability with excellent IMD performance. These circulators are built Lead-Free and RoHS compliant. CCW rotation and special tab offsets available on request. S-Parameters are also available on request.

Specifications

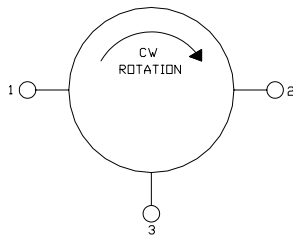
Parameter	Minimum	Typical	Maximum
Frequency Range (MHz)	2010		2025
Insertion Loss (dB)		.25	.30
Isolation (dB)	20	22	
Return Loss (dB)	20	22	
IMD (dBc) 2T x 37.5 Watts	-70	-75	

Absolute Maximum Ratings

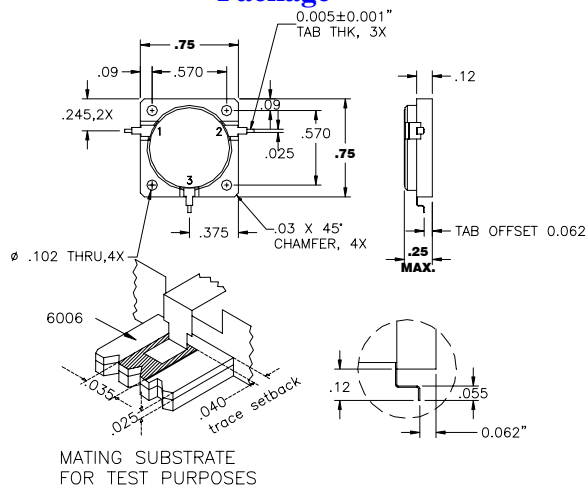
Parameter	Maximum
Power	100 Watts CW
Operating Temperature	-40 to +85 °C
Storage Temperature	-40 to +85 °C

Note: Typical values represent Mid-band performance @ 25°C.

Schematic



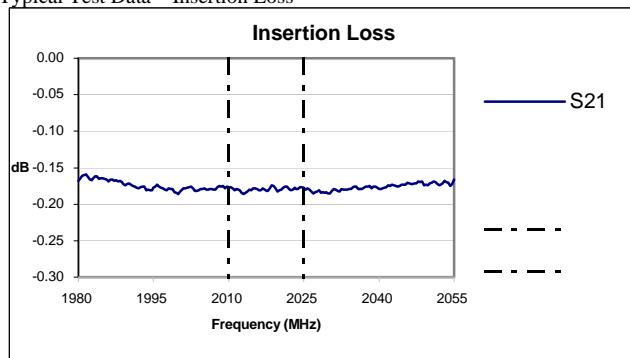
Package



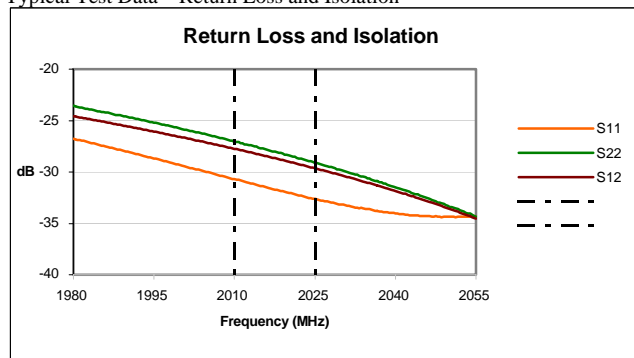
Pin Functions

Function	Pin
INPUT	1
OUTPUT	2
TERMINATED	3

Typical Test Data – Insertion Loss



Typical Test Data – Return Loss and Isolation



Specifications and information on this data sheet are subject to change without notice.