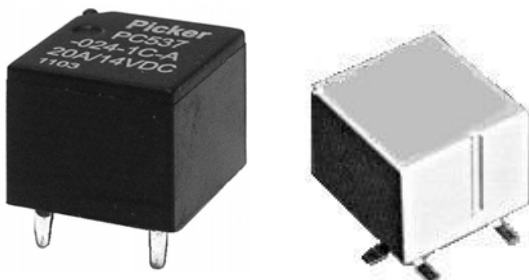


Ultraminiature Automotive PCB Power Relay

PC537



FEATURES

- Ultraminiature design very light weight
- Through hole or SMT construction
- Contact switching capacity up to 100 Amps
- Sealed, immersion cleanable
- 105 degrees C operating temperature

CONTACT RATINGS

Contact Form	1 Form A or 1 Form C SPST NO or SPDT
Max Switching Current	Make 100 Amps
	Break 30 Amps
Max. Switching Voltage	16 VDC
Max. Continuous Current	NO/30 Amps, NC/25 Amps
Minimum Load	0.5 Amps @ 12 VDC

CONTACT DATA

Material	AgNiO 15 (Silver Nickel Oxide 15%) AgSnOInO (Silver Tin Oxide Indium Oxide)	
Initial Contact Resistance	100 milliohms max @ 0.1A, 6VDC	
Service Life	Mechanical	1 X 10 ⁷ Operations
	Electrical	1 X 10 ⁵ Operations

CHARACTERISTICS

Operate Time	3 ms. typical
Release Time	1.5 ms. typical
Insulation Resistance	100 megohms min, at 500VDC, 50%RH
Dielectric Strength	500 Vrms, 1 min. between coil and contacts
Shock Resistance	30 g, 6 ms, functional; 100 g, destructive
Vibration Resistance	6g, 10 - 500 Hz
Drop Resistance	1 Meter height drop on concrete
Power Consumption	0.55 W
Ambient Temperature Range	-40 to 105 degrees C operating, -40 to 100 storage
Weight	4 grams approx.

ORDERING INFORMATION

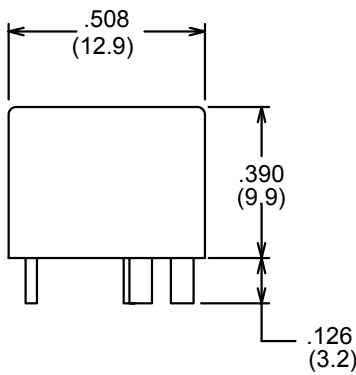
Example:	PC537	-1C	-12	S	-N	S
Model						
Contact Form						
1A or 1C						
Coil Voltage						
Case Style						
C: Dust cover; S: Sealed						
Contact Material						
Ni: AgSnOInO; C: AgCdO; N: AgNi						
Mounting Style						
Ni: Through Hole, S: SMT						

COIL DATA

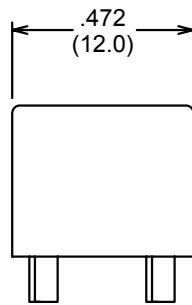
Coil Voltage	Resistance ohms \pm 10%	Must Operate Voltage Max. (VDC)	Must Release Voltage Min. (VDC)	Continuous Voltage Max. (VDC)
6	64	3.5	0.75	13.6
10	181	5.7	1.25	22.7
12	254	6.9	1.5	27.2
24	1000	14.0	3.0	54.4

Dimensions in Inches (millimeters)
Drawings are 2X actual size

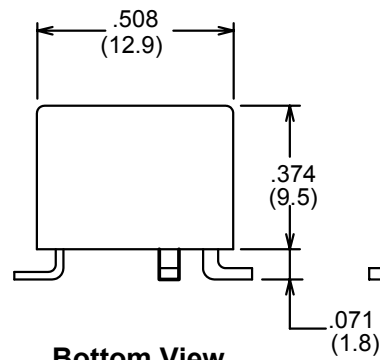
**Side View
Standard**



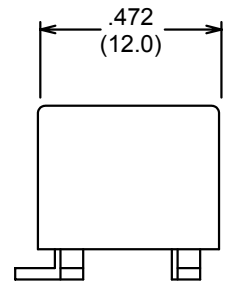
**End View
Standard**



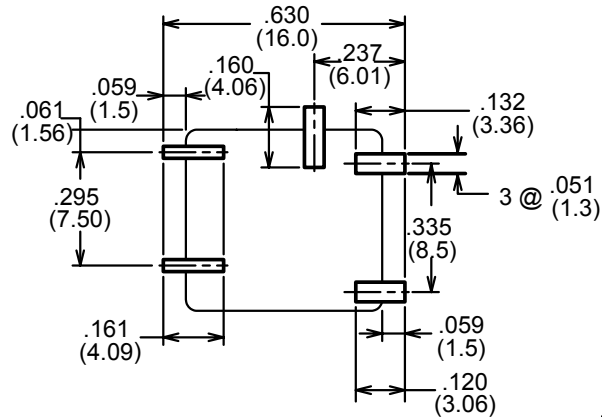
**Side View
SMT**



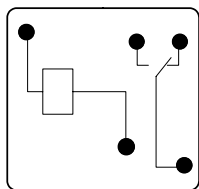
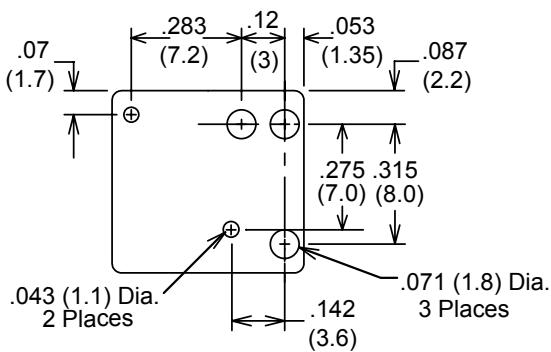
**End View
SMT**



**Bottom View
Pad Layout**

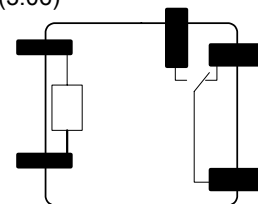


**Bottom View
PC Board Layout**



**Bottom View
Wiring Diagram
Standard**

Notes:
 Contact Form C shown
 On Contact Form A Unused Pin is Omitted
 Tolerances \pm .010 unless otherwise noted
 Maximum make current refers to inrush of a lamp load
 In 85 degree C ambient reduce maximum coil voltage to 72%



**Bottom View
Wiring Diagram
SMT**



3220 Commander Drive, Suite 102, Carrollton, Texas 75006

Sales: Call Toll Free (888) 997-3933 Fax (818) 342-5296 email: pickerwest@sbcglobal.net URL: pickercomponents.com