

80/60 Amp Automotive Plug-In / PCB Power Relay

PC795



FEATURES

- Most popular automotive relay
- 1 A and 1 C contact forms available
- Contact switching capacity up to 240 Amps
- 80 Amps continuous carrying capacity
- Up to 125 degrees C operating temperature
- Five different case styles available
- Sockets available from Picker Components

CONTACT RATINGS

| Contact Form | 1 Form A or 1 Form C | |
|-------------------------|-------------------------------------|-----------------|
| | Normally Open | Normally Closed |
| Max Switching Current | Make 240 Amps | Make 180 Amps |
| | Break 80 Amps | Break 60 Amps |
| Max. Switching Voltage | Current Dependent; see curve page 2 | |
| Max. Continuous Current | 80 Amps | 60 Amps |
| Minimum Load | 0.5 A @ 12 VDC | |

CONTACT DATA

| | | |
|----------------------------|--|--------------------------------|
| Material | AgSnOInO (Silver Tin Oxide Indium Oxide) | |
| Initial Contact Resistance | 100 milliohms max @ 0.1A, 6VDC | |
| Service Life | Mechanical | 1 X 10 ⁷ Operations |
| | Electrical | 2 X 10 ⁵ Operations |

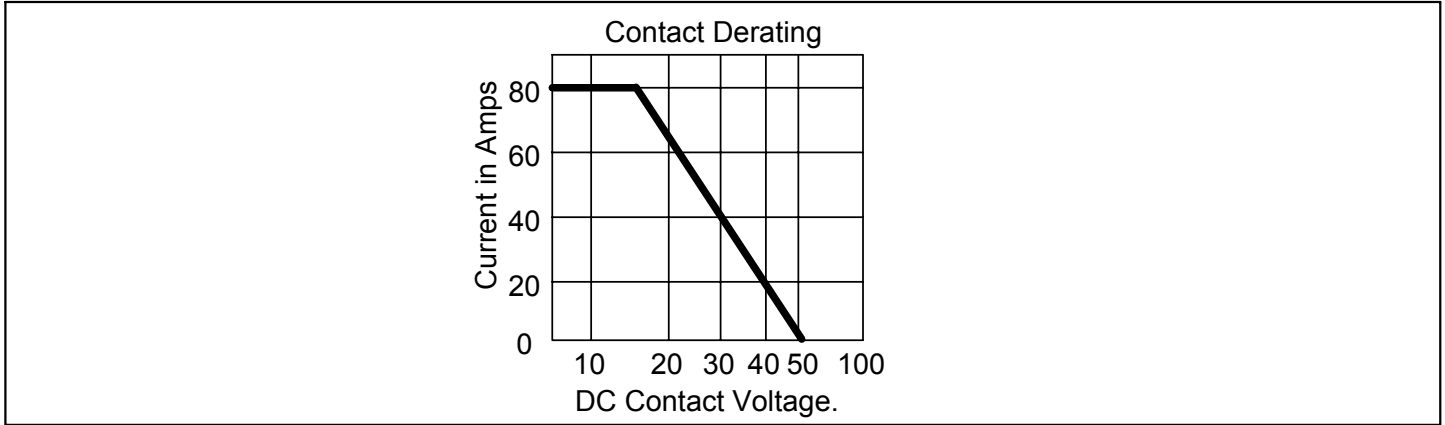
CHARACTERISTICS

| | |
|---------------------------|---|
| Operate Time | 7 ms. typical |
| Release Time | 2 ms. typical |
| Insulation Resistance | 100 megohms min, at 500VDC, 50%RH |
| Dielectric Strength | 500 Vrms, 1 min. between coil and contacts |
| Shock Resistance | 20 g, 11ms, functional; 200 g, destructive |
| Vibration Resistance | DA 1.27 mm, 10 - 40 Hz; 40-70 Hz: 5 g; DA 0.5mm, 70-100 Hz; 100-500 Hz: 10 g. |
| Drop Resistance | 1 Meter height drop on concrete in final enclosure |
| Power Consumption | 1.6 W approx. |
| Ambient Temperature Range | -40 to 125 degrees C operating, -40 to 155 storage |
| Weight | 35 grams approx. |

ORDERING INFORMATION

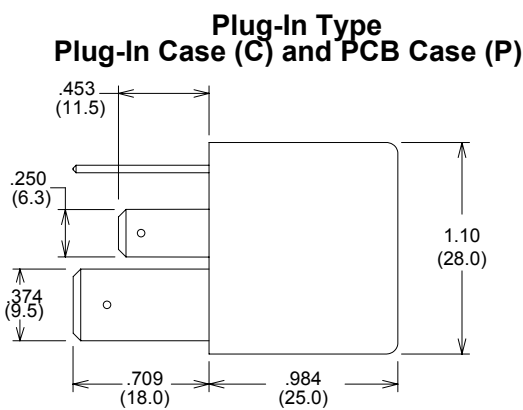
| | | | | | | |
|--------------------|---|-----|-----|-----|---|-----|
| Example: | PC795 | -1C | -C1 | -12 | S | -RN |
| Model | | | | | | |
| Contact Form | 1A, 1C or 1U (1 form A with 2 #87 Terminals) | | | | | |
| Case Style | C: Plug-In; P: PCB; C1: Plastic Bracket; C3: Shrouded W/Metal Bkt | | | | | |
| Coil Voltage | | | | | | |
| Enclosure | C: Dust Cover, S: Sealed Case | | | | | |
| Parallel Component | Nil: None; D: Diode; R: Resistor; N: Nickel Plated Terminals | | | | | |

REFERENCE CURVE

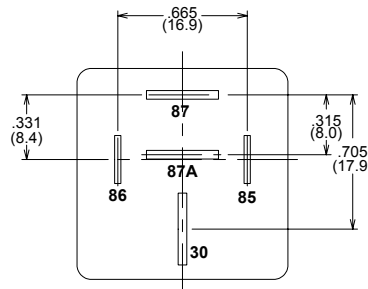


COIL DATA

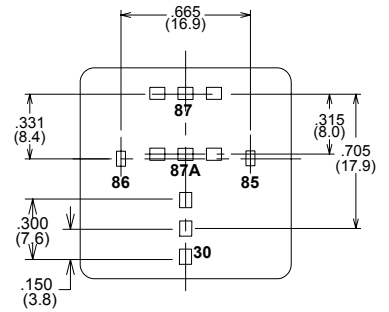
| Coil Voltage | Resistance ohms $\pm 10\%$ | Must Operate Voltage Max. (VDC) | Must Release Voltage Min. (VDC) | Continuous Voltage Max. (VDC) |
|--------------|-------------------------------|---------------------------------------|---------------------------------------|-------------------------------------|
| 6 | 22 | 3.6 | 0.6 | 10.1 |
| 12 | 90 | 7.2 | 1.2 | 20.5 |
| 24 | 330 | 14.3 | 2.4 | 39.1 |



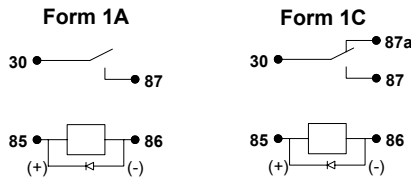
Dimensions in Inches (millimeters)



Bottom View



Holes for Pins 30, 87 & 87a are 3 X .087 (2.2) by .063 (1.6)
Pins 85 & 86 are .079 (2.0) by .047 (1.2)



Wiring Diagrams

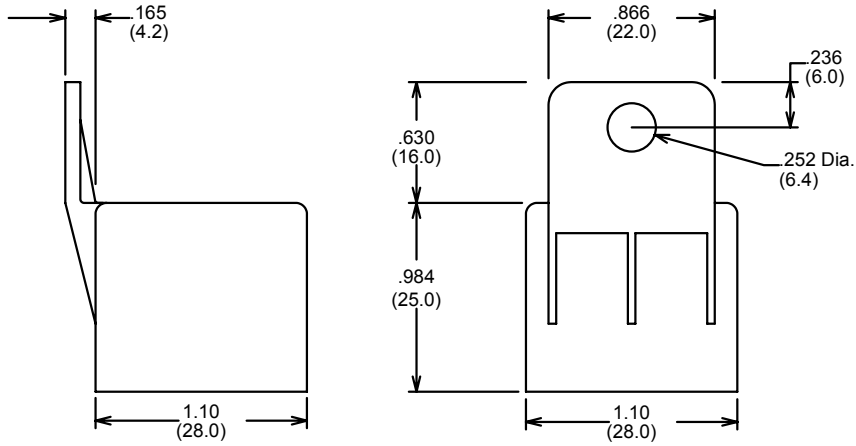
Notes:

Tolerances $\pm .010$ unless otherwise noted
Maximum make current refers to inrush of a lamp load
In 85 degree C ambient reduce maximum coil voltage to 72%

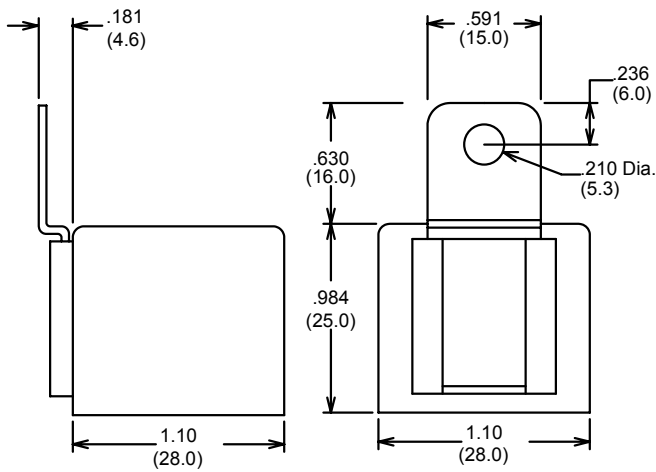


3220 Commander Drive, Suite 102, Carrollton, Texas 75006

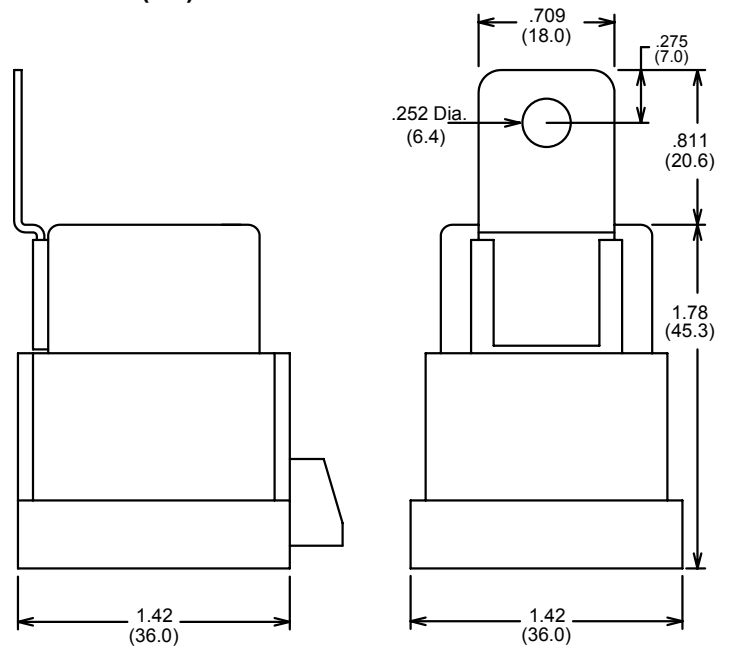
Sales: Call Toll Free (888) 997-3933 Fax (818) 342-5296 email: pickerwest@sbcglobal.net URL: pickercomponents.com



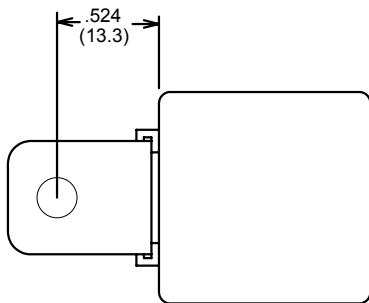
Molded Plastic Bracket (C1)



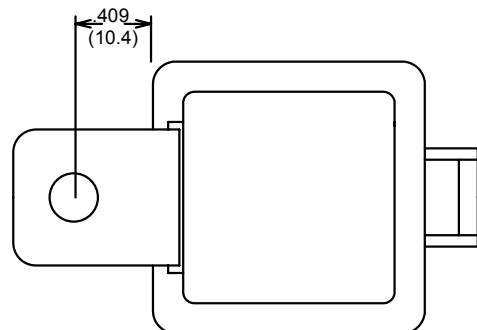
Metal Bracket (C2)



Skirted Case with Metal Bracket (C4)



Bent Metal Bracket (C3)



Skirted Case with Bent Metal Bracket (C5)



3220 Commander Drive, Suite 102, Carrollton, Texas 75006

Sales: Call Toll Free (888) 997-3933 Fax (818) 342-5296 email: pickerwest@sbcglobal.net URL: pickercomponents.com