

PC87435 Enhanced IPMI Baseboard Management Controller

General Description

The National Semiconductor® PC87435 is a highly-integrated Enhanced IPMI Baseboard Management Controller (BMC), or satellite management controller, with an embedded RISC core and advanced functions. It is targeted for a wide range of host-independent controlled platforms such as servers and desktops.

The PC87435 incorporates National's CompactRISC® CR16B core (a high-performance 16-bit RISC processor), on-chip flash and RAM memories, system support functions, Low Pin Count (LPC) host interface and a Bus Interface Unit (BIU) that directly interfaces with optional expansion memory and I/O devices.

System support functions include: two SMBus® channels; high-accuracy analog-to-digital (ADC) for system control, system health monitoring and analog controls, USART for ICMB extension, Watchdog and other timers; interrupt control and general-purpose I/O (GPIO).

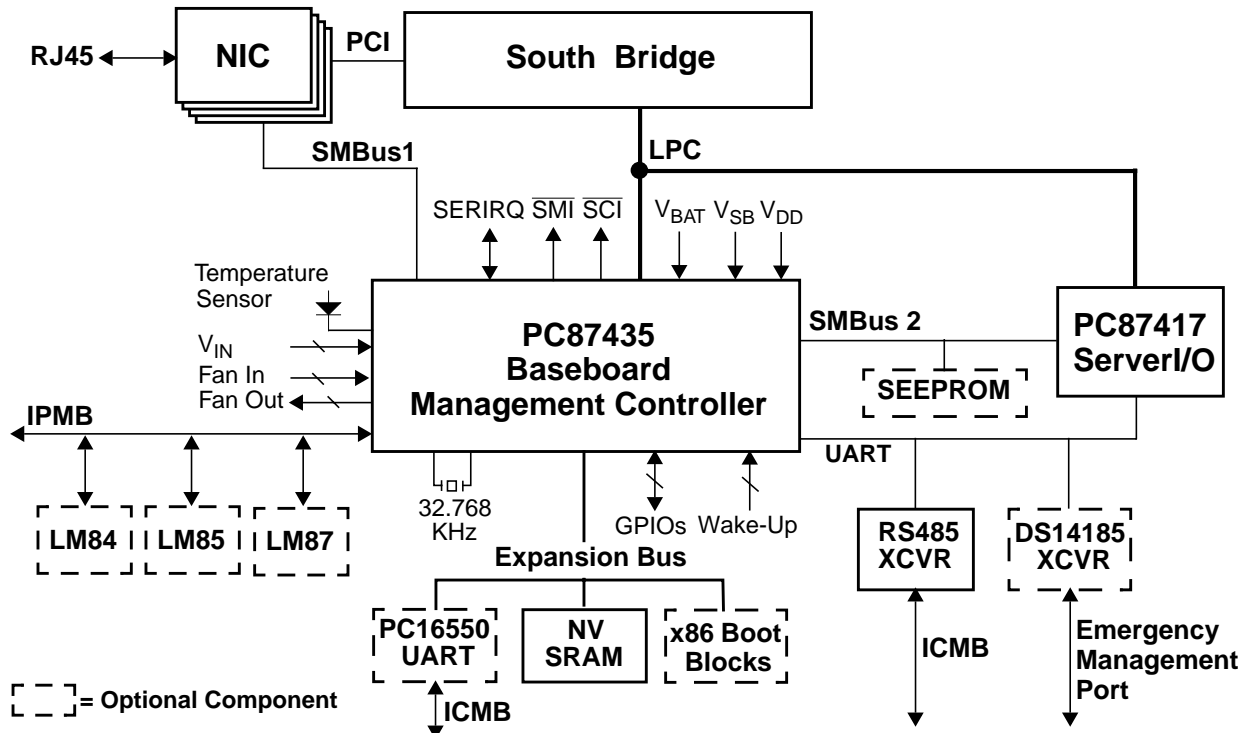
The PC87435 interfaces with the host via an LPC bus that provides three interface channels, with peripherals and IPMI devices via two independent SMBuses and with additional memory and I/O ports via a private expansion bus.

The PC87435, like all members of National's Advanced I/O family, is PC01 and ACPI compliant.

Outstanding Features

- Intelligent Platform Management Interface (IPMI)-optimized BMC
- 16-bit RISC core, with 2 Mbyte linear address space and running at up to 20 MHz
- On-chip flash and RAM
- Host interface, based on Intel's *LPC Interface Specification Revision 1.0*, September 29th, 1997
- Two SMBus interface modules (each module can be master and slave)
- USART for ICMB interface extension
- System timers, PWM and ADC channels
- 84/108 GPIO ports with a variety of wake-up events
- Random Number Generator for IPMI v1.5 authentication
- Integrated RTC
- Low current consumption
- JTAG-based debugger interface

System Connection Diagram



CompactRISC is a trademark, and TRI-STATE and National Semiconductor are registered trademarks of National Semiconductor Corporation. All other brand or product names are trademarks of their respective holders.

Features

- Supports *Intelligent Platform Management Interface (IPMI) Specification v1.5*, February 21, 2001
- Supports Microsoft® *Advanced Power Management (APM) Specifications Revision 1.2*, February 1996

Embedded Controller Features

- Processing Unit
 - CompactRISC CR16B 16-bit embedded RISC processor core
 - 2 Mbytes of linear address space
- Internal Memory
 - 128 Kbytes of on-chip flash memory
 - Field upgradable by host, CR16B, parallel programmer interface or JTAG
 - Boot block for CR16B
 - Memory contents protection
 - 4096 bytes of on-chip RAM
- Expansion Memory (Optional in 176-pin packages)
 - Three address zones for static devices, with configurable wait states and 8- or 16-bit-wide bus
 - Up to 1 Mbyte of additional code and data
 - Supports host-controlled code download and on-board flash update
 - Memory access protection
- Host Interface Channels
 - Three KCS host interface channels
 - IRQ, SMI and SCI (PWUREQ) generation
- Multi-Input Wake-Up (MIWU)
 - Supports up to 32 wake-up or interrupt inputs
 - Special input for system On/Off switch
 - Generates wake-up event to PMC (Power Management Control) module
 - Generates interrupts to ICU module
 - Provides user-selectable trigger conditions
- Interrupt Control Unit (ICU)
 - 31 maskable vector interrupt sources
 - 26 general-purpose external interrupt inputs through MIWU
 - Enable and pending indication for each interrupt
 - Non-maskable interrupt input
- Authentication Function Support
 - Random Number Generator (RNG)
 - Full Random using temperature, voltage and system noise.
- General-Purpose I/O (GPIO)
 - 84/108 port pins in 128/176 packages, respectively
 - I/O pins individually configured as input or output with optional pull-up resistors
 - 27 external wake-up events
 - Low-cost external GPIO expansion
- Two SMBus Interface modules.
 - Each module:
 - Is master and slave
 - Detects up to three simultaneous slave addresses
 - Supports polling and interrupt controlled operation
 - Generates a wake-up signal on detection of a Start Condition while in Idle mode
 - Has optional internal pull-up on SDA and SCL pins
- Two 16-bit Multi-Function Timer (MFT16) modules.
 - Each module:
 - Contains two 16-bit timers
 - Supports Pulse Width Modulation (PWM), Capture and Counter modes
- Universal Synchronous/Asynchronous Receiver-transmitter (USART)
 - A full-duplex USART channel
 - Programmable baud rate
 - Synchronous mode with either internal or external clock
 - 7-, 8- or 9-bit protocols
 - Data transfer via Interrupt, polling
 - Data double buffering with DMA support
- Pulse Width Modulation (PWM) Module
 - Eight outputs
 - 8-bit resolution
 - Common input clock prescaler
- Timer and WATCHDOG
 - 16-bit periodic interrupt timer with 30 μ s resolution and 5-bit prescaler for embedded controller tick and periodic wake-up tasks
 - 8-bit WATCHDOG timer
- Hardware Monitoring (by ADC)
 - 14 inputs, with 10-bit resolution
 - Controlled by embedded controller
 - System Voltage Measurement
 - Up to eight external measurement points
 - Four internal measurement points
 - Diode-Based Temperature Measurement
 - Software-controlled fault detection
 - Hardware-monitored over-temperature detection
 - Production time calibration using flash parameters
- Development Support Features
 - Interface to debugger via JTAG pins
 - ISE/ADB mode (DEV mode)
 - On-board Debug mode
 - Flash programming via JTAG
- CR16B Access to Host Controlled Functions
 - Enabled when host inactive

Features (Continued)

Host Controlled Function Features

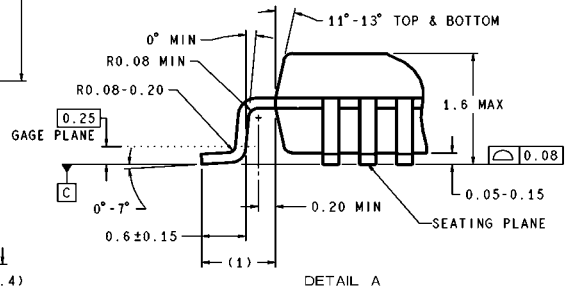
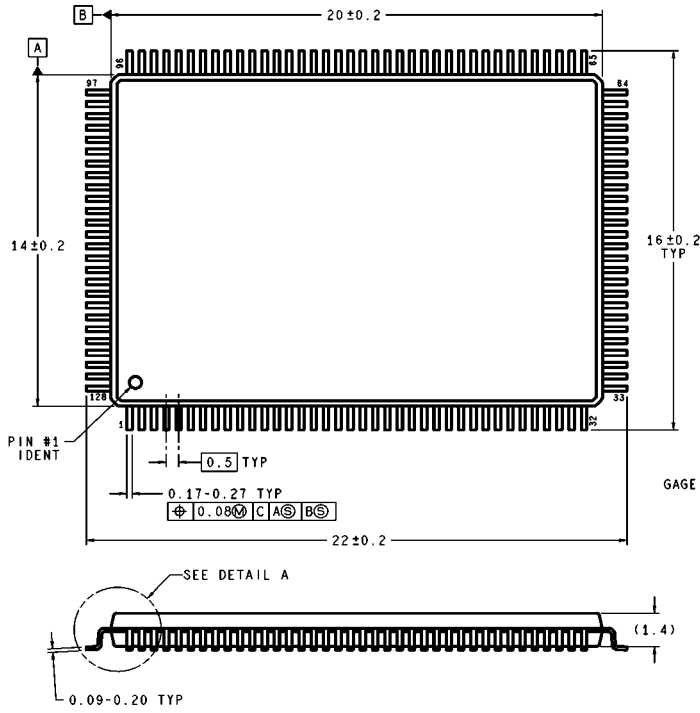
- LPC System Interface
 - Synchronous cycles, up to 33 MHz bus clock
 - Serial IRQ
 - I/O and Memory read and write cycles
 - LPC and FWH read cycles
- Base Address (BADDR) strap to determine the base address of the configuration Index-Data register pair PC01 and ACPI Compliant
 - PnP Configuration Register structure
 - Flexible resource allocation for all logical devices
 - Relocatable base address
 - 15 IRQ routing options
 - Generates SCI ($\overline{\text{PWUREQ}}$) for ACPI systems
- Shared Memory and Protection
 - Bridges LPC access to internal and expansion memory
 - CR16B controlled, LPC access protection
 - FWH transaction support
- Real-Time Clock (RTC)
- System Wake-Up Control (SWC)
 - Wake-up on detection on:
 - Software controlled off events
 - Optional routing of power-up request to IRQ, $\overline{\text{SMI}}$ and SCI ($\overline{\text{PWUREQ}}$) lines

Clocking, Supply and Package Information

- Strap Input Controlled Operating Modes
 - TRI-STATE™ of all the pins
 - Development (ISE/ADB)
 - On-board development
 - Programming Environment
- Clocks
 - Single 32.768 KHz crystal oscillator
 - On-chip high frequency clock generator
 - CPU clock 4-20 MHz
 - Software-controlled frequency generation
 - Based on the 32.768 KHz input
 - 32.768 KHz clock output
 - CPU clock output
- Power Management Control (PMC)
 - Separate 3.3V supply for the CPU and its peripherals (V_{CC}), Analog (AV_{CC}) and for the other functions (V_{DD})
 - All pins are 5V tolerant and back-drive protected (except the LPC bus pins)
 - Backup battery input for RTC, and wake-up configuration
 - Reduced power consumption capability
 - Automatic wake-up on system events
- Package options
 - 176-pin LQFP package for Expansion Memory use and development
 - 128-pin LQFP package for a minimal BMC

Physical Dimensions

All dimensions are in millimeters

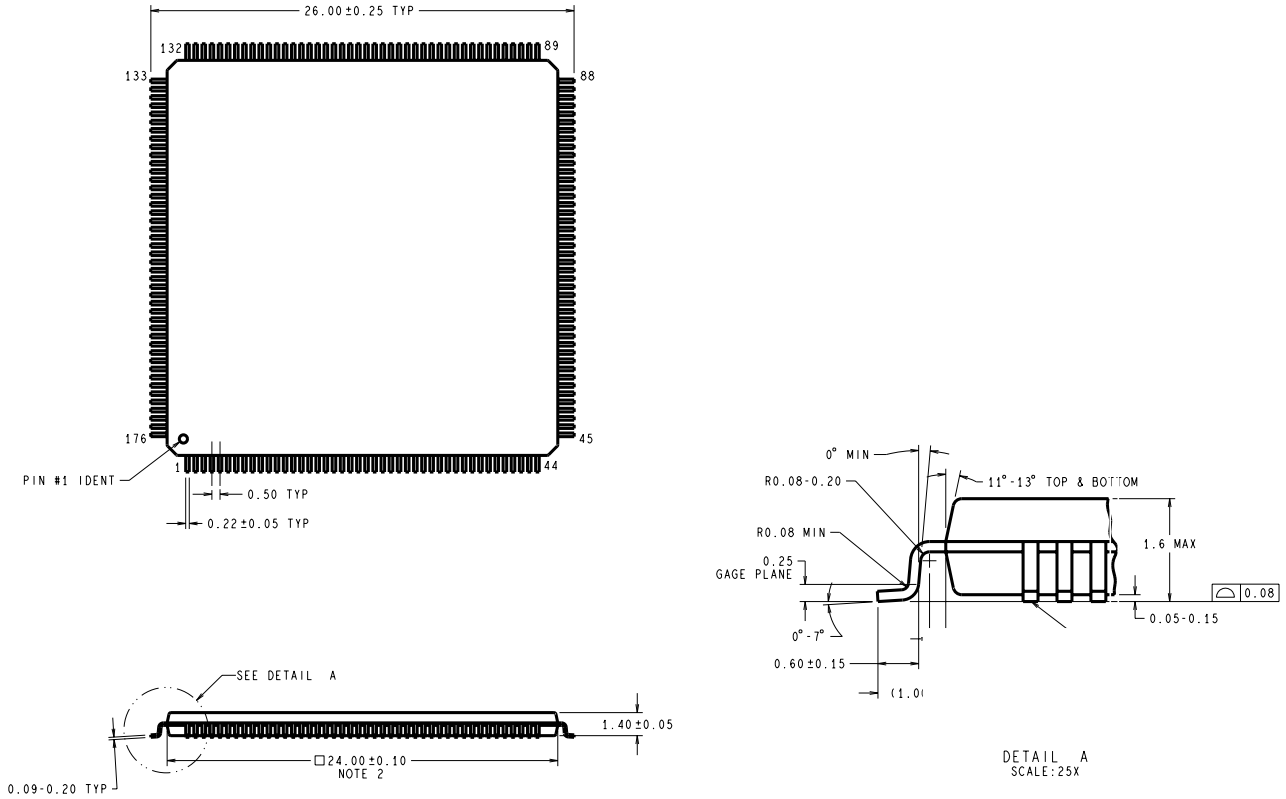


VLB128A (Rev A)

128-pin LQFP Package
Order Number: PC87435-VLB
NS Package Number VLB128

Physical Dimensions (Continued)

All dimensions are in millimeters



NOTES: UNLESS OTHERWISE SPECIFIED

1. STANDARD LEAD FINISH:
7.62 MICROMETERS MINIMUM SOLDER PLATING (85/15)
THICKNESS ON COPPER.
2. DIMENSION DOES NOT INCLUDE MOLD PROTRUSION.
MAXIMUM ALLOWABLE MOLD PROTRUSION 0.25mm PER SIDE.
3. REFERENCE JEDEC REGISTRATION MO-136, VARIATION BV,
DATED 10/93.

176-Low Profile Plastic Quad Flatpack (LQFP) Order Number PC87435-VPC NS Package Number VPC176

LIFE SUPPORT POLICY

NATIONAL'S PRODUCTS ARE NOT AUTHORIZED FOR USE AS CRITICAL COMPONENTS IN LIFE SUPPORT DEVICES OR SYSTEMS WITHOUT THE EXPRESS WRITTEN APPROVAL OF THE PRESIDENT OF NATIONAL SEMICONDUCTOR CORPORATION. As used herein:

1. Life support devices or systems are devices or systems which, (a) are intended for surgical implant into the body, or (b) support or sustain life, and whose failure to perform, when properly used in accordance with instructions for use provided in the labeling, can be reasonably expected to result in a significant injury to the user.
2. A critical component is any component of a life support device or system whose failure to perform can be reasonably expected to cause the failure of the life support device or system, or to affect its safety or effectiveness.



National Semiconductor Corporation Americas
Email: new.feedback@nsc.com

National Semiconductor Europe
Fax: +49 (0) 180-530 85 86
Email: europe.support@nsc.com
Deutsch Tel: +49 (0) 69 9508 6208
English Tel: +44 (0) 870 24 0 2171
Français Tel: +33 (0) 1 41 91 87 90

National Semiconductor Asia Pacific Customer Response Group
Tel: 65-2544466
Fax: 65-2504466
Email: ap.support@nsc.com

National Semiconductor Japan Ltd.
Tel: 81-3-5639-7560
Fax: 81-3-5639-7507
Email: nsj.crc@jksmt.nsc.com

www.national.com