



PD55035 PD55035S

RF POWER TRANSISTORS The LdmoST Plastic FAMILY

N-CHANNEL ENHANCEMENT-MODE LATERAL MOSFETs

- EXCELLENT THERMAL STABILITY
- COMMON SOURCE CONFIGURATION
- $P_{OUT} = 35\text{ W}$ with 16.9 dB gain @ 500 MHz / 12.5 V
- NEW RF PLASTIC PACKAGE

DESCRIPTION

The PD55035 is a common source N-Channel, enhancement-mode lateral Field-Effect RF power transistor. It is designed for high gain, broad band commercial and industrial applications. It operates at 12 V in common source mode at frequencies of up to 1 GHz. PD55035 boasts the excellent gain, linearity and reliability of ST's latest LDMOS technology mounted in the first true SMD plastic RF power package, PowerSO-10RF. PD55035's superior linearity performance makes it an ideal solution for car mobile radio.

The PowerSO-10 plastic package, designed to offer high reliability, is the first ST JEDEC approved, high power SMD package. It has been specially optimized for RF needs and offers excellent RF performances and ease of assembly.

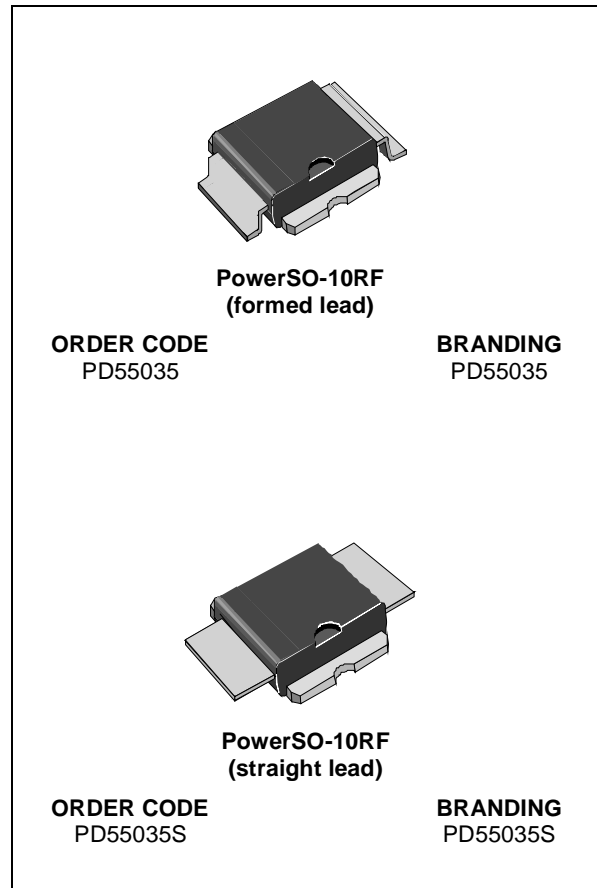
Mounting recommendations are available in www.st.com/rf/ (look for application note AN1294)

ABSOLUTE MAXIMUM RATINGS ($T_{CASE} = 25\text{ }^{\circ}\text{C}$)

Symbol	Parameter	Value	Unit
$V_{(BR)DSS}$	Drain-Source Voltage	40	V
V_{GS}	Gate-Source Voltage	± 20	V
I_D	Drain Current	7	A
P_{DISS}	Power Dissipation (@ $T_c = 70^{\circ}\text{C}$)	95	W
T_j	Max. Operating Junction Temperature	165	$^{\circ}\text{C}$
T_{STG}	Storage Temperature	-65 to +150	$^{\circ}\text{C}$

THERMAL DATA

$R_{th(j-c)}$	Junction -Case Thermal Resistance	1.0	$^{\circ}\text{C/W}$
---------------	-----------------------------------	-----	----------------------



PD55035 - PD55035S

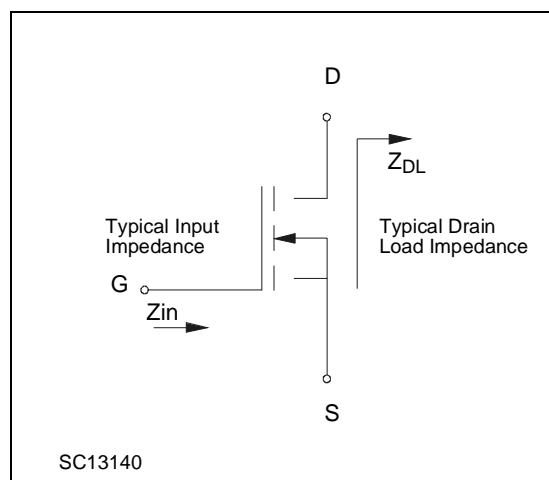
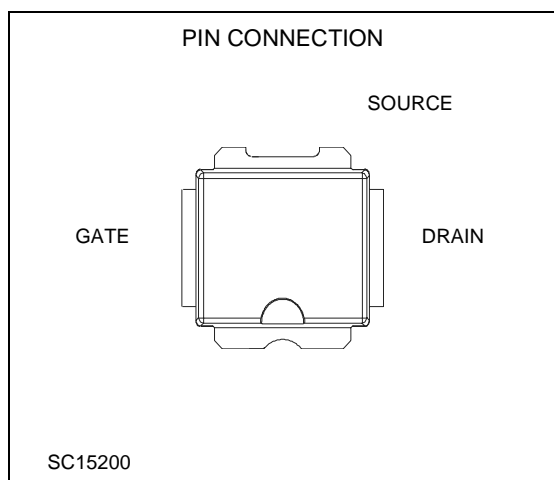
ELECTRICAL SPECIFICATION (T_{CASE} = 25 °C)

STATIC

Symbol	Test Conditions		Min.	Typ.	Max.	Unit
I _{DSS}	V _{GS} = 0 V	V _{DS} = 28 V			1	μA
I _{GSS}	V _{GS} = 20 V	V _{DS} = 0 V			1	μA
V _{GS(Q)}	V _{DS} = 28 V	I _D = 100 mA	2.0		5.0	V
V _{DS(ON)}	V _{GS} = 10 V	I _D = 3 A		0.8	0.95	V
G _{FS}	V _{DS} = 10 V	I _D = 3 A	2.5			mho
C _{ISS}	V _{GS} = 0 V	V _{DS} = 12.5 V		92		pF
C _{OSS}	V _{GS} = 0 V	V _{DS} = 12.5 V		73		pF
C _{RSS}	V _{GS} = 0 V	V _{DS} = 12.5 V		6.1		pF

DYNAMIC

Symbol	Test Conditions		Min.	Typ.	Max.	Unit
P _{out}	V _{DD} = 12.5 V	I _{DQ} = 200 mA f = 500 MHz	35			W
G _P	V _{DD} = 12.5 V	I _{DQ} = 200 mA P _{OUT} = 35 W f = 500 MHz	13	16.9		dB
η _D	V _{DD} = 12.5 V	I _{DQ} = 200 mA P _{OUT} = 35 W f = 500 MHz		62		%
Load mismatch	V _{DD} = 12.5 V	I _{DQ} = 200 mA P _{OUT} = 35 W f = 500 MHz ALL PHASE ANGLES	20:1			VSWR



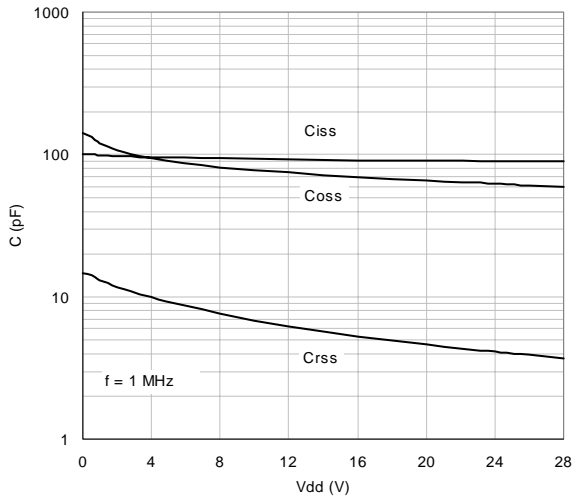
IMPEDANCE DATA

PD55035S

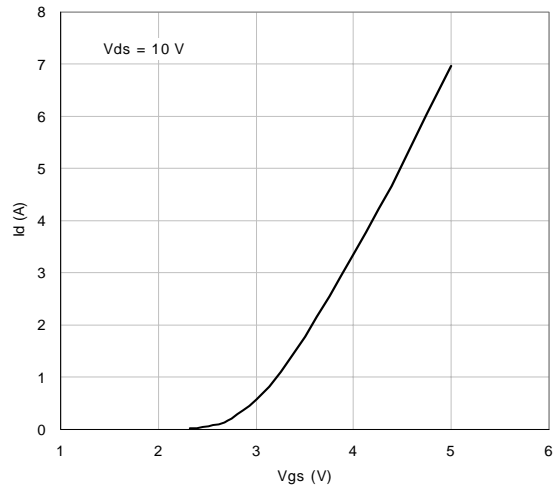
FREQ. MHz	Z _{IN} (Ω)	Z _{DL} (Ω)
175	3.34 - j 5.84	1.67 + j 1.45
480	0.53 - j 1.08	0.86 + j 0.25
500	0.45 - j 1.21	1.05 + j 0.03
520	0.42 - j 1.20	1.04 + j 0.15

TYPICAL PERFORMANCE (PD55035S)

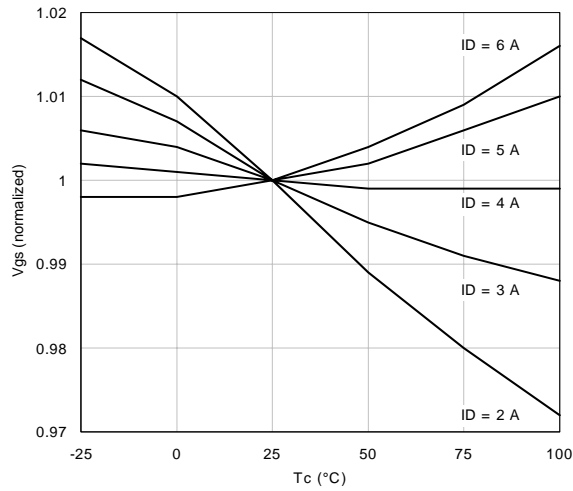
Capacitance vs. Supply Voltage



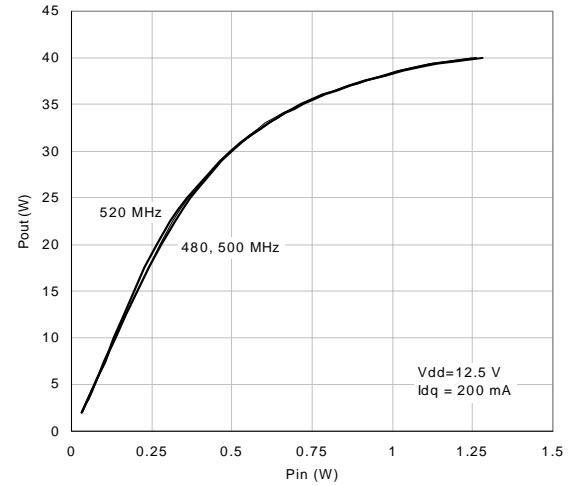
Drain Current vs. Gate-Source Voltage



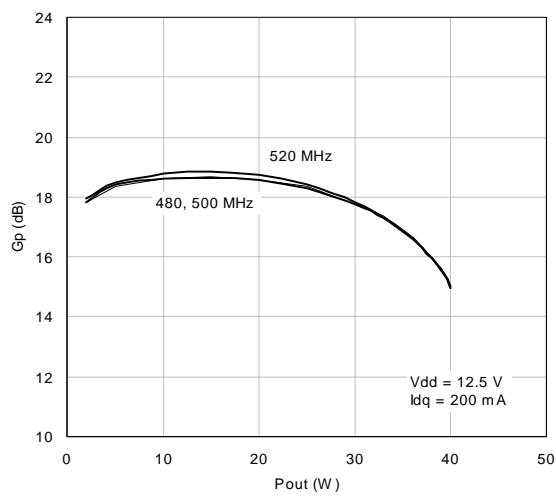
Gate-Source Voltage vs. Case Temperature



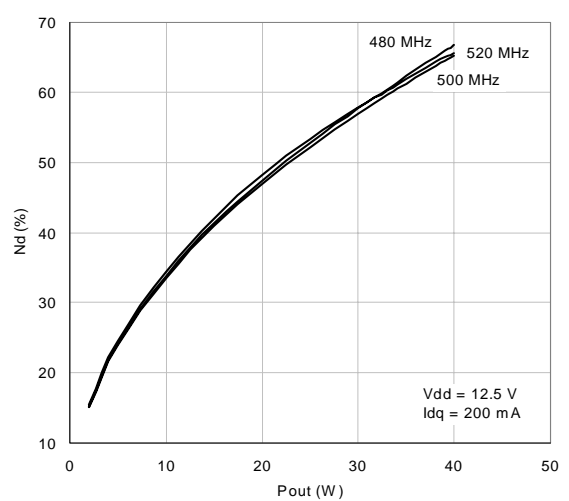
Output Power vs. Input Power



Power Gain vs. Output Power



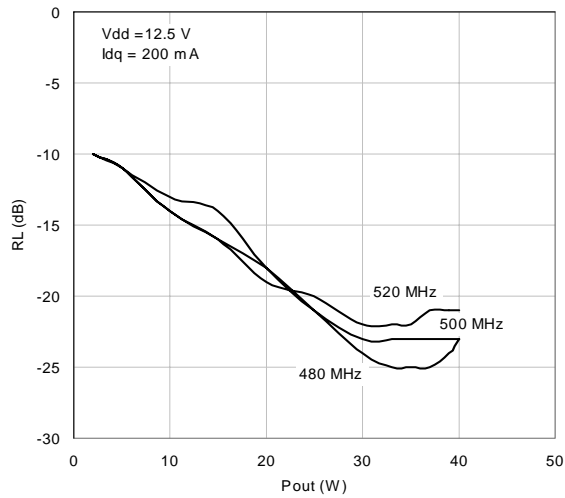
Efficiency vs. Output Power



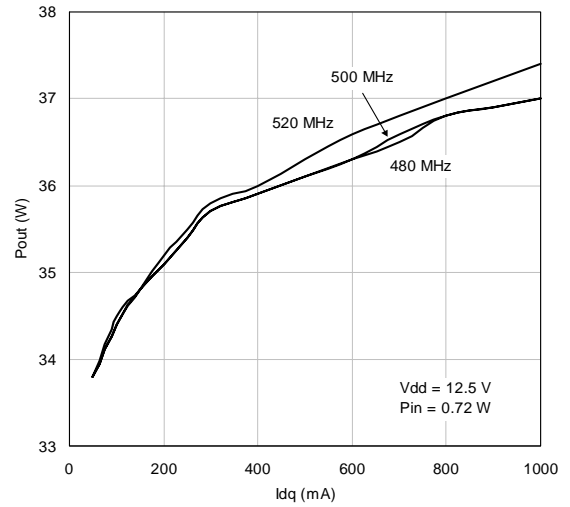
PD55035 - PD55035S

TYPICAL PERFORMANCE (PD55035S)

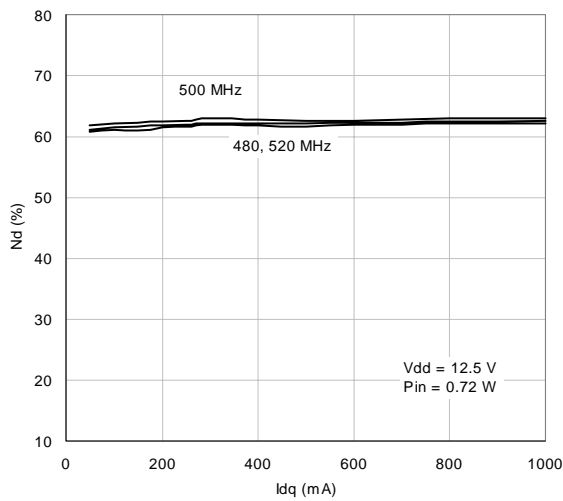
Input Return Loss vs. Output Power



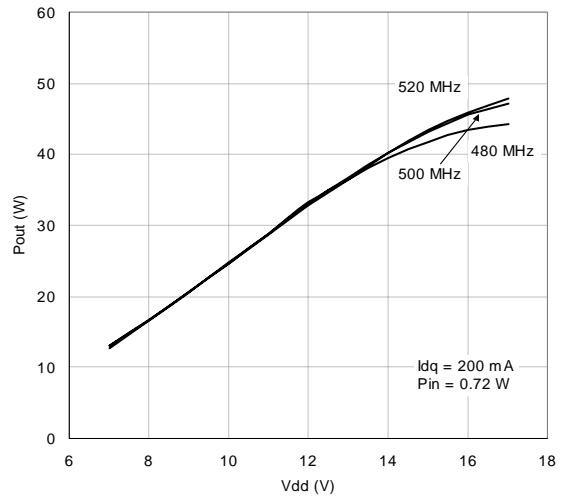
Output Power vs. Bias Current



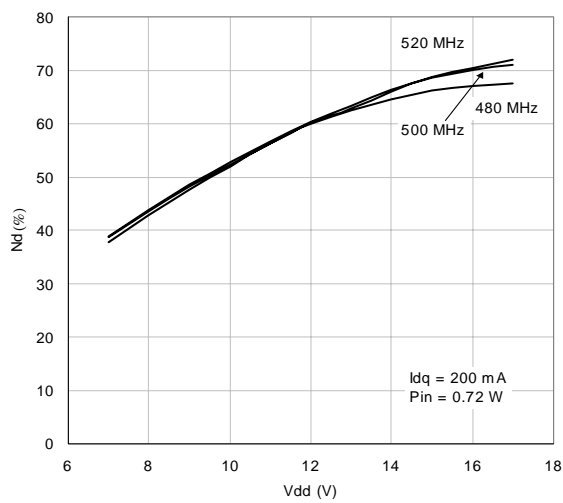
Efficiency vs. Bias Current



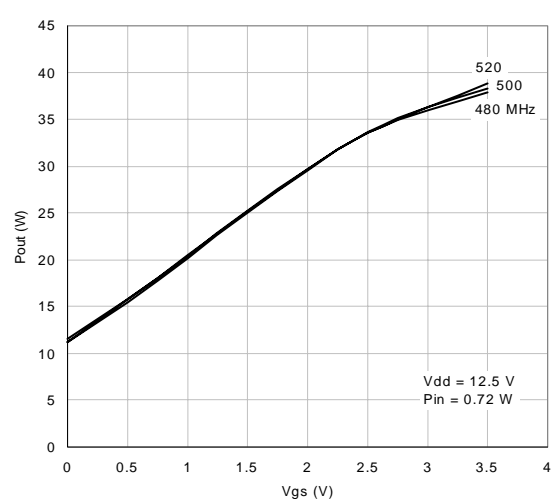
Output Power vs. Supply Voltage



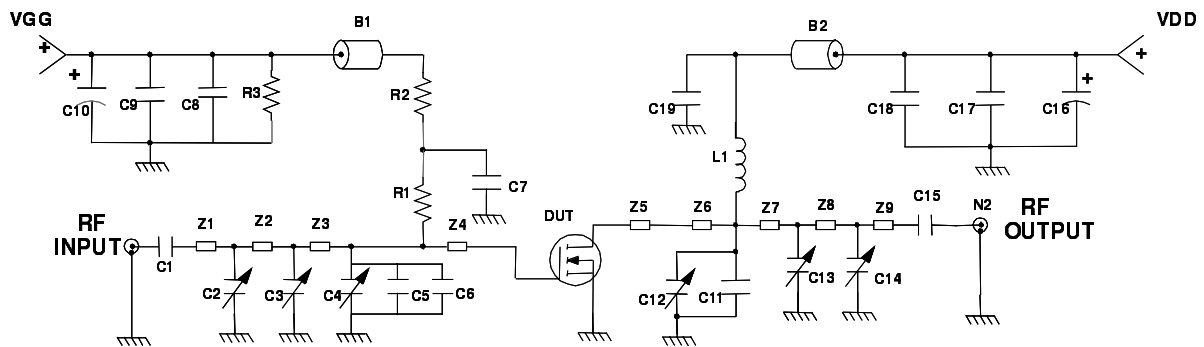
Efficiency vs. Supply Voltage



Output Power vs. Gate Voltage



500 MHz TEST CIRCUIT SCHEMATIC (ENGINEERING)

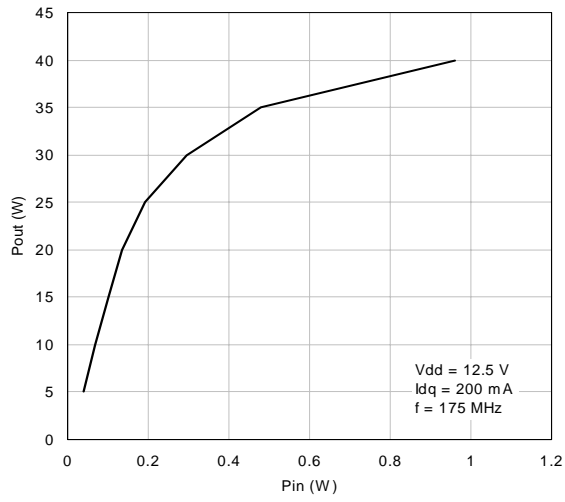


500 MHz TEST CIRCUIT COMPONENT PART LIST

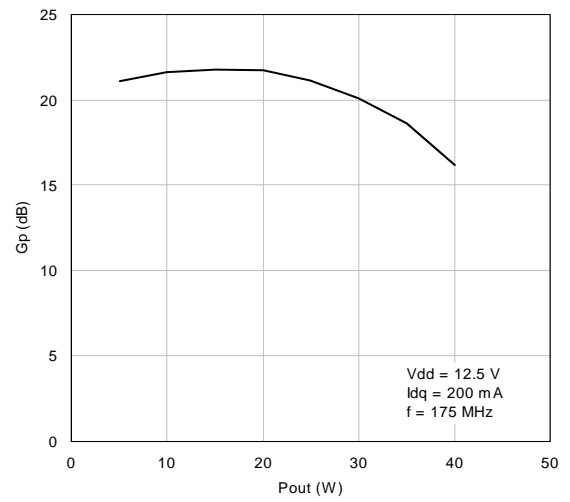
COMPONENT	DESCRIPTION
B1,B2	FERRITE BEAD
C1,C13	300 pF, 100 mil CHIP CAPACITOR
C2,C3,C4,C12,C13,C14	1 to 20 pF TRIMMER CAPACITOR
C6	39 pF ATC 100B SURFACE MOUNT CERAMIC CHIP CAPACITOR
C7, C19	120 pF 100 mil CHIP CAPACITOR
C10, C16	10 μF, 50 V ELECTROLYTIC CAPACITOR
C9, C17	0.1 mF, 100 mil CHIP CAP
C8, C18	1.000 pF 100 mil CHIP CAP
C5, C11	33 pF, 100 mil CHIP CAP
L1	56 nH, 7 TURN, COILCRAFT
N1, N2	TYPE N FLANGE MOUNT
R1	15 Ω, 1 W CHIP RESISTOR
R2	1 kΩ, 1 W CHIP RESISTOR
R3	33 kΩ, 1 W CHIP RESISTOR
Z1	0.471" x 0.080" MICROSTRIP
Z2	1.082" x 0.080" MICROSTRIP
Z3	0.372" x 0.080" MICROSTRIP
Z4,Z5	0.260" x 0.223" MICROSTRIP
Z6	0.050" x 0.080" MICROSTRIP
Z7	0.551" x 0.080" MICROSTRIP
Z8	0.825" x 0.080" MICROSTRIP
Z9	0.489" x 0.080" MICROSTRIP
BOARD	ROGER, ULTRA LAM 2000 THK 0.030", ε _r = 2.55 2oz. ED Cu 2 SIDES.

TYPICAL PERFORMANCE 175 MHz (PD55035S)

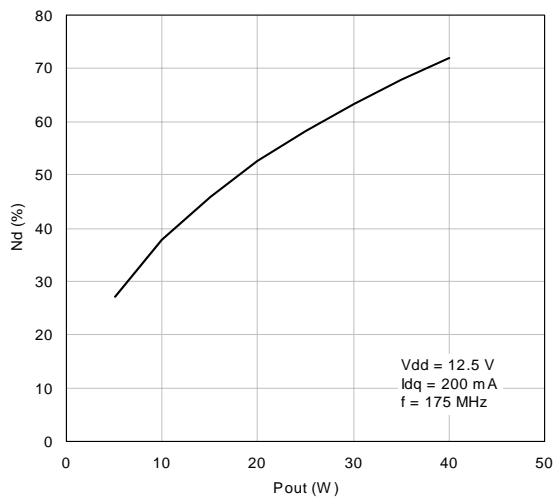
Output Power vs. Input Power



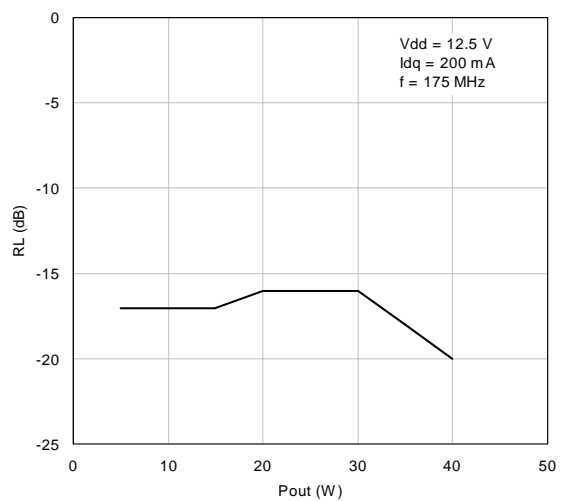
Power Gain vs. Output Power



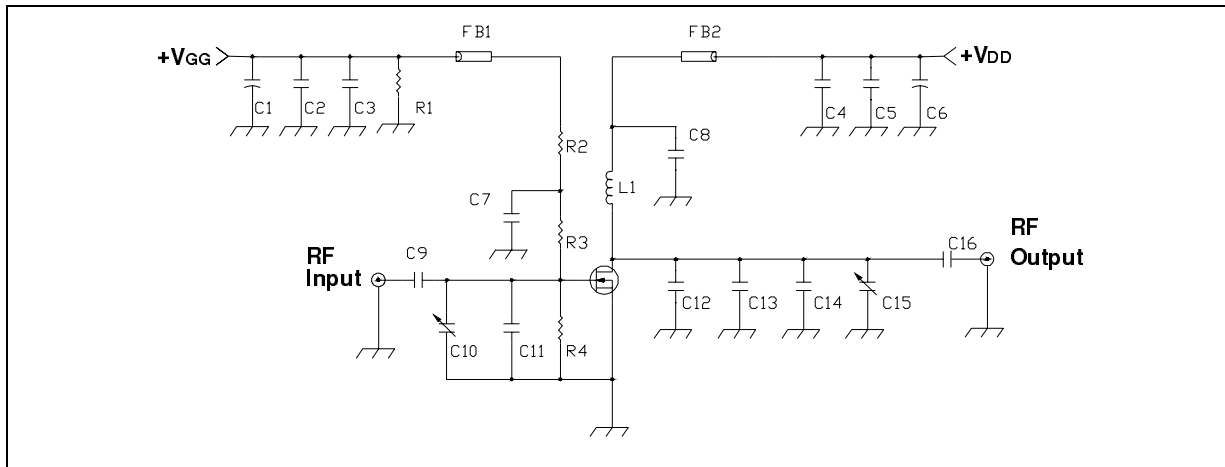
Efficiency vs. Output Power



Input Return Loss vs. Output Power



175 MHz TEST CIRCUIT SCHEMATIC (ENGINEERING)



175 MHz TEST CIRCUIT COMPONENT PART LIST

COMPONENT	DESCRIPTION
C1,C6	10 μ F ELECTROLYTIC CAPACITOR
C2,C5	0.1 μ F CHIP CAPACITOR
C3, C4	0.01 μ F CHIP CAPACITOR
C7, C8	1200 pF CHIP CAPACITOR
C9, C16	1000 pF CHIP CAPACITOR
C10	ARCO 406 TRIMMER CAPACITOR
C11	62 pF CHIP CAPACITOR
C12	15 pF CHIP CAPACITOR
C13	20 pF CHIP CAPACITOR
C14	75 pF CHIP CAPACITOR
C15	JOHANSON 1-20 pF TRIMMER CAPACITOR
R1	33 k Ω CHIP RESISTOR
R2	18 Ω CHIP RESISTOR
R3	27 Ω CHIP RESISTOR
R4	47 Ω CHIP RESISTOR
L1	5 TURN, 16 AWG MAGNETWIRE, ID = 0.25", INDUCTOR
FB1, FB2	FERRITE BEAD
BOARD	ROGER, ULTRA LAM 2000 THK 0.030", $\epsilon_r = 2.55$ 2oz. ED Cu 2 SIDES.

PD55035 - PD55035S

COMMON SOURCE S-PARAMETER (PD55035S)

($V_{DS} = 12.5V$ $I_{DS} = 500mA$)

FREQ (MHz)	$ S_{11} $	$S_{11}\angle\Phi$	$ S_{21} $	$S_{21}\angle\Phi$	$ S_{12} $	$S_{12}\angle\Phi$	$ S_{22} $	$S_{22}\angle\Phi$
50	0.823	-162	14.28	86	0.015	-3	0.782	-168
100	0.855	-169	6.87	75	0.015	-11	0.798	-171
150	0.875	-172	4.50	68	0.014	-17	0.813	-172
200	0.891	-173	3.18	60	0.013	-24	0.835	-172
250	0.902	-174	2.42	53	0.012	-29	0.856	-172
300	0.918	-175	1.90	47	0.011	-32	0.876	-173
350	0.924	-176	1.52	42	0.010	-36	0.890	-173
400	0.934	-176	1.25	37	0.008	-37	0.903	-174
450	0.940	-177	1.03	33	0.007	-38	0.918	-175
500	0.949	-177	0.87	29	0.007	-40	0.928	-175
550	0.956	-178	0.74	26	0.005	-40	0.935	-176
600	0.958	-179	0.65	23	0.004	-36	0.946	-177
650	0.963	-180	0.56	20	0.004	-36	0.952	-178
700	0.968	180	0.49	18	0.003	-27	0.955	-178
750	0.971	179	0.44	15	0.003	-21	0.959	-179
800	0.970	179	0.39	13	0.002	-5	0.962	-179
850	0.973	178	0.35	12	0.002	11	0.967	-180
900	0.975	178	0.32	10	0.002	24	0.967	179
950	0.974	177	0.29	8	0.002	27	0.971	179
1000	0.976	177	0.26	7	0.003	47	0.972	178
1050	0.977	176	0.24	5	0.002	61	0.976	178
1100	0.976	176	0.22	4	0.003	69	0.976	177
1150	0.978	176	0.20	2	0.003	72	0.974	177
1200	0.979	175	0.19	1	0.004	78	0.975	176
1250	0.980	175	0.18	-1	0.004	87	0.977	176
1300	0.979	174	0.16	-2	0.005	86	0.976	176
1350	0.977	174	0.15	-3	0.006	88	0.975	175
1400	0.975	174	0.14	-3	0.006	91	0.977	174
1450	0.974	173	0.13	-3	0.006	97	0.975	174
1500	0.972	173	0.12	-4	0.007	117	0.969	174

COMMON SOURCE S-PARAMETER (PD55035S)

($V_{DS} = 12.5V$ $I_{DS} = 1A$)

FREQ (MHz)	$ S_{11} $	$\angle S_{11}$	$ S_{21} $	$\angle S_{21}$	$ S_{12} $	$\angle S_{12}$	$ S_{22} $	$\angle S_{22}$
50	0.845	-165	14.89	87	0.012	0	0.818	-171
100	0.877	-171	7.23	78	0.011	-8	0.829	-174
150	0.894	-174	4.81	72	0.011	-12	0.836	-175
200	0.905	-175	3.46	65	0.010	-17	0.849	-175
250	0.909	-176	2.69	59	0.010	-20	0.863	-175
300	0.920	-176	2.15	54	0.009	-23	0.877	-175
350	0.924	-177	1.75	48	0.008	-27	0.887	-175
400	0.933	-177	1.46	44	0.007	-28	0.898	-176
450	0.937	-178	1.22	39	0.007	-28	0.910	-176
500	0.946	-178	1.05	36	0.006	-28	0.919	-177
550	0.951	-179	0.90	32	0.005	-26	0.925	-177
600	0.953	-180	0.79	29	0.004	-23	0.936	-178
650	0.959	180	0.69	26	0.004	-19	0.942	-178
700	0.963	179	0.61	24	0.003	-13	0.946	-179
750	0.965	179	0.55	21	0.003	-4	0.951	-179
800	0.964	178	0.49	19	0.003	6	0.954	-180
850	0.967	178	0.44	17	0.003	14	0.960	180
900	0.970	177	0.40	15	0.003	31	0.960	179
950	0.971	177	0.37	13	0.003	39	0.965	179
1000	0.972	176	0.34	11	0.003	55	0.964	178
1050	0.972	176	0.31	9	0.003	53	0.970	178
1100	0.973	176	0.29	8	0.003	64	0.969	177
1150	0.975	175	0.26	6	0.004	70	0.966	179
1200	0.976	175	0.25	4	0.004	75	0.971	176
1250	0.975	174	0.22	3	0.005	85	0.972	176
1300	0.975	174	0.21	2	0.005	81	0.970	175
1350	0.974	174	0.19	1	0.005	85	0.970	175
1400	0.973	174	0.18	0	0.006	89	0.971	174
1450	0.972	173	0.17	-1	0.006	95	0.971	174
1500	0.970	173	0.16	-1	0.008	110	0.965	174

PD55035 - PD55035S**COMMON SOURCE S-PARAMETER (PD55035S)** $(V_{DS} = 12.5V \quad I_{DS} = 2A)$

FREQ (MHz)	$ S_{11} $	$\angle S_{11}$	$ S_{21} $	$\angle S_{21}$	$ S_{12} $	$\angle S_{12}$	$ S_{22} $	$\angle S_{22}$
50	0.863	-165	15.03	88	0.010	0	0.841	-173
100	0.892	-171	7.33	80	0.009	-5	0.848	-176
150	0.909	-174	4.91	74	0.009	-9	0.853	-176
200	0.916	-176	3.56	68	0.009	-11	0.860	-176
250	0.920	-177	2.81	63	0.008	-12	0.872	-177
300	0.927	-177	2.26	58	0.008	-15	0.880	-177
350	0.929	-178	1.86	52	0.007	-18	0.889	-177
400	0.935	-178	1.57	48	0.006	-20	0.896	-177
450	0.938	-179	1.33	44	0.006	-20	0.906	-178
500	0.944	-179	1.14	40	0.005	-16	0.914	-177
550	0.950	-180	0.99	37	0.005	-15	0.918	-178
600	0.952	180	0.87	33	0.004	-14	0.929	-179
650	0.956	179	0.77	30	0.004	-9	0.935	-179
700	0.960	179	0.69	28	0.003	4	0.940	-179
750	0.964	179	0.61	25	0.003	11	0.946	180
800	0.964	178	0.55	23	0.003	20	0.949	180
850	0.965	177	0.50	21	0.003	32	0.955	179
900	0.968	177	0.46	18	0.003	38	0.954	179
950	0.969	177	0.42	17	0.003	46	0.959	178
1000	0.971	176	0.39	14	0.003	47	0.959	177
1050	0.971	176	0.36	12	0.004	57	0.967	177
1100	0.970	176	0.33	11	0.004	60	0.964	177
1150	0.973	175	0.30	9	0.004	69	0.964	176
1200	0.975	175	0.28	7	0.004	72	0.966	176
1250	0.973	174	0.26	5	0.005	78	0.971	175
1300	0.971	174	0.24	4	0.006	80	0.968	175
1350	0.973	174	0.23	3	0.006	83	0.970	174
1400	0.971	173	0.21	2	0.006	83	0.971	174
1450	0.969	173	0.20	1	0.006	91	0.970	174
1500	0.968	173	0.18	1	0.008	112	0.969	173

COMMON SOURCE S-PARAMETER (PD55035S)

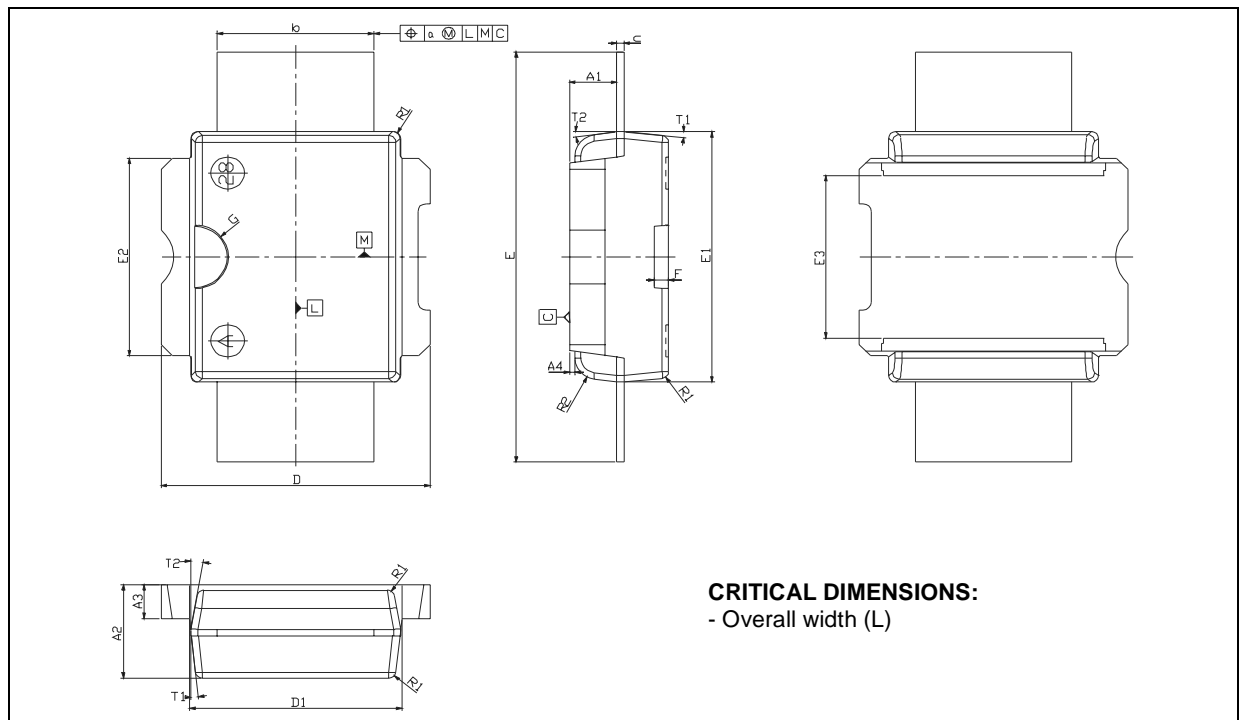
($V_{DS} = 12.5V$ $I_{DS} = 3A$)

FREQ (MHz)	$ S_{11} $	$\angle S_{11}$	$ S_{21} $	$\angle S_{21}$	$ S_{12} $	$\angle S_{12}$	$ S_{22} $	$\angle S_{22}$
50	0.867	-165	14.95	88	0.009	2	0.848	-174
100	0.896	-171	7.31	80	0.009	-4	0.856	-177
150	0.913	-175	4.92	75	0.008	-7	0.861	-177
200	0.921	-176	3.57	69	0.008	-9	0.866	-177
250	0.921	-177	2.82	64	0.008	-13	0.874	-177
300	0.929	-178	2.28	59	0.007	-12	0.882	-177
350	0.930	-178	1.90	54	0.007	-14	0.888	-178
400	0.936	-178	1.59	50	0.006	-16	0.896	-177
450	0.938	-179	1.36	45	0.005	-14	0.904	-178
500	0.947	-179	1.17	42	0.005	-11	0.915	-178
550	0.950	180	1.02	38	0.004	-10	0.917	-178
600	0.951	180	0.90	35	0.004	-6	0.927	-179
650	0.956	179	0.79	32	0.004	-3	0.934	-179
700	0.960	179	0.71	29	0.003	4	0.935	-179
750	0.963	178	0.64	26	0.003	17	0.943	180
800	0.962	178	0.58	24	0.003	21	0.948	179
850	0.964	177	0.52	22	0.004	32	0.951	179
900	0.967	177	0.48	20	0.003	41	0.949	178
950	0.969	177	0.44	18	0.003	36	0.958	178
1000	0.969	176	0.40	15	0.004	53	0.956	178
1050	0.969	176	0.37	14	0.004	58	0.963	177
1100	0.969	175	0.34	12	0.004	64	0.963	177
1150	0.971	175	0.32	10	0.004	69	0.961	176
1200	0.973	175	0.30	8	0.004	71	0.965	176
1250	0.971	174	0.27	6	0.005	77	0.967	175
1300	0.971	174	0.26	5	0.006	78	0.970	174
1350	0.973	174	0.24	4	0.006	80	0.965	175
1400	0.970	173	0.22	2	0.007	87	0.973	174
1450	0.968	173	0.21	3	0.006	91	0.967	174
1500	0.968	173	0.19	1	0.008	111	0.965	173

PowerSO-10RF Straight Lead MECHANICAL DATA

DIM.	mm			Inch		
	MIN.	TYP.	MAX	MIN.	TYP.	MAX
A1	1.62	1.67	1.72	0.064	0.065	0.068
A2	3.4	3.5	3.6	0.134	0.137	0.142
A3	1.2	1.3	1.4	0.046	0.05	0.054
A4	0.15	0.2	0.25	0.005	0.007	0.009
a		0.2			0.007	
b	5.4	5.53	5.65	0.212	0.217	0.221
c	0.23	0.27	0.32	0.008	0.01	0.012
D	9.4	9.5	9.6	0.370	0.374	0.377
D1	7.4	7.5	7.6	0.290	0.295	0.298
E	15.15	15.4	15.65	0.595	0.606	0.615
E1	9.3	9.4	9.5	0.365	0.37	0.375
E2	7.3	7.4	7.5	0.286	0.292	0.294
E3	5.9	6.1	6.3	0.231	0.24	0.247
F		0.5			0.019	
G		1.2			0.047	
R1			0.25			0.01
R2		0.8			0.031	
T1		6 deg			6 deg	
T2		10 deg			10 deg	

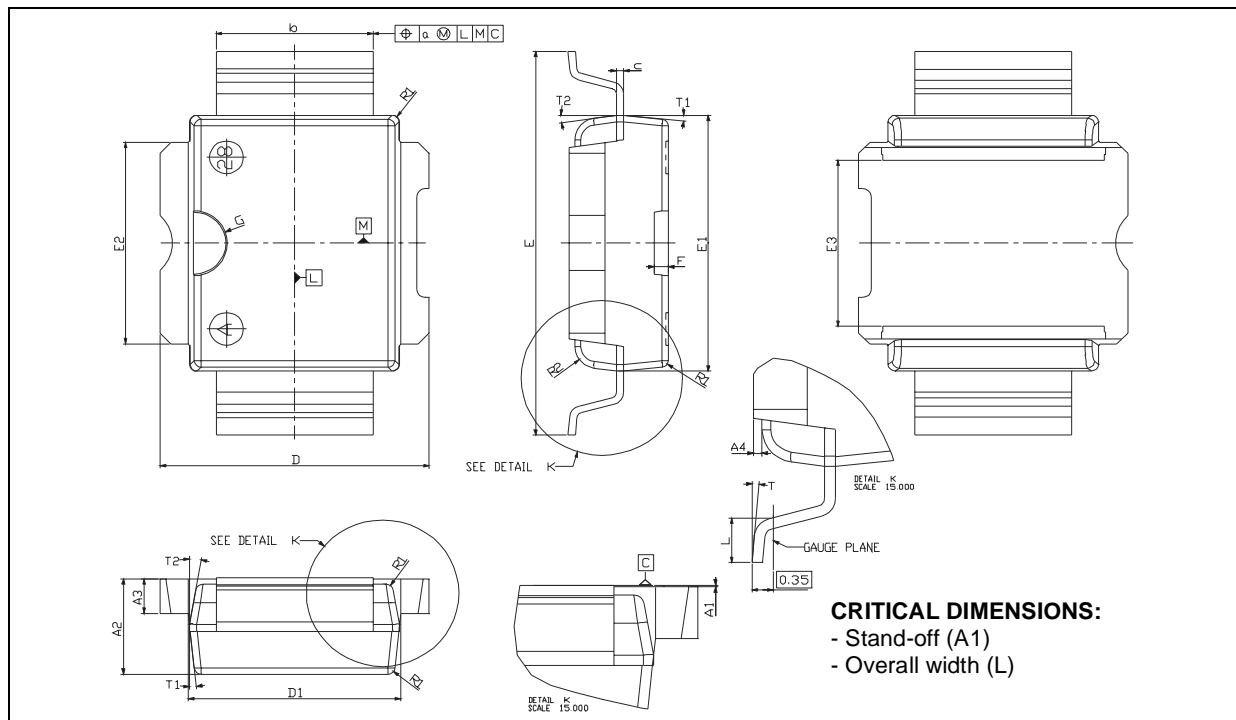
Note (1): Resin protrusions not included (max value: 0.15 mm per side)



PowerSO-10RF Formed Lead (Gull Wing) MECHANICAL DATA

DIM.	mm			Inch		
	MIN.	TYP.	MAX	MIN.	TYP.	MAX
A1	0	0.05	0.1	0.	0.0019	0.0038
A2	3.4	3.5	3.6	0.134	0.137	0.142
A3	1.2	1.3	1.4	0.046	0.05	0.054
A4	0.15	0.2	0.25	0.005	0.007	0.009
a		0.2			0.007	
b	5.4	5.53	5.65	0.212	0.217	0.221
c	0.23	0.27	0.32	0.008	0.01	0.012
D	9.4	9.5	9.6	0.370	0.374	0.377
D1	7.4	7.5	7.6	0.290	0.295	0.298
E	13.85	14.1	14.35	0.544	0.555	0.565
E1	9.3	9.4	9.5	0.365	0.37	0.375
E2	7.3	7.4	7.5	0.286	0.292	0.294
E3	5.9	6.1	6.3	0.231	0.24	0.247
F		0.5			0.019	
G		1.2			0.047	
L	0.8	1	1.1	0.030	0.039	0.042
R1			0.25			0.01
R2		0.8			0.031	
T	2 deg	5 deg	8 deg	2 deg	5 deg	8 deg
T1		6 deg			6 deg	
T2		10 deg			10 deg	

Note (1): Resin protrusions not included (max value: 0.15 mm per side)



Information furnished is believed to be accurate and reliable. However, STMicroelectronics assumes no responsibility for the consequences of use of such information nor for any infringement of patents or other rights of third parties which may result from its use. No license is granted by implication or otherwise under any patent or patent rights of STMicroelectronics. Specifications mentioned in this publication are subject to change without notice. This publication supersedes and replaces all information previously supplied. STMicroelectronics products are not authorized for use as critical components in life support devices or systems without express written approval of STMicroelectronics.

The ST logo is registered trademark of STMicroelectronics
© 2003 STMicroelectronics - All Rights Reserved

All other names are the property of their respective owners.

STMicroelectronics GROUP OF COMPANIES
Australia - Brazil - Canada - China - Finland - France - Germany - Hong Kong - India - Israel - Italy - Japan -
Malaysia - Malta - Morocco - Singapore - Spain - Sweden - Switzerland - United Kingdom - U.S.A.

<http://www.st.com>