



CE (Low Voltage Directive)

2 year warranty

Model name

PF 1000A-360

Name of series Nominal output power Nominal output voltage

Features

- CE marking (Low Voltage Directive)
- PFHC module
 - Conforms to IEC 1000-3-2
 - High power factor: 0.95, high efficiency: 90%
 - Input: 85 ~ 265VAC
 - Output: 500, 1000W
- Wide baseplate temperature: -20 ~ +85°C
 - Conduction cooling
- Provided in-rush current limiting
- N+1 parallel redundant operation
- 2 year warranty

Specifications

1. Input voltage range	85 ~ 265VAC (50/60Hz) PFHC range: 85 ~ 255VAC (50/60Hz)
2. Output voltage/current	PF500A-360/85 ~ 265VAC input: DC360V 1.4A 504W 170 ~ 265VAC input: DC360V 2.1A 756W PF1000A-360/85 ~ 265VAC input: DC360V 2.8A 1008W 170 ~ 265VAC input: DC360V 4.2A 1512W Output derating by input voltage/PF500A: 80% for 85VAC, 100% for 100 ~ 265VAC PF1000A: 85% for 85VAC, 100% for 95 ~ 265VAC
3. Efficiency (typ)	90% (100VAC, full load), 94% (200VAC, full load)
4. Power factor	0.95 (100VAC/200VAC at full load)
5. In-rush current	In-rush current limiting circuit: External limit resistor
6. Parallel operation	N+1 redundant operation. Output current balancing (PC terminal)
7. Cooling	Conduction cooling (Heatsink & airflow has to be chosen according to instruction manual)
8. Operating ambient temperature	Baseplate temperature: -20 ~ +85°C (output derating is different according to condition) Ambient temperature: above -20°C
9. Withstand voltage	Input/output terminal to baseplate: 3.0kVAC for 1 min.
10. Safety standard	Approved by UL1950 , CSA950(C-UL) , and EN60950 (BSI)
11. Functions	Over voltage, Thermal protection, PFHC power on signal (ENA terminal), Inverter good signal (IOG terminal), Auxiliary power supply for external signal (AUX terminal)
12. Recommended noise filter	PN-F series

Product lineup

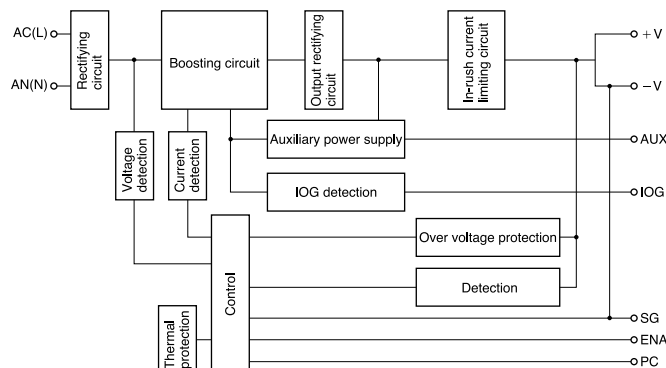
Note 1

Model	Nominal voltage range	Input voltage range	PFHC operation input voltage range	Input current (typ)	Nominal output voltage	Max. output current	Max. output power	UL	CSA	EN
PF500A-360	100 ~ 240VAC	85 ~ 265VAC (47 ~ 63Hz)	85 ~ 255VAC (47 ~ 63Hz)	5.6A	360VDC	1.4A	504W	○	○	○
	200 ~ 240VAC	170 ~ 265VAC (47 ~ 63Hz)	170 ~ 255VAC (47 ~ 63Hz)	4.0A	360VDC	2.1A	756W	○	○	○
PF1000A-360	100 ~ 240VAC	85 ~ 265VAC (47 ~ 63Hz)	85 ~ 225VAC (47 ~ 63Hz)	11.2A	360VDC	2.8A	1008W	○	○	○
	200 ~ 240VAC	170 ~ 265VAC (47 ~ 63Hz)	170 ~ 255VAC (47 ~ 63Hz)	8.0A	360VDC	4.2A	1512W	○	○	○

- Request customer specification for further details of specifications, outline, characteristics, etc. Read the instruction manual before usage.
- Contact us about delivery before ordering.

○ : Safety standard approved

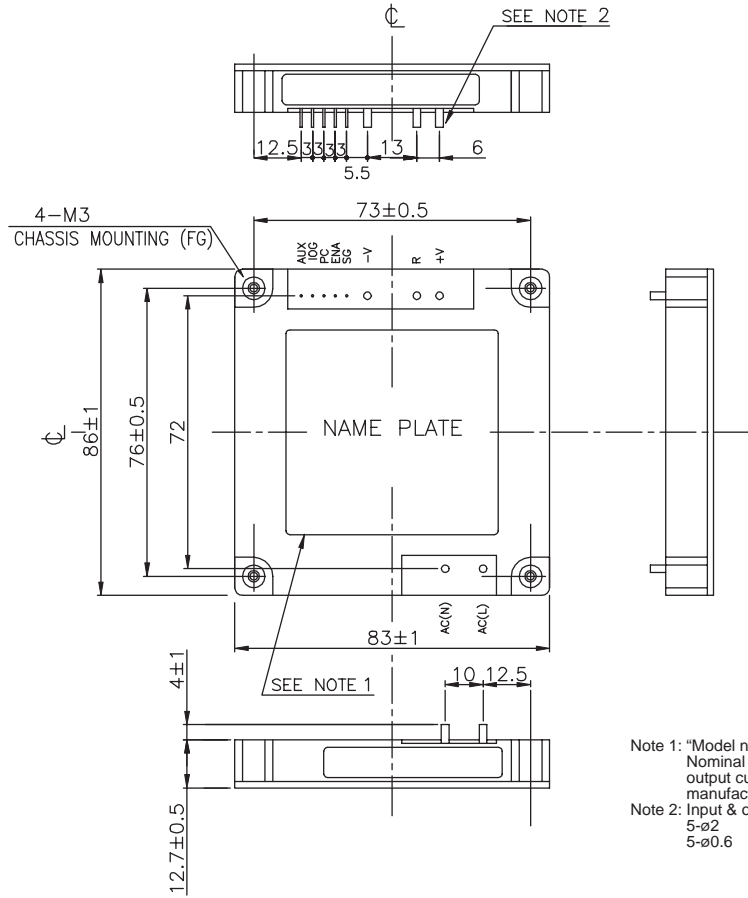
Block diagram



Note 1: Standard for input 100/200VAC and max. output power.
Note : The above specified value is on condition with external components attached. Filtering capacitor and in-rush current limiting resistor are required as external components. Attach an external fuse at input line.

PF-A-SERIES

PF500A-360

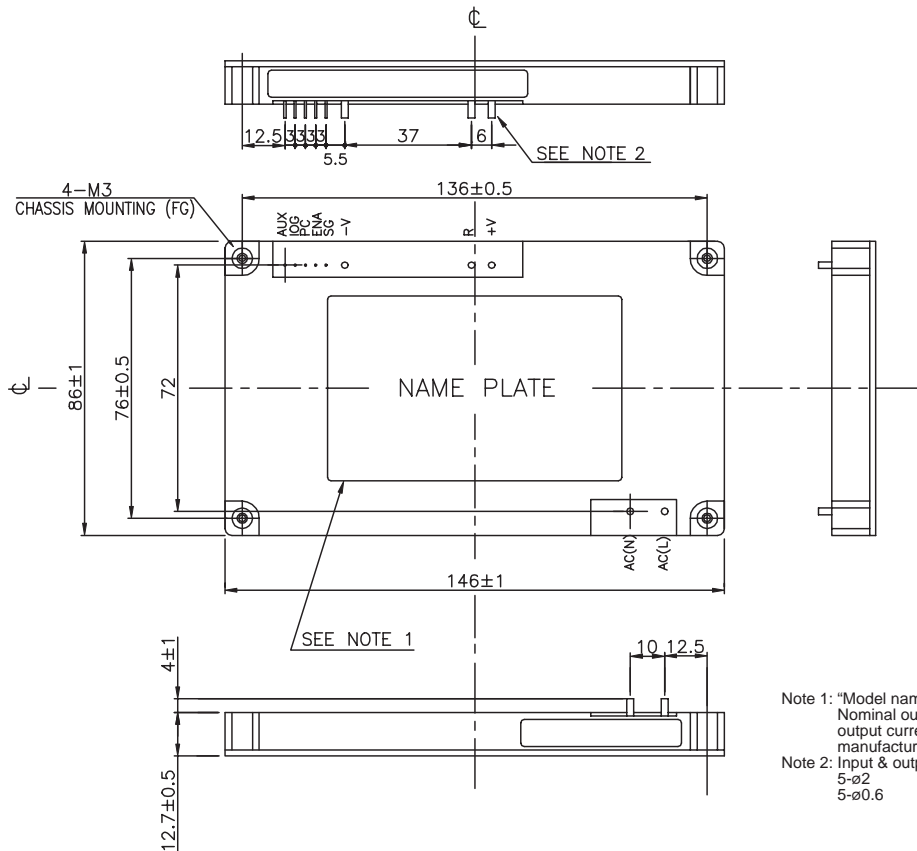


Note 1: "Model name, Input voltage range, Nominal output voltage, Maximum output current and country of manufacture are shown here.

Note 2: Input & output terminal
5- $\phi 2$
5- $\phi 0.6$

(Unit: mm)

PF1000A-360



Note 1: "Model name, Input voltage range, Nominal output voltage, Maximum output current and country of manufacture are shown here.

Note 2: Input & output terminal
5- $\phi 2$
5- $\phi 0.6$

(Unit: mm)