



**Power RF Amplifiers**

**Power 3 Watts**

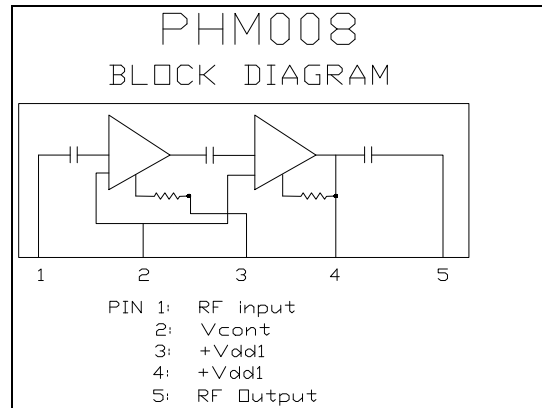
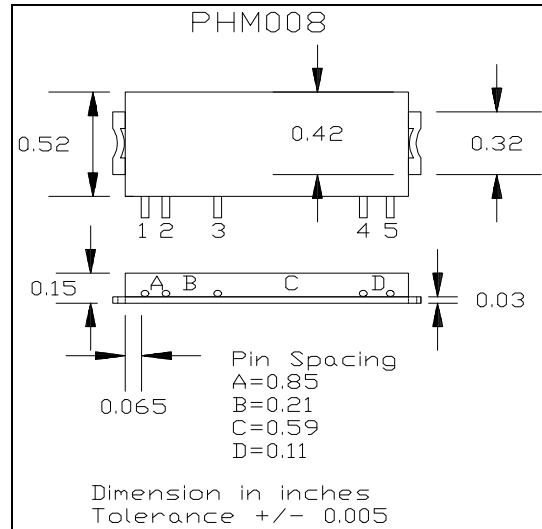
**Bandwidth = 400 to 520 Mhz**

**Gain = 24 dB Vdd = 7.5 Volts**

**50 ohms Input/Output Impedance**

**Description**

The PHM008 is a dual stage amplifier specifically designed for Land Mobile UHF band portable radio applications.



**Absolute Maximum Ratings ( T = 25 °C )**

Parameter	Symbol	Value	Unit
DC supply Voltage 1	VDD1	12	V
DC supply Voltage 2	VDD2		V
Input Power	Pin	0.5	W
Output Power	Pout	5	W
Operating Case Temp.	Tc	-20 to +70	°C
Storage Temp.	Tstg	-30 to +100	°C

**Electrical Characteristics: ( T = 25 °C Zs=Zl=50 ohms. Vdd = 7.5 Volts )**

Parameter	Symbol	Min	Typical	Max	Unit	Test Conditions
Frequency Range	BW	400		520	Mhz	50 ohm load
Output Power	Po	3			Watts	Idq = 0.6 Amps
Power Gain	PG	24			dB	@ Pout = 3 Watts
Total Efficiency	η	35			%	@ Pout = 3 Watts
2nd Harmonics	dso		-35		dBc	@ Pout = 3 W. Freq = 460 Mhz
Intermod - 2 tone	Ip3				dBm	Freq = 460 Mhz
Load Mismatch Tolerance	VSWR	10:1			Relative	All Phase Angles
DC supply Voltage 2	VDD2				V	

# PHM008

