

<p>TECHNICAL SPECIFICATION</p> <p>MODEL NO. : PM102WX1</p>
--

Customer's Confirmation

Customer _____

By _____

PVI's Confirmation

Confirmed By _____

Prepared By _____

PRIME VIEW INTERNATIONAL CO.,LTD.
3,LI SHIN RD. 1,SCIENCE-BASED INDUSTRIAL
PARK,HSINCHU,TAIWAN,R.O.C.
<http://www.pvi.com.tw>

Date: Feb.16,2005

This technical specification is subject to change without notice.

Please return 1 copy with your signature on this page for approval.

TECHNICAL SPECIFICATION**CONTENTS**

NO.	ITEM	PAGE
-	Cover	1
-	Contents	2
1	Application	3
2	Features	3
3	Mechanical Specifications	3
4	Mechanical Drawing of TFT-LCD module	4
5	Input / Output Terminals	6
6	Absolute Maximum Ratings	12
7	Electrical Characteristics	12
8	Pixel Arrangement	13
9	Display Color and Gray Scale Reference	14
10	Block Diagram	15
11	Interface Timing	16
12	Power On Sequence	21
13	Optical Characteristics	21
14	Handling Cautions	25
15	Reliability Test	26
16	Packing Diagram	27
-	Revision History	28

1. Application

This data sheet applies to a color TFT LCD module, PM102WX1.

PM102WX1 module applies to OA product, car TV (must use Analog to Digital driving board), which requires high quality flat panel display. If you must use in severe reliability environment, please don't extend over PVI's reliability test conditions.

If you use PM102WX1, Prime View advises your systems use PVI's timing controller IC (PVI-2002A) which will generate proper timing signals to control PM102WX1.

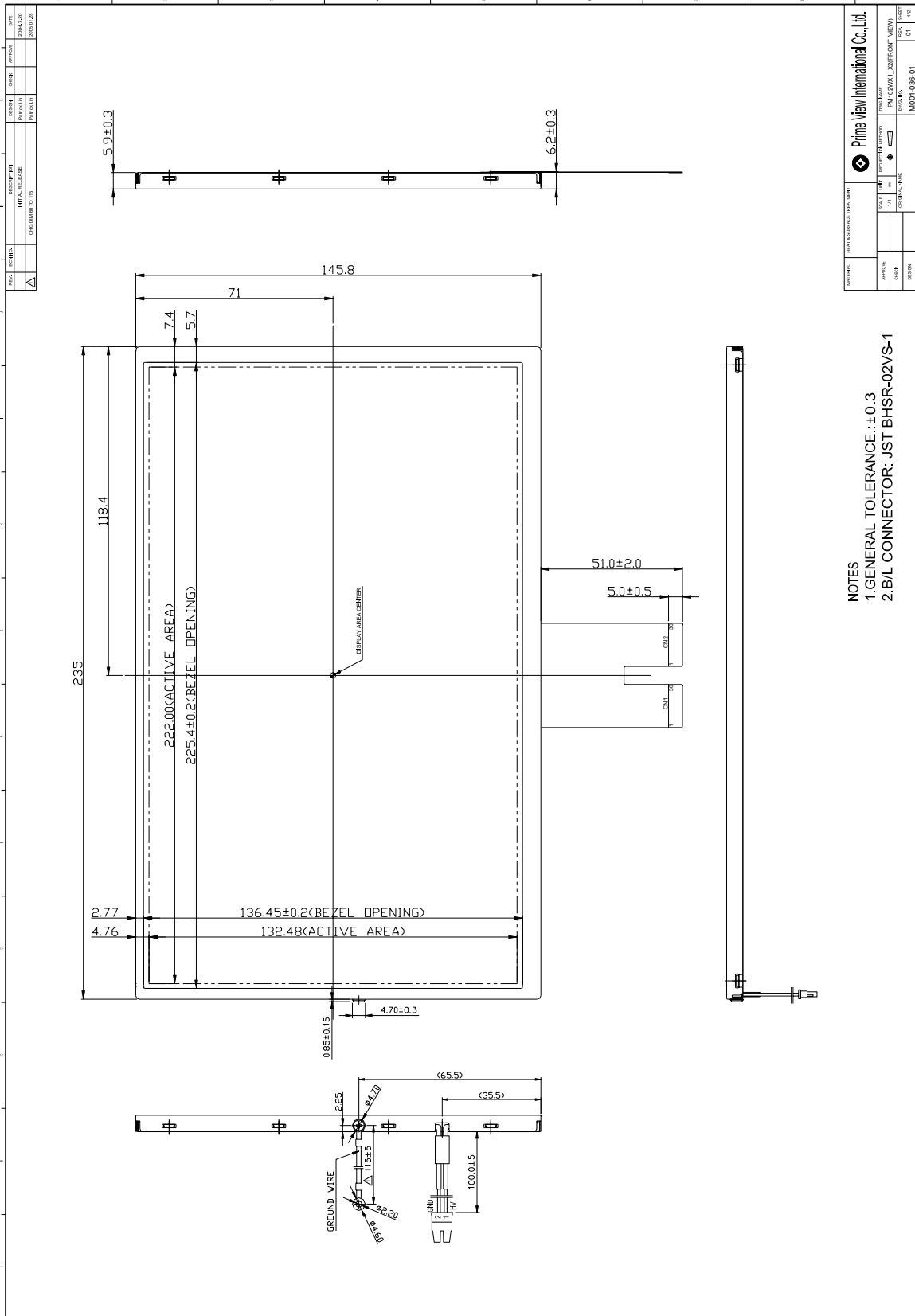
2. Features

- . Wide VGA (800*480 pixels) resolution
- . Amorphous silicon TFT LCD panel with back-light unit
- . Pixel in stripe configuration
- . Thin and light weight
- . Display Colors : 262,144 colors
- . Optimum Viewing Direction : 6 o'clock
- . TTL interface
- . Wide viewing angle

3. Mechanical Specifications

Parameter	Specifications	Unit
Screen Size	10.2 (diagonal)	inch
Display Format	800×(R, G, B)×480	dot
Display Colors	262,144	
Active Area	222.0(H)×132.48(V)	mm
Pixel Pitch	0.2775(H)×0.276(V)	mm
Pixel Configuration	Stripe	
Outline Dimension	235.0(W)×145.8 (H)×5.9 (D) (typ.)	mm
Weight	312±10	g
Back-light	CCFL, 1 tube	
Surface treatment	Anti-glare and Wide View Film	
Display mode	Normally white	

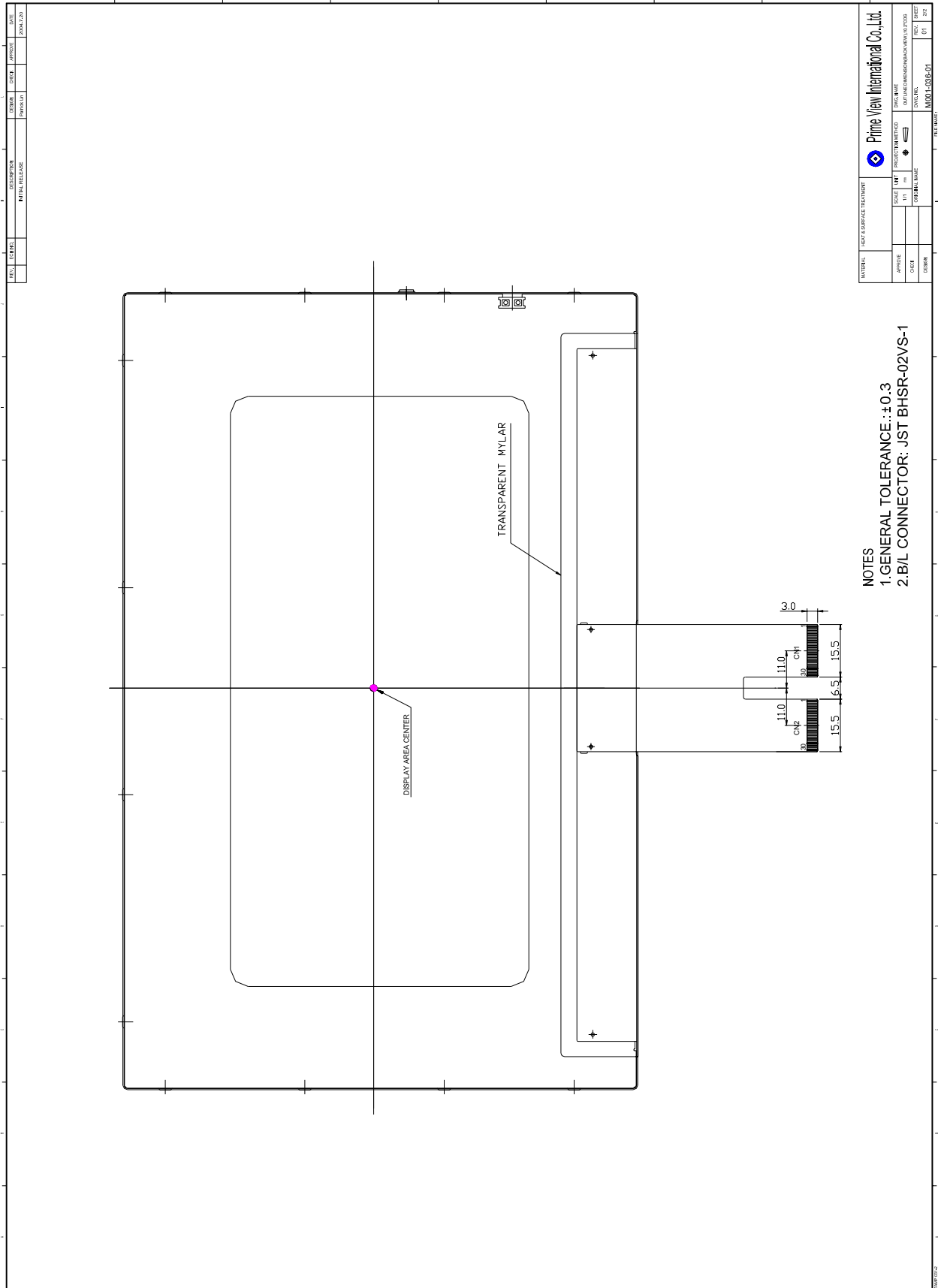
4.Mechanical Drawing of TFT-LCD Module Outline Drawing : Front View (unit : mm)



PRIME VIEW		PRIME VIEW INTERNATIONAL CO., LTD.	
SCALE	UNIT	PRODUCT REFERENCE	DRAWING NO.
1:1	MM	PM102WX1_01(FRONT VIEW)	PM102WX1_01
DATE	OPERATOR NAME	DATE	REVISION
		20060926-01	01

NOTES
 1. GENERAL TOLERANCE : ±0.3
 2. B/L CONNECTOR: JST BHSR-02VS-1

Outline Drawing : Rear View (unit : mm)



5. Input / Output Terminals
5-1) TFT-LCD Panel Driving

Connector type: ELCO, 6210-30PIN, PIN No 30 pins, pitch=0.5mm

CN 1

Pin No.	Symbol	I/O	Function	Remark
1	DIO1	I/O	Horizontal Start Pulse Signal Input or Output	Note 5-1
2	VSS1	I	Ground	
3	VDD1	I	Power Supply	
4	CLK	I	Horizontal Shift Clock	
5	VSS1	I	Ground	
6	R/L	I	Right / Left selection	Note 5-1
7	R0	I	Red Data (LSB)	
8	R1	I	Red Data	
9	R2	I	Red Data	
10	R3	I	Red Data	
11	R4	I	Red Data	
12	R5	I	Red Data (MSB)	
13	VSS1	I	Ground	
14	G0	I	Green Data (LSB)	
15	G1	I	Green Data	
16	G2	I	Green Data	
17	G3	I	Green Data	
18	G4	I	Green Data	
19	G5	I	Green Data (MSB)	
20	VSS1	I	Ground	
21	B0	I	Blue Data (LSB)	
22	B1	I	Blue Data	
23	B2	I	Blue Data	
24	B3	I	Blue Data	
25	B4	I	Blue Data	
26	B5	I	Blue Data (MSB)	
27	LD	I	Load output signal	Note 5-2
28	REV	I	Data invert control	Note 5-3
29	POL	I	Polarity selection	Note 5-4
30	DIO2	I/O	Horizontal Start Pulse Signal Input or Output	Note 5-1

CN 2

Pin No.	Symbol	I/O	Function	Remark
1	VSS2	I	Ground	
2	V1	I	Gamma Voltage 1	Note 5-10
3	V2	I	Gamma Voltage 2	Note 5-10
4	V3	I	Gamma Voltage 3	Note 5-10
5	V4	I	Gamma Voltage 4	Note 5-10
6	V5	I	Gamma Voltage 5	Note 5-10
7	V6	I	Gamma Voltage 6	Note 5-10
8	V7	I	Gamma Voltage 7	Note 5-10
9	VSS2	I	Ground	
10	V8	I	Gamma Voltage 8	Note 5-10
11	V9	I	Gamma Voltage 9	Note 5-10
12	V10	I	Gamma Voltage 10	Note 5-10
13	V11	I	Gamma Voltage 11	Note 5-10
14	V12	I	Gamma Voltage 12	Note 5-10
15	V13	I	Gamma Voltage 13	Note 5-10
16	V14	I	Gamma Voltage 14	Note 5-10
17	VSS2	I	Ground	
18	VDD2	I	Voltage for analog circuit	Note 5-10
19	VCOM	I	Common Voltage	
20	XON	I	NC	
21	OE	I	Output Enable	Note 5-5
22	U/D	I	Up / Down Selection	Note 5-6
23	CKV	I	Vertical Shift Clock	Note 5-7
24	STVU	I/O	Vertical Shift Pulse Signal Input or Output	Note 5-6
25	STVD	I/O	Vertical Shift Pulse Signal Input or Output	Note 5-6
26	VGG	I	Gate On Voltage	Note 5-8
27	GND	I	Ground	
28	VCC	I	Voltage for logic circuit	
29	GND	I	Ground	
30	VEE	I	Gate Off Voltage	Note 5-9

Note 5-1: Select left or right shift

R/L	DIO1	DIO2	Shift
1	Input	Hi-Z	Left to right
0	Hi-Z	Input	Right to left

Note 5-2: Latch the polarity of outputs and switch the new data to outputs
At the rising edge (CLK), latch the "POL" signal to control the polarity of the outputs.

Note 5-3: Control whether the Data R0~G5 are inverted or not. (PVI suggests connecting to GND)
When "REV=1", these data will be inverted.
EX: "00"→"3F", "07"→"38", "15"→"2A"

Note 5-4: Polarity selector for dot-inversion control. Available at the rising edge of LD.
When POL=1: Even outputs range from V1~V7, and Odd outputs range from V8~V14;
When POL=0: Even outputs range from V8~V14, and Odd outputs range from V1~V7.

Note 5-5: When OE is connected to high “1”, the driver outputs are disabled (Gate output = V_{EE}). Under this condition, the operation of registers will not be affected.

Note 5-6: Select up or down shift

U/D	STVU	STVD	Shift
1	Hi-Z	Input	Down to Up
0	Input	Hi-Z	Up to Down

Note 5-7: Gate driver shift clock

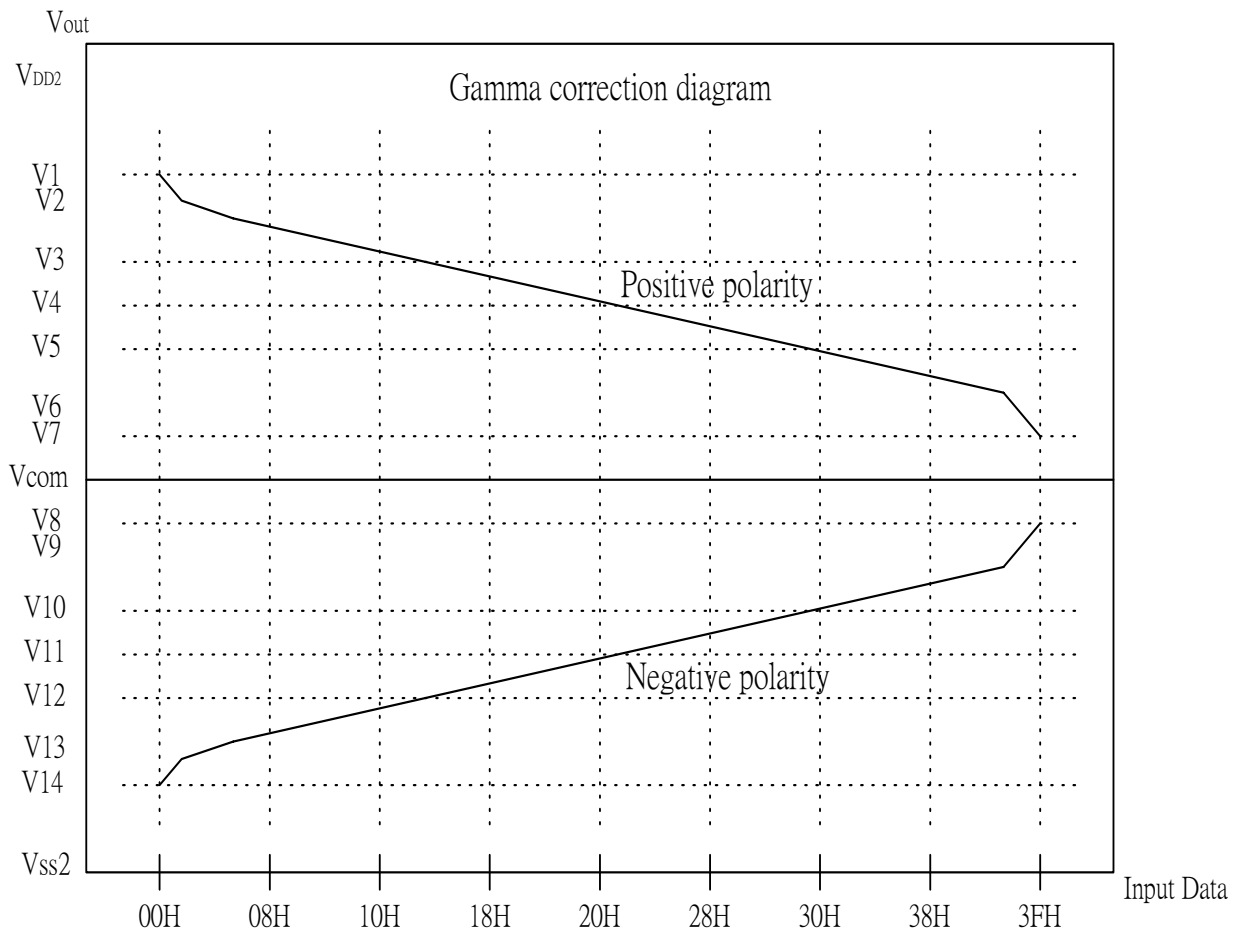
Note 5-8: Gate on voltage, $V_{GG}=16V$.

Note 5-9: Gate off voltage, $V_{EE}=-9V$.

Note 5-10:

1) Relationship between input data and output voltage

The figure below shows the relationship between the input data and the output voltage with the polarity. The range of V1~V7 is for positive polarity, and V8~V14 for negative polarity. Please refer to the following pages to get the related resistor values and voltage calculation method.



Remark: $V_{DD2}-0.1 \geq V1 \geq V2 \geq V3 \geq V4 \geq V5 \geq V6 \geq V7$; $V8 \geq V9 \geq V10 \geq V11 \geq V12 \geq V13 \geq V14 \geq V_{SS2}+0.1V$.

2) Output voltage and input data

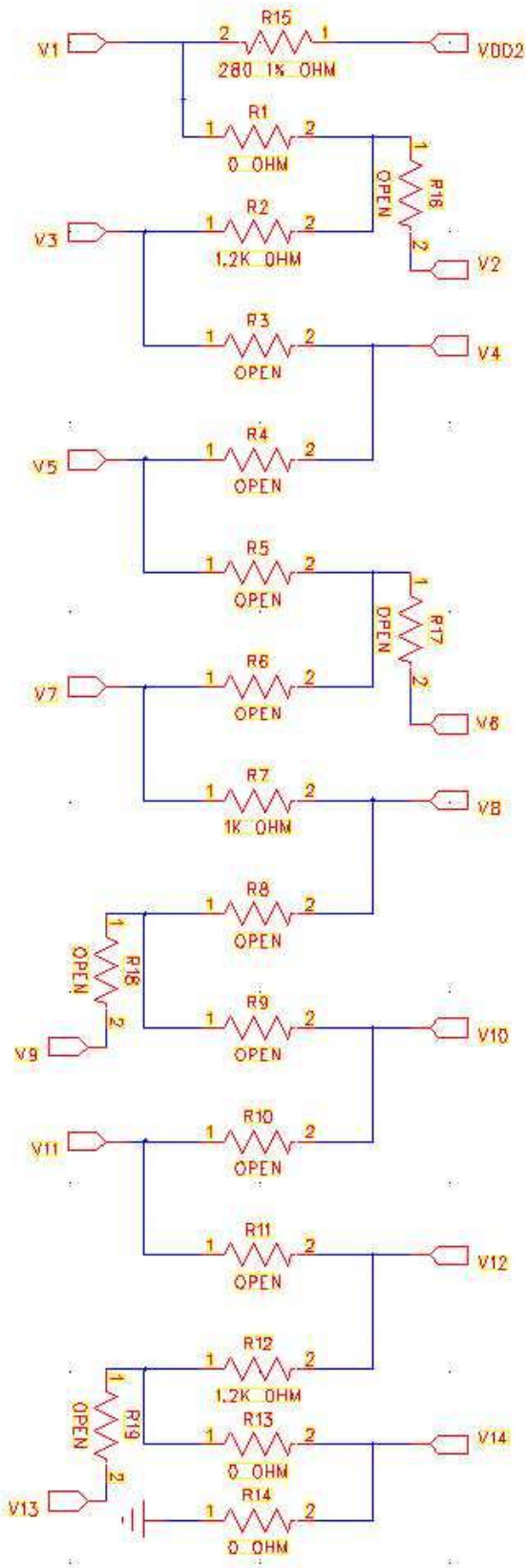
Output Voltage to Panel V.S. Input Data

Data	Positive polarity Output Voltage	Negative polarity Output Voltage
00H	V1	V14
01H	$V2=V3+(V1-V3) \times 58 / 64.4$	$V13=V14+(V12-V14) \times 6.4 / 64.4$
02H	$V3+(V1-V3) \times 52 / 64.4$	$V14+(V12-V14) \times 12.4 / 64.4$
03H	$V3+(V1-V3) \times 46.4 / 64.4$	$V14+(V12-V14) \times 18 / 64.4$
04H	$V3+(V1-V3) \times 41.2 / 64.4$	$V14+(V12-V14) \times 23.2 / 64.4$
05H	$V3+(V1-V3) \times 36.4 / 64.4$	$V14+(V12-V14) \times 28 / 64.4$
06H	$V3+(V1-V3) \times 32 / 64.4$	$V14+(V12-V14) \times 32.4 / 64.4$
07H	$V3+(V1-V3) \times 27.6 / 64.4$	$V14+(V12-V14) \times 36.8 / 64.4$
08H	$V3+(V1-V3) \times 23.6 / 64.4$	$V14+(V12-V14) \times 40.8 / 64.4$
09H	$V3+(V1-V3) \times 19.6 / 64.4$	$V14+(V12-V14) \times 44.8 / 64.4$
0AH	$V3+(V1-V3) \times 16.4 / 64.4$	$V14+(V12-V14) \times 48 / 64.4$
0BH	$V3+(V1-V3) \times 13.2 / 64.4$	$V14+(V12-V14) \times 51.2 / 64.4$
0CH	$V3+(V1-V3) \times 10.4 / 64.4$	$V14+(V12-V14) \times 54 / 64.4$
0DH	$V3+(V1-V3) \times 7.6 / 64.4$	$V14+(V12-V14) \times 56.8 / 64.4$
0EH	$V3+(V1-V3) \times 4.8 / 64.4$	$V14+(V12-V14) \times 59.6 / 64.4$
0FH	$V3+(V1-V3) \times 2.4 / 64.4$	$V14+(V12-V14) \times 62 / 64.4$
10H	V3	V12
11H	$V4+(V3-V4) \times 19.6 / 22$	$V12+(V11-V12) \times 2.4 / 22$
12H	$V4+(V3-V4) \times 17.6 / 22$	$V12+(V11-V12) \times 4.4 / 22$
13H	$V4+(V3-V4) \times 15.6 / 22$	$V12+(V11-V12) \times 6.4 / 22$
14H	$V4+(V3-V4) \times 13.6 / 22$	$V12+(V11-V12) \times 8.4 / 22$
15H	$V4+(V3-V4) \times 12 / 22$	$V12+(V11-V12) \times 10 / 22$
16H	$V4+(V3-V4) \times 10.4 / 22$	$V12+(V11-V12) \times 11.6 / 22$
17H	$V4+(V3-V4) \times 8.8 / 22$	$V12+(V11-V12) \times 13.2 / 22$
18H	$V4+(V3-V4) \times 7.6 / 22$	$V12+(V11-V12) \times 14.4 / 22$
19H	$V4+(V3-V4) \times 6.4 / 22$	$V12+(V11-V12) \times 15.6 / 22$
1AH	$V4+(V3-V4) \times 5.2 / 22$	$V12+(V11-V12) \times 16.8 / 22$
1BH	$V4+(V3-V4) \times 4 / 22$	$V12+(V11-V12) \times 18 / 22$
1CH	$V4+(V3-V4) \times 3.2 / 22$	$V12+(V11-V12) \times 18.8 / 22$
1DH	$V4+(V3-V4) \times 2.4 / 22$	$V12+(V11-V12) \times 19.6 / 22$
1EH	$V4+(V3-V4) \times 1.6 / 22$	$V12+(V11-V12) \times 20.4 / 22$
1FH	$V4+(V3-V4) \times 0.8 / 22$	$V12+(V11-V12) \times 21.2 / 22$

Output Voltage to Panel V.S. Input Data (continued)

Data	Positive polarity Output Voltage	Negative polarity Output Voltage
20H	V4	V11
21H	$V5+(V4-V5) \times 12 / 12.8$	$V11+(V10-V11) \times 0.8 / 12.8$
22H	$V5+(V4-V5) \times 11.2 / 12.8$	$V11+(V10-V11) \times 1.6 / 12.8$
23H	$V5+(V4-V5) \times 10.4 / 12.8$	$V11+(V10-V11) \times 2.4 / 12.8$
24H	$V5+(V4-V5) \times 9.6 / 12.8$	$V11+(V10-V11) \times 3.2 / 12.8$
25H	$V5+(V4-V5) \times 8.8 / 12.8$	$V11+(V10-V11) \times 4 / 12.8$
26H	$V5+(V4-V5) \times 8 / 12.8$	$V11+(V10-V11) \times 4.8 / 12.8$
27H	$V5+(V4-V5) \times 7.2 / 12.8$	$V11+(V10-V11) \times 5.6 / 12.8$
28H	$V5+(V4-V5) \times 6.4 / 12.8$	$V11+(V10-V11) \times 6.4 / 12.8$
29H	$V5+(V4-V5) \times 5.6 / 12.8$	$V11+(V10-V11) \times 7.2 / 12.8$
2AH	$V5+(V4-V5) \times 4.8 / 12.8$	$V11+(V10-V11) \times 8 / 12.8$
2BH	$V5+(V4-V5) \times 4 / 12.8$	$V11+(V10-V11) \times 8.8 / 12.8$
2CH	$V5+(V4-V5) \times 3.2 / 12.8$	$V11+(V10-V11) \times 9.6 / 12.8$
2DH	$V5+(V4-V5) \times 2.4 / 12.8$	$V11+(V10-V11) \times 10.4 / 12.8$
2EH	$V5+(V4-V5) \times 1.6 / 12.8$	$V11+(V10-V11) \times 11.2 / 12.8$
2FH	$V5+(V4-V5) \times 0.8 / 12.8$	$V11+(V10-V11) \times 12 / 12.8$
30H	V5	V10
31H	$V7+(V5-V7) \times 26.8 / 27.6$	$V10+(V8-V10) \times 0.8 / 27.6$
32H	$V7+(V5-V7) \times 26 / 27.6$	$V10+(V8-V10) \times 1.6 / 27.6$
33H	$V7+(V5-V7) \times 25.2 / 27.6$	$V10+(V8-V10) \times 2.4 / 27.6$
34H	$V7+(V5-V7) \times 24.4 / 27.6$	$V10+(V8-V10) \times 3.2 / 27.6$
35H	$V7+(V5-V7) \times 23.6 / 27.6$	$V10+(V8-V10) \times 4 / 27.6$
36H	$V7+(V5-V7) \times 22.4 / 27.6$	$V10+(V8-V10) \times 5.2 / 27.6$
37H	$V7+(V5-V7) \times 21.2 / 27.6$	$V10+(V8-V10) \times 6.4 / 27.6$
38H	$V7+(V5-V7) \times 20 / 27.6$	$V10+(V8-V10) \times 7.6 / 27.6$
39H	$V7+(V5-V7) \times 18.4 / 27.6$	$V10+(V8-V10) \times 9.2 / 27.6$
3AH	$V7+(V5-V7) \times 16.8 / 27.6$	$V10+(V8-V10) \times 10.8 / 27.6$
3BH	$V7+(V5-V7) \times 14.8 / 27.6$	$V10+(V8-V10) \times 12.8 / 27.6$
3CH	$V7+(V5-V7) \times 12.8 / 27.6$	$V10+(V8-V10) \times 14.8 / 27.6$
3DH	$V7+(V5-V7) \times 10.4 / 27.6$	$V10+(V8-V10) \times 17.2 / 27.6$
3EH	$V7+(V5-V7) \times 6.4 / 27.6$	$V10+(V8-V10) \times 21.2 / 27.6$
3FH	V7	V8

3) Typical Application Circuit (When $V_{DD2} = +8.8V$)



5-2) Backlight driving

Connector type: JST BHR-02VS-1, PIN No 2 pins, pitch=3.5mm

Pin No	Symbol	Description	Remark
1	VL1	Input terminal (Hi voltage side)	Wire color : Pink
2	VL2	Input terminal (Low voltage side)	Wire color : White Note 5-11

Note 5-11: Low voltage side of backlight inverter connects with ground of inverter circuits.

6. Absolute Maximum Ratings:
 $V_{SS1}=V_{SS2}=GND=0V, Ta=25^{\circ}C$

Parameters	Symbol	MIN.	MAX.	Unit	Remark
Supply Voltage	V_{DD1}	-0.3	5.0	V	
	V_{CC}			V	
	V_{DD2}	-0.5	12.0	V	
	V_{GG}	-0.3	40.0	V	
	$V_{GG}-V_{EE}$	-	40	V	
	V_{EE}	-20	0.3	V	
Digital Input	V_{IN}	-0.5	$V_{CC}+0.5$	V	
Backlight Driving Voltage	V_L	-	2000	V	
Backlight Driving Frequency	F_L	0	100	KHz	
Storage Temperature	T_{ST}	-30	80	$^{\circ}C$	
Operating Temperature	T_{OP}	-20	80	$^{\circ}C$	

7. Electrical Characteristics
7-1) Recommended Operating Conditions:
 $V_{SS1}=V_{SS2}=GND=0V, Ta=25^{\circ}C$

Item	Symbol	Min.	Typ.	Max.	Unit	Remark
Supply Voltage for Source Driver	V_{DD1}	3.0	3.3	3.6	V	
	V_{DD2}	8.2	8.8	9.2	V	
Supply Voltage for Gate Driver	V_{GG}	-	16	-	V	
	V_{EE}	-	-9	-	V	
	V_{CC}	3.0	3.3	3.6	V	
Digital Input Voltage	V_{IH}	$0.8V_{DD1}$	-	V_{DD1}	V	
	V_{IL}	0	-	$0.2V_{DD1}$	V	

7-2) Recommended Driving Condition for Back Light
 $Ta=25^{\circ}C$

Parameter	Symbol	Min.	Typ.	Max.	Unit	Remark
Lamp Voltage	V_L	711	790	869	V	$I_L=6mA$
Lamp Current	I_L	4	6	8	mA	Note 7-1
Lamp Frequency	P_L	30	60	80	KHz	Note 7-2
Starting Voltage (25 $^{\circ}C$) (Reference Value)	V_s	-	-	1270	Vrms	Note 7-3
Starting Voltage (0 $^{\circ}C$) (Reference Value)	V_s	-	-	1650	Vrms	Note 7-3

Note 7-1: In order to have proper operation of the B/L, no matter what kind of inverters, the output lamp current must be between Min. and Max. values to avoid the abnormal display image caused by B/L.

Note 7-2: The waveform of lamp driving voltage should be as close to a perfect sine wave as possible.

Note 7-3: This value is not the output voltage of inverter.
 The voltage of inverter must be larger than the starting voltage.
 The kick-off time must larger than 1 second.

7-3) Power Consumption

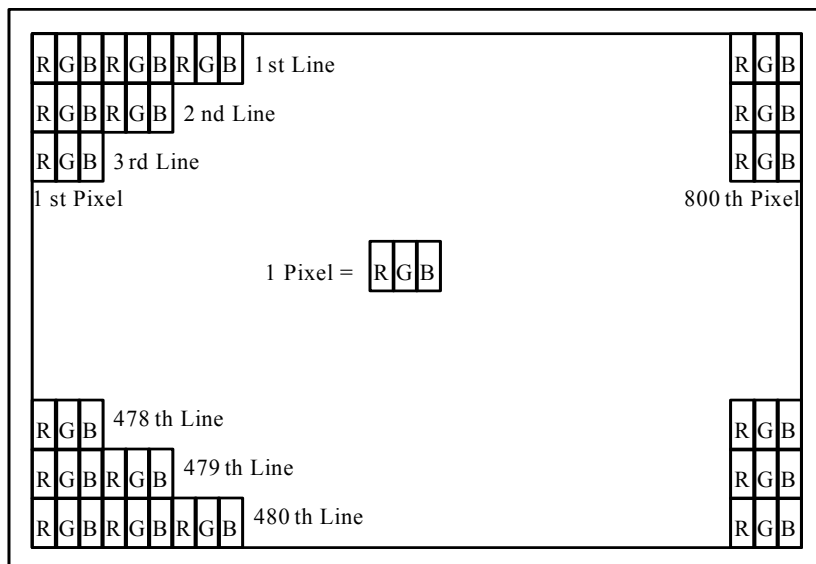
Parameter	Symbol	Min.	Typ.	Max.	Unit	Remark
Supply Current for Gate Driver (Hi level)	I_{GG}	$V_{GH}=+27V$	0.37	0.56	mA	
Supply Current for Gate Driver (Low level)	I_{EE}	$V_{EE}=-10V$	2.67	4.0	mA	
Supply Current for Source Driver (Digital)	I_{DD1}	$V_{DD1}=+3.3V$	6.0	10	mA	
Supply Current for Source Driver (Analog)	I_{DD2}	$V_{DD2}=+9.5V$	32.5	48.8	mA	
Supply Current for Gate Driver (Digital)	I_{CC}	$V_{CC}=+3.3V$	0.012	0.017	mA	
LCD Panel Power Consumption			381.5		mW	Note 7-4
Back Light Lamp Power Consumption			4.74		W	Note 7-5

Note 7-4: The power consumption for back light is not included.

Note 7-5: Back light lamp power consumption is calculated by $I_L \times V_L$.

8. Pixel Arrangement

The LCD module pixel arrangement is stripe configuration.

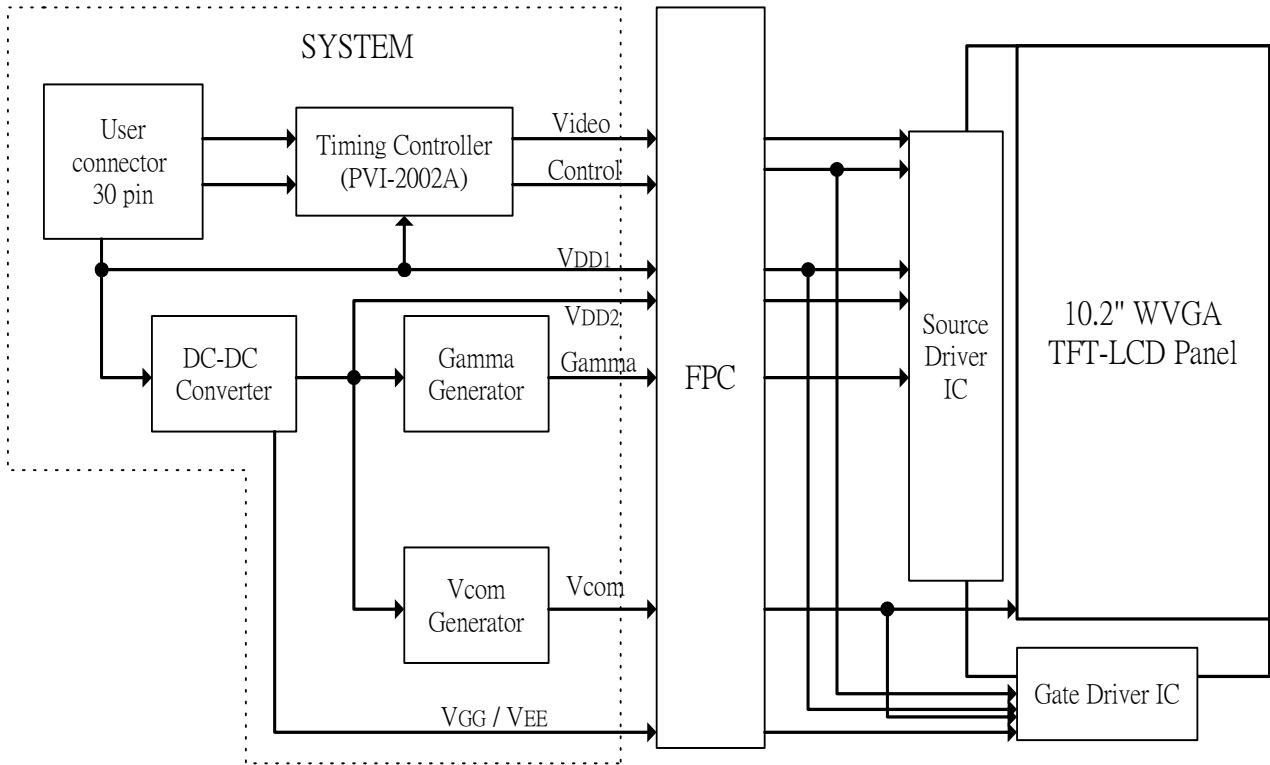


9. Display Color and Gray Scale Reference

Color		Input Color Data																	
		Red						Green						Blue					
		R5	R4	R3	R2	R1	R0	G5	G4	G3	G2	G1	G0	B5	B4	B3	B2	B1	B0
Basic Colors	Black	0	0	0	0	0	0	0	0	0	0	0	0	0	0	0	0	0	0
	Red (63)	1	1	1	1	1	1	0	0	0	0	0	0	0	0	0	0	0	0
	Green (63)	0	0	0	0	0	0	1	1	1	1	1	1	0	0	0	0	0	0
	Blue (63)	0	0	0	0	0	0	0	0	0	0	0	0	1	1	1	1	1	1
	Cyan	0	0	0	0	0	0	1	1	1	1	1	1	1	1	1	1	1	1
	Magenta	1	1	1	1	1	1	0	0	0	0	0	0	1	1	1	1	1	1
	Yellow	1	1	1	1	1	1	1	1	1	1	1	1	0	0	0	0	0	0
	White	1	1	1	1	1	1	1	1	1	1	1	1	1	1	1	1	1	1
Red	Red (00)	0	0	0	0	0	0	0	0	0	0	0	0	0	0	0	0	0	0
	Red (01)	0	0	0	0	0	1	0	0	0	0	0	0	0	0	0	0	0	0
	Red (02)	0	0	0	0	1	0	0	0	0	0	0	0	0	0	0	0	0	0
	Darker																		
	↓	↓	↓	↓	↓	↓	↓	↓	↓	↓	↓	↓	↓	↓	↓	↓	↓	↓	↓
	Brighter																		
	Red (61)	1	1	1	1	0	1	0	0	0	0	0	0	0	0	0	0	0	0
	Red (62)	1	1	1	1	1	0	0	0	0	0	0	0	0	0	0	0	0	0
Red (63)	1	1	1	1	1	1	0	0	0	0	0	0	0	0	0	0	0	0	
Green	Green (00)	0	0	0	0	0	0	0	0	0	0	0	0	0	0	0	0	0	0
	Green (01)	0	0	0	0	0	0	0	0	0	0	0	1	0	0	0	0	0	0
	Green (02)	0	0	0	0	0	0	0	0	0	0	1	0	0	0	0	0	0	0
	Darker																		
	↓	↓	↓	↓	↓	↓	↓	↓	↓	↓	↓	↓	↓	↓	↓	↓	↓	↓	↓
	Brighter																		
	Green (61)	0	0	0	0	0	0	1	1	1	1	0	1	0	0	0	0	0	0
	Green (62)	0	0	0	0	0	0	1	1	1	1	1	0	0	0	0	0	0	0
Green (63)	0	0	0	0	0	0	1	1	1	1	1	1	0	0	0	0	0	0	
Blue	Blue (00)	0	0	0	0	0	0	0	0	0	0	0	0	0	0	0	0	0	0
	Blue (01)	0	0	0	0	0	0	0	0	0	0	0	0	0	0	0	0	0	1
	Blue (02)	0	0	0	0	0	0	0	0	0	0	0	0	0	0	0	0	1	0
	Darker																		
	↓	↓	↓	↓	↓	↓	↓	↓	↓	↓	↓	↓	↓	↓	↓	↓	↓	↓	↓
	Brighter																		
	Blue (61)	0	0	0	0	0	0	0	0	0	0	0	0	1	1	1	1	0	1
	Blue (62)	0	0	0	0	0	0	0	0	0	0	0	0	1	1	1	1	1	0
Blue (63)	0	0	0	0	0	0	0	0	0	0	0	0	1	1	1	1	1	1	

10. Block Diagram

10-1) TFT-module Block Diagram



If you use PM102WX1, you can apply PVI-2002A(Timing controller) which will generate timing signals to support PM102WX1.

11. Interface Timing
11.1) Timing Parameters

AC Electrical Characteristics ($V_{CC}=V_{DD1}=3.3V$, $V_{DD2}=9.5V$, $GND=V_{SS1}=V_{SS2}=0V$, $T_a=25^{\circ}C$)

Parameter	Symbol	Min.	Typ.	Max.	Unit
CLK Frequency	Fclk	-	32	40	MHz
CLK Pulse Width	Tew	25	-	-	ns
Data Set-up Time	Tsu	4	-	-	ns
Data Hold Time	Thd	2	-	-	ns
Propagation Delay of DIO2/1	Tphl	6	10	15	ns
Time That The Last Data to LD	Tld	1	-	-	Tcw
Pulse width of LD	Twld	2	-	-	Tcw
Time That LD to DIO1/2	Tlds	5	-	-	Tcw
POL Set-up Time	Tpsu	6	-	-	ns
POL Hold Time	Tphd	6	-	-	ns
OE Pulse Width	T _{OE} V	1	-	-	μs
CKV Pulse Width	T _{CKV}	500	-	-	ns
STV Set-up Time	T _{SUV}	400	-	-	ns
STV Hold Time	T _{HDV}	400	-	-	ns
Horizontal Display Period	T _{HDP}	-	800	-	Tcw
Horizontal Period Timing Range	T _{HP}	-	1056	-	Tcw
Horizontal Lines Per Field	T _V	484	508	620	T _{HP}
Vertical Display Timing Range	T _{DV}	-	480	-	T _{HP}

11.2) Timing Diagram

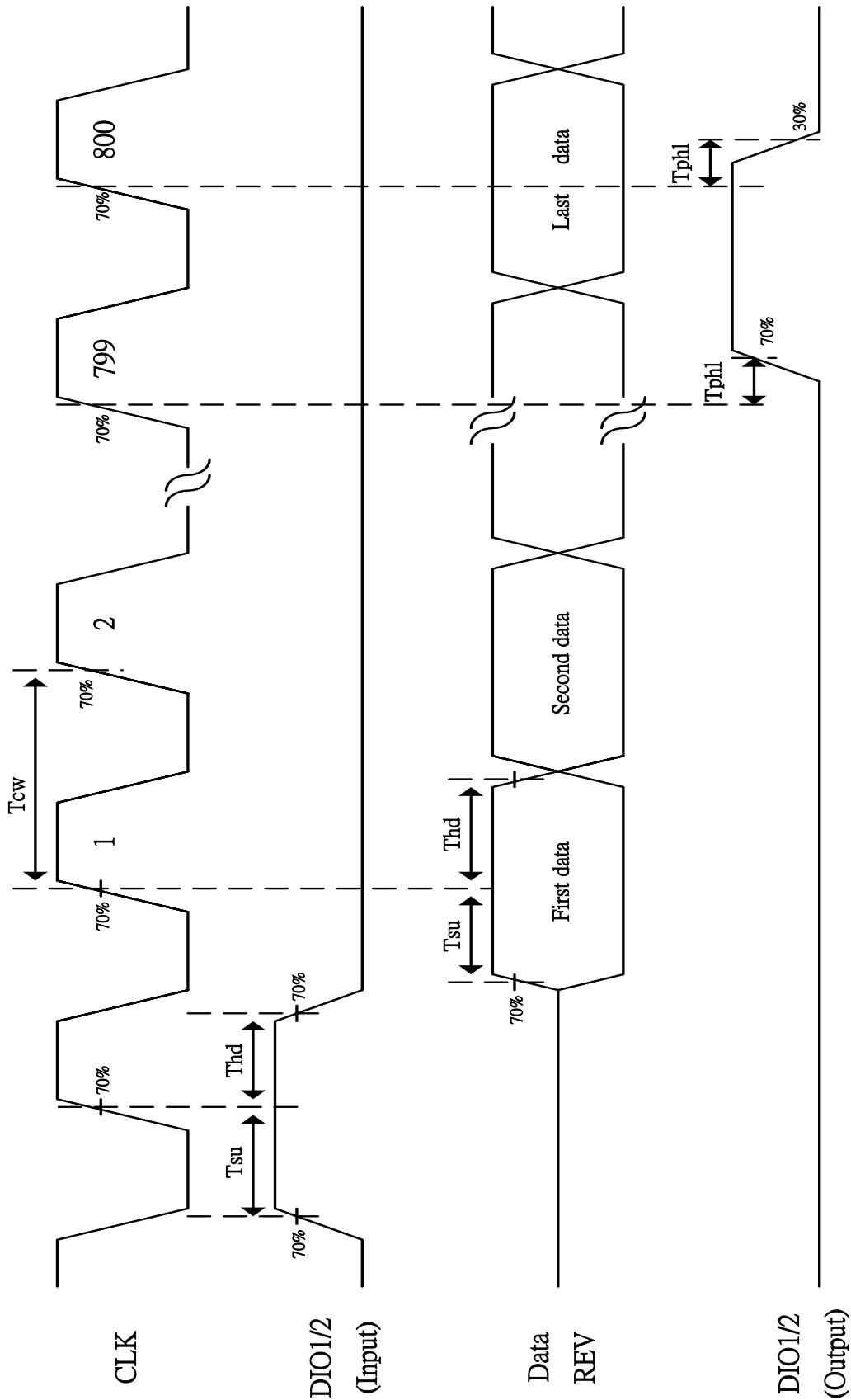


Fig. 11-1 Horizontal Timing(1)

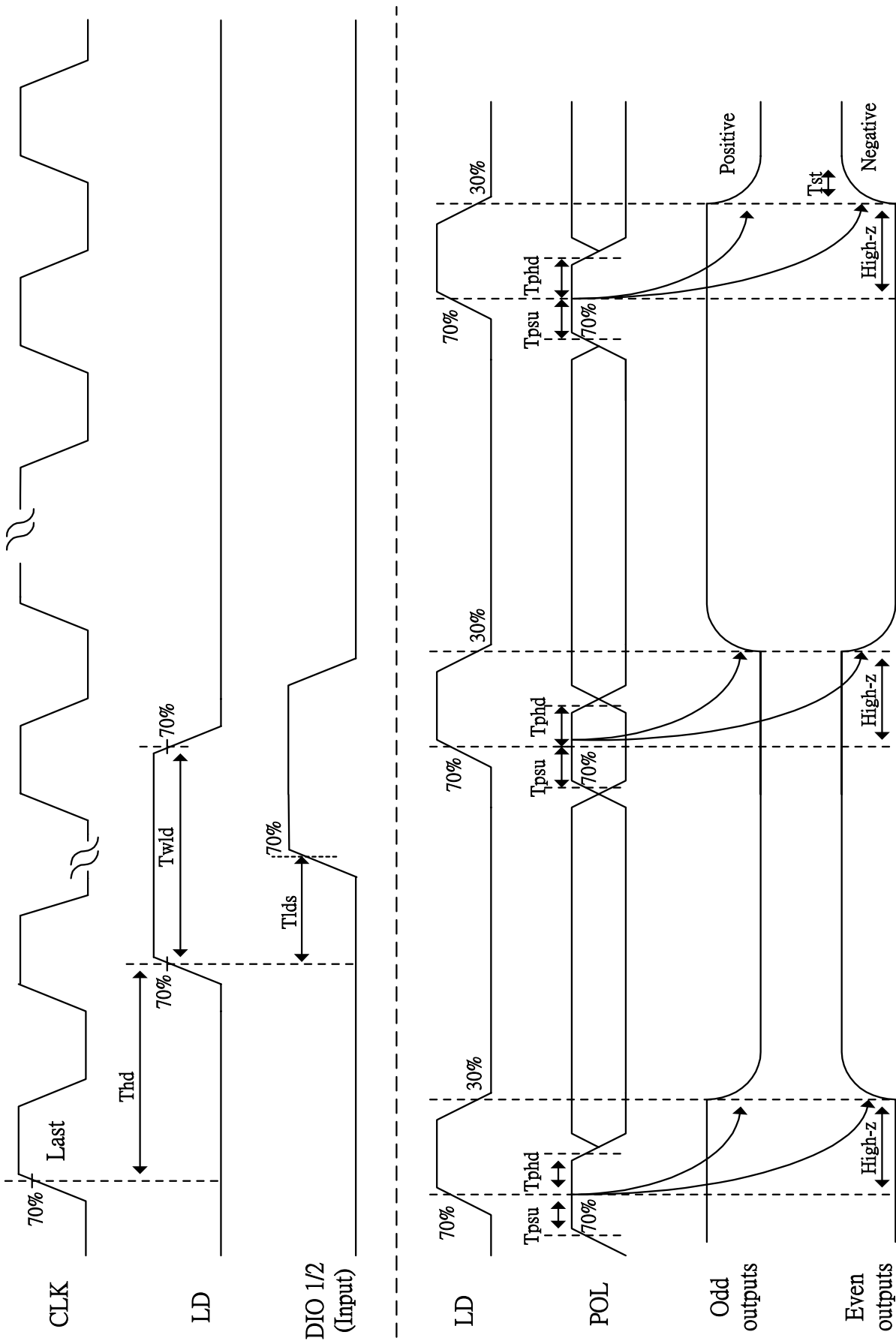


Fig. 11-2 Horizontal timing(2)

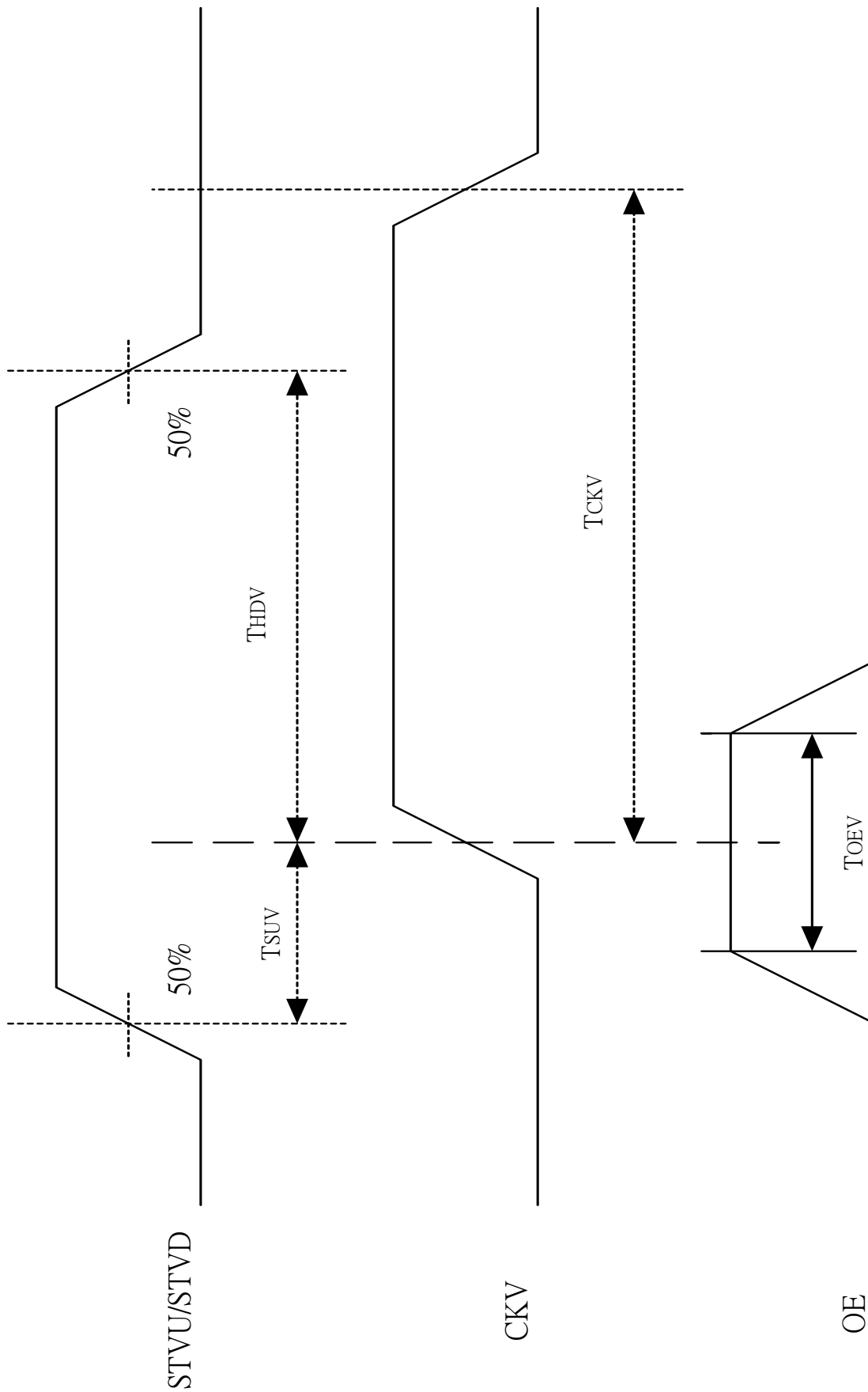


Fig. 11-3 Vertical shift clock timing

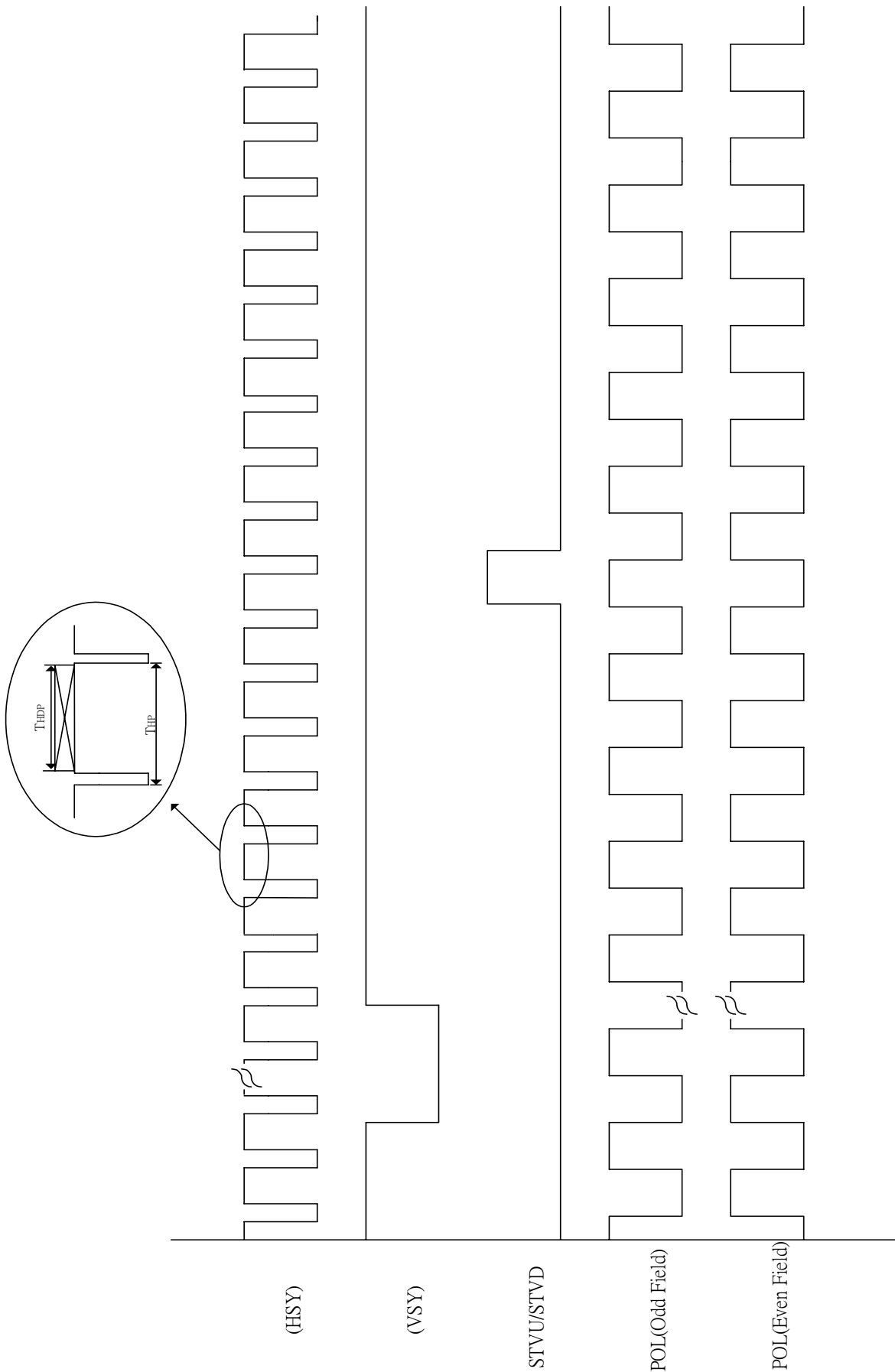
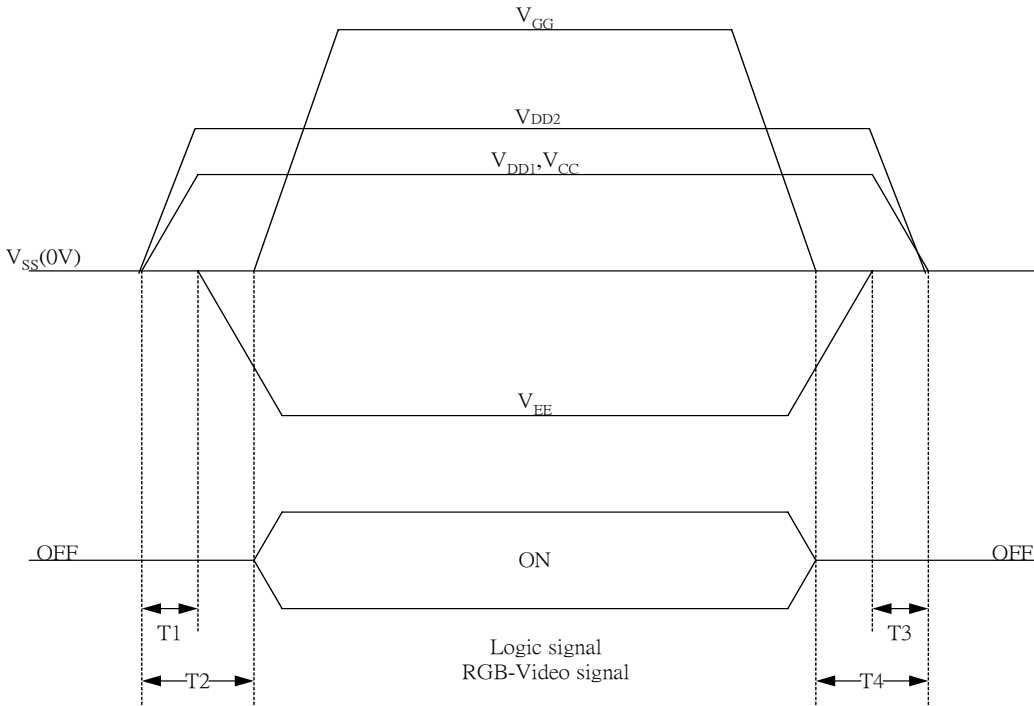


Fig. 11-4 Vertical timing

12. Power On Sequence



1. $10\text{ms} \leq T1 < T2$
2. $0\text{ms} < T3 \leq T4 \leq 10\text{ms}$

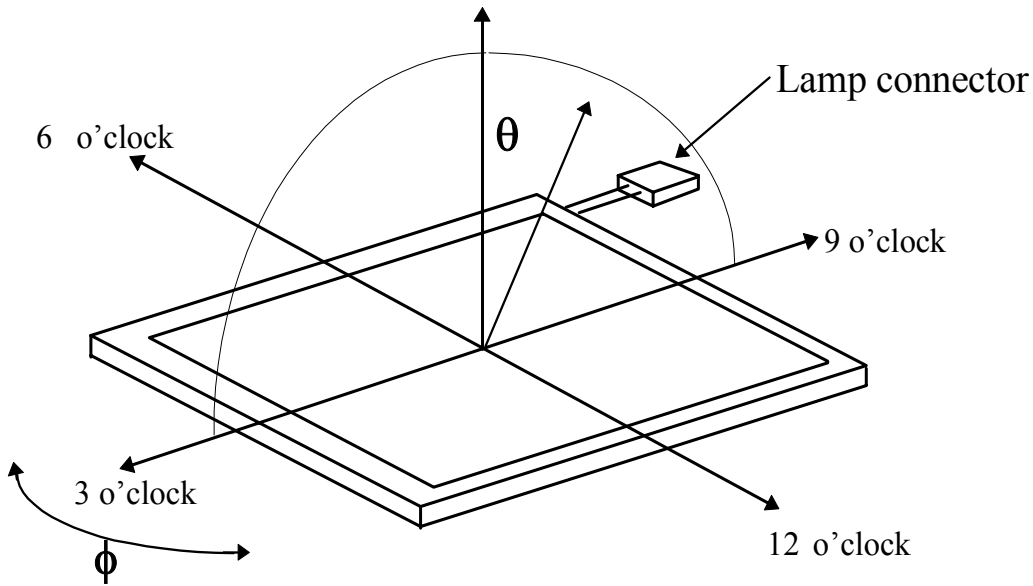
13. Optical Characteristics

13-1) Specification:

Ta=25°C

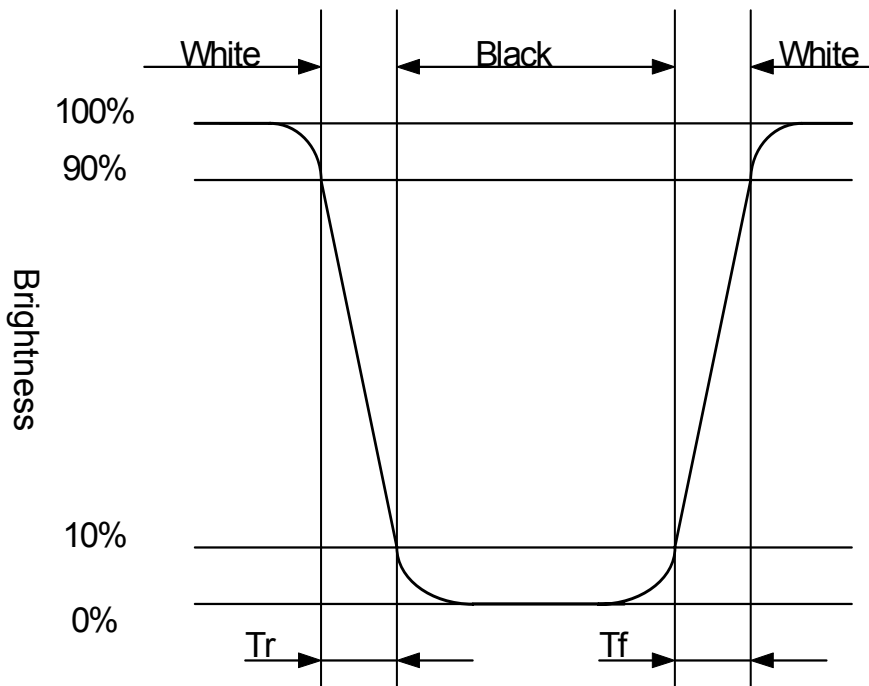
Parameter		Symbol	Condition	MIN.	TYP.	MAX.	Unit	Remarks
Viewing Angle	Horizontal	θ	CR > 10	±55	±60	-	deg	Note 13-1
	Vertical	θ (to 12 o'clock)		50	55	-	deg	
		θ (to 6 o'clock)		35	40	-	deg	
Contrast Ratio		CR	At optimized viewing angle	200	400	-	-	Note 13-2
Response time	Rise	Tr	$\theta = 0^\circ$	-	15	30	ms	Note 13-3
	Fall	Tf		-	25	50	ms	
Brightness			$\theta = 0^\circ / \varphi = 0$	350	400	-	cd/m ²	Note 13-4
Luminance Uniformity		U		75	80	-	%	Note 13-5
White Chromaticity		x		0.28	0.31	0.34	-	
		y		0.31	0.34	0.37	-	
Cross Talk			$\theta = 0^\circ$	-	-	3.5	%	Note 13-6

Note 13-1: The definitions of viewing angles are as follow

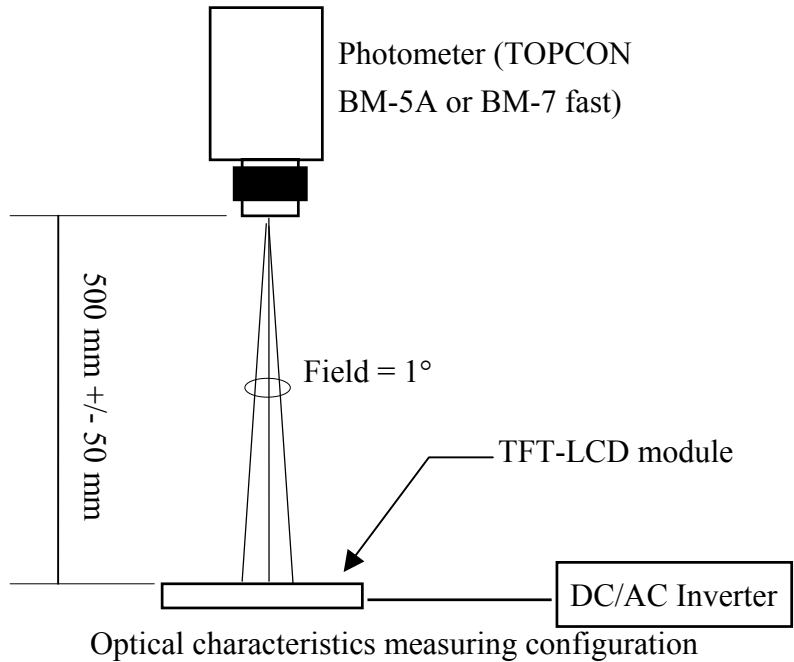


Note 13-2: The definition of contrast ratio $CR = \frac{\text{Luminance at gray level 63}}{\text{Luminance at gray level 0}}$

Note 13-3: Definition of Response Time T_r and T_f :



Note 13-4: All optical measurements shall be performed after backlight being turned-on for 30 mins. The optical characteristics shall be measured in dark room (ambient illumination on panel surface less than 1 Lux). The measuring configuration shows as following figure.



Note 13-5: The uniformity of LCD is defined as

$$U = \frac{\text{The Minimum Brightness of the 9 testing Points}}{\text{The Maximum Brightness of the 9 testing Points}}$$

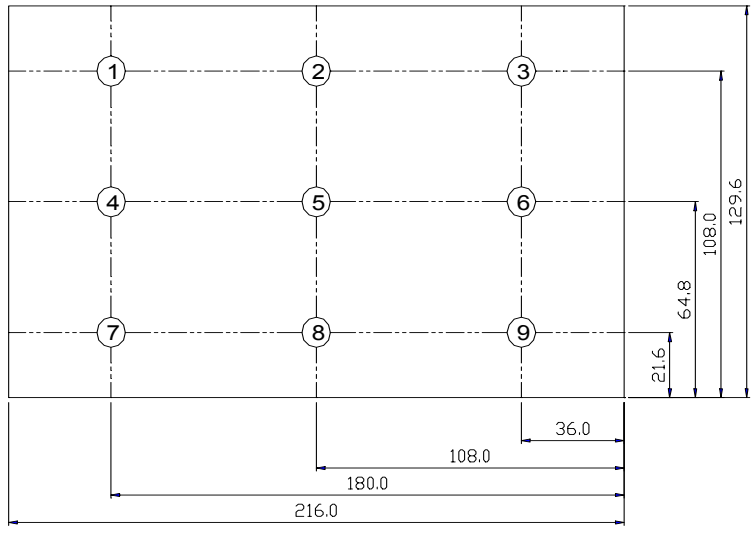
Luminance meter: BM-5A or BM-7 fast (TOPCON)

Measurement distance: 500 mm +/- 50 mm

Ambient illumination: < 1 Lux

Measuring direction: Perpendicular to the surface of module

The test pattern is white (Gray Level 63).



Note 13-6: Cross Talk (CTK) = $\frac{|YA-YB|}{YA} \times 100\%$

YA: Brightness of Pattern A

YB: Brightness of Pattern B

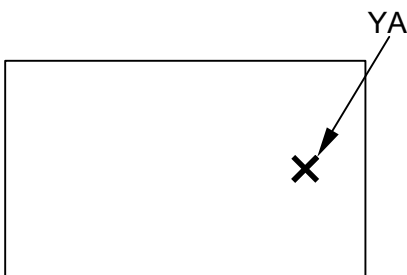
Luminance meter: BM-5A or BM-7 fast (TOPCON)

Measurement distance: 500 mm +/- 50 mm

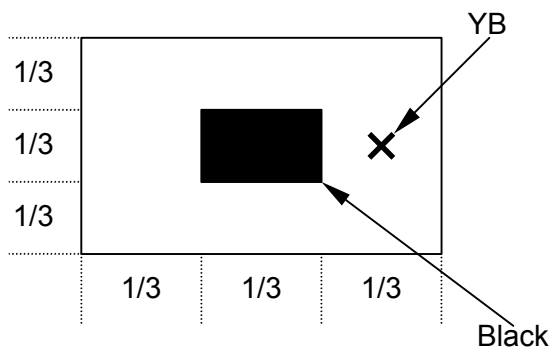
Ambient illumination: < 1 Lux

Measuring direction: Perpendicular to the surface of module

Pattern A
(Gray Level 31)



Pattern B
(Gray Level 31, except the black box in the center)



X: Measuring Point (A and B are at the same point.)

Black (Gray Level 0)

Note 13-7: Topcon BM-5A or BM-7 fast luminance meter 1° field of view is used in the testing (after 30 minutes' B/L power-on). The typical luminance value is measured at lamp current 6 mA.

14. Handling Cautions**14-1) Mounting of module**

- a) Please power off the module when you connect the input/output connector.
- b) Please connect the ground pattern of the inverter circuit surely. If the connection is not perfect, some following problems may happen possibly.
 - 1. The noise from the backlight unit will increase.
 - 2. The output from inverter circuit will be unstable.
 - 3. In some cases a part of module will heat.
- c) Polarizer which is made of soft material and susceptible to flaw must be handled carefully.
- d) Protective film (Laminator) is applied on surface to protect it against scratches and dirt. It is recommended to peel off the laminator before use and taking care of static electricity.

14-2) Precautions in mounting

- a) When metal part of the TFT-LCD module (shielding lid and rear case) is soiled, wipe it with soft dry cloth.
- b) Wipe off water drops or finger grease immediately. Long contact with water may cause discoloration or spots.
- c) TFT-LCD module uses glass which breaks or cracks easily if dropped or bumped on hard surface. Please handle with care.
- d) Since CMOS LSI is used in the module. So take care of static electricity and earth yourself when handling.

14-3) Adjusting module

- a) Adjusting volumes on the rear face of the module have been set optimally before shipment.
- b) Therefore, do not change any adjusted values. If adjusted values are changed, the specifications described may not be satisfied.

14-4) Others

- a) Do not expose the module to direct sunlight or intensive ultraviolet rays for many hours.
- b) Store the module at a room temperature place.
- c) The voltage of beginning electric discharge may over the normal voltage because of leakage current from approach conductor by to draw lump read lead line around.
- d) If LCD panel breaks, it is possibly that the liquid crystal escapes from the panel. Avoid putting it into eyes or mouth. When liquid crystal sticks on hands, clothes or feet. Wash it out immediately with soap.
- e) Observe all other precautionary requirements in handling general electronic components.
- f) Please adjust the voltage of common electrode as material of attachment by 1 module.

14-5) Polarizer mark

The polarizer mark is to describe the direction of wide view angle film how to match up with the rubbing direction.

15. Reliability Test

No	Test Item	Test Condition	Remark
1	High Temperature Storage Test	Ta = +80°C, 240 hrs	
2	Low Temperature Storage Test	Ta = -30°C, 240 hrs	
3	High Temperature Operation Test	Ta = +80°C, 240 hrs	
4	Low Temperature Operation Test	Ta = -20°C, 240 hrs	
5	High Temperature & High Humidity Operation Test	Ta = +60°C, 90%RH, 240 hrs (No Condensation)	
6	Thermal Cycling Test (non-operating)	0°C → +60°C, 50 Cycles 1Hr 1Hr	
7	Vibration Test (non-operating)	Frequency : 10 ~ 57 Hz, Amplitude : 0.5 mm 58~500Hz, 1G Sweep time: 11 min Test Period: 3 hrs (1 hr for each direction of X, Y, Z)	
8	Shock Test (non-operating)	80G, 6ms, X, Y, Z 1 times for each direction	
9	Electrostatic Discharge Test (non-operating)	200pF, 0Ω ±200V 1 time / each terminal	

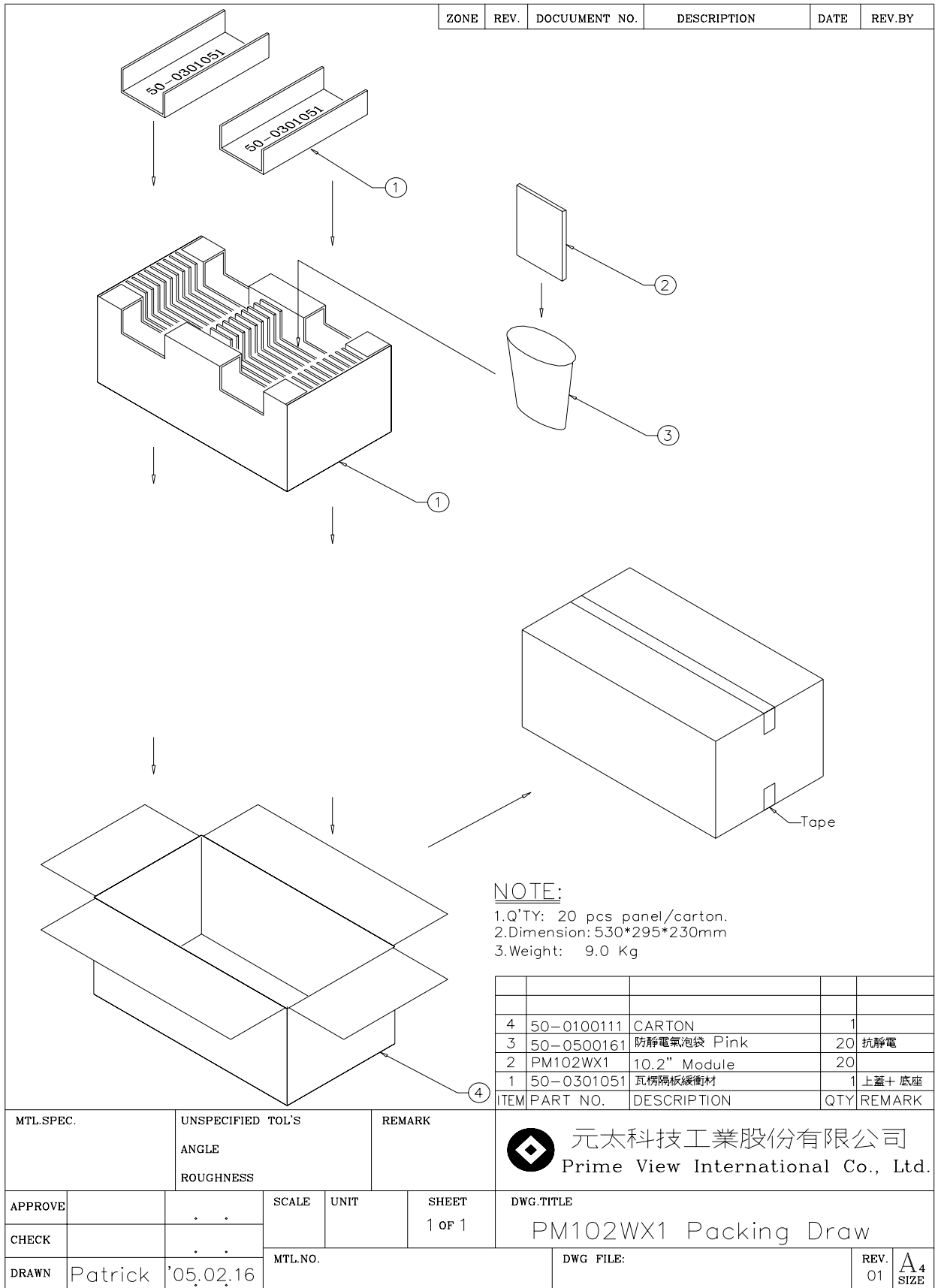
Ta: ambient temperature

Note: The protective film must be removed before temperature test

[Judgement Criteria]

Under the display quality test conditions with normal operation state, there should be no change which may affect practical display function.

16. Packing Diagram



Revision History

Rev.	Issued Date	Revised Contents
0.1	Jul. 21,2004	New
0.2	Aug. 13, 2004	Page 16: Modify Interface Timing
0.3	Dec.28,2004	Updata Page12: 7-2) Recommended Driving Condition for Back Light Page 13:7-3) Power Consumption Page 22:13-1) Specification
0.4	Jun.31,2005	Page4: 4.Mechanical Drawing of TFT-LCD Module (Change ground line form 45mm increase length to 100mm)
0.5	Fab.16,2005	Updata Page 21: 13. Optical Characteristics Luminance Uniformity Page 27: 16. Packing Diagram