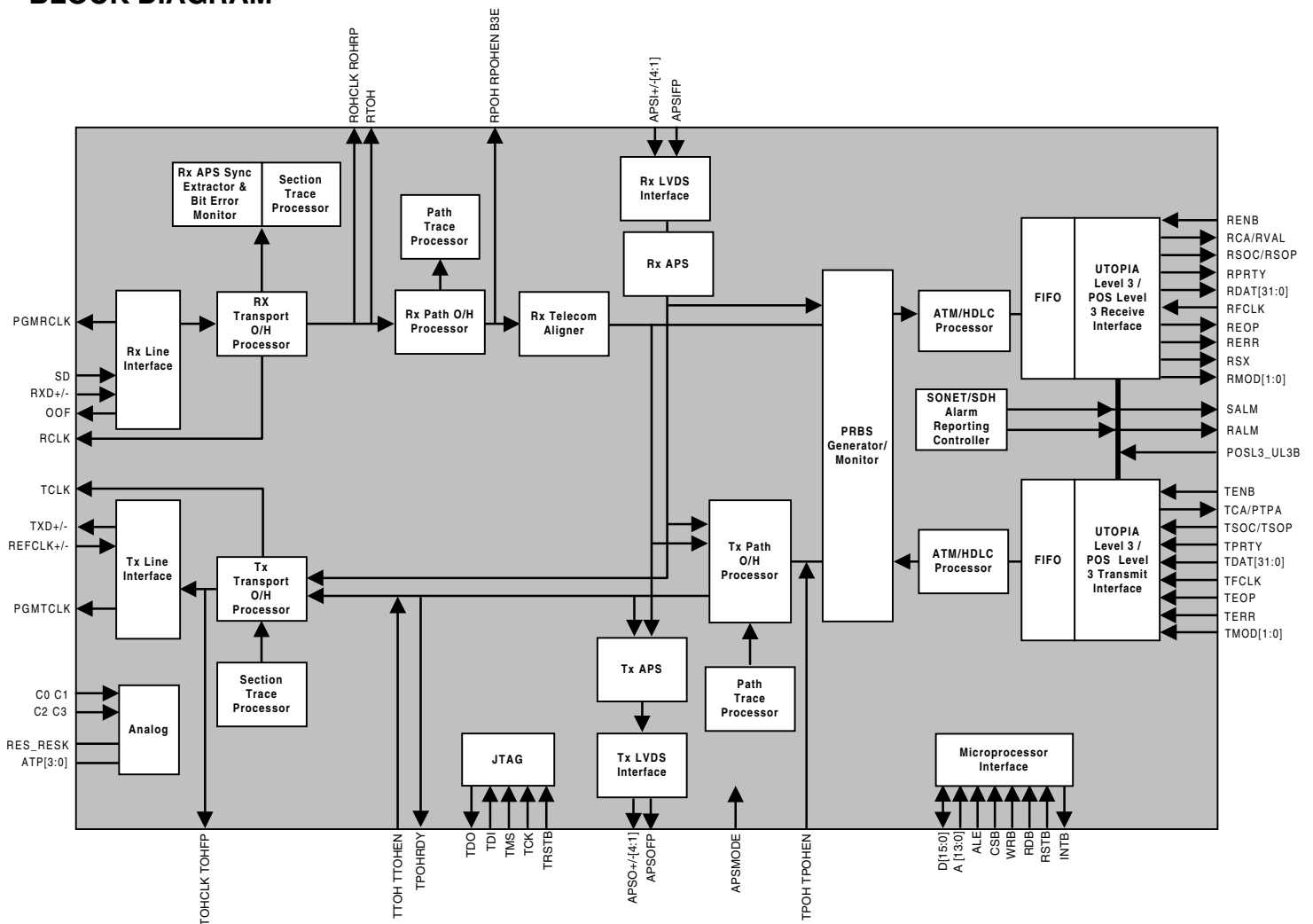


SATURN® User Network Interface for 2488 Mbit/s

FEATURES

- Single chip ATM and POS User-Network Interface operating at 2488.32 Mbit/s.
- Implements the ATM Forum User Network Interface Specification and the ATM physical layer for Broadband ISDN according to CCITT Recommendation I.432.
- Implements the Point-to-Point Protocol (PPP) over SONET/SDH specification according to RFC 2615(1619)/1662 of the PPP Working Group of the Internet Engineering Task Force (IETF).
- Processes bit-serial 2488.32 Mbit/s STS-48 (STM-16-16c) data streams with on-chip clock and data recovery and clock synthesis.
- Complies with Bellcore GR-253-CORE jitter tolerance, jitter transfer and intrinsic jitter criteria.
- Provides termination for SONET Section, Line and Path overhead or SDH Regenerator Section, Multiplexer Section and High Order Path overhead.
- Provides UTOPIA Level 3 32-bit wide System Interface (clocked up to 104 MHz) with parity support for ATM applications.
- Provides SATURN POS-PHY Level 3™ 32-bit System Interface (clocked up to 104 MHz) for Packet over SONET (POS), or ATM applications.
- Supports line loopback from the line side receive stream to the transmit stream and diagnostic loopback from the line side transmit stream to the line side receive stream interface.
- Provides support for automatic protection switching including a bi-directional 4-bit LVDS 777.76 MHz port.
- Provides a standard five signal IEEE 1149.1 JTAG test port for boundary scan board test purposes.
- Provides a generic 16-bit microprocessor bus interface for configuration, control, and status monitoring.

BLOCK DIAGRAM



SATURN® User Network Interface for 2488 Mbit/s

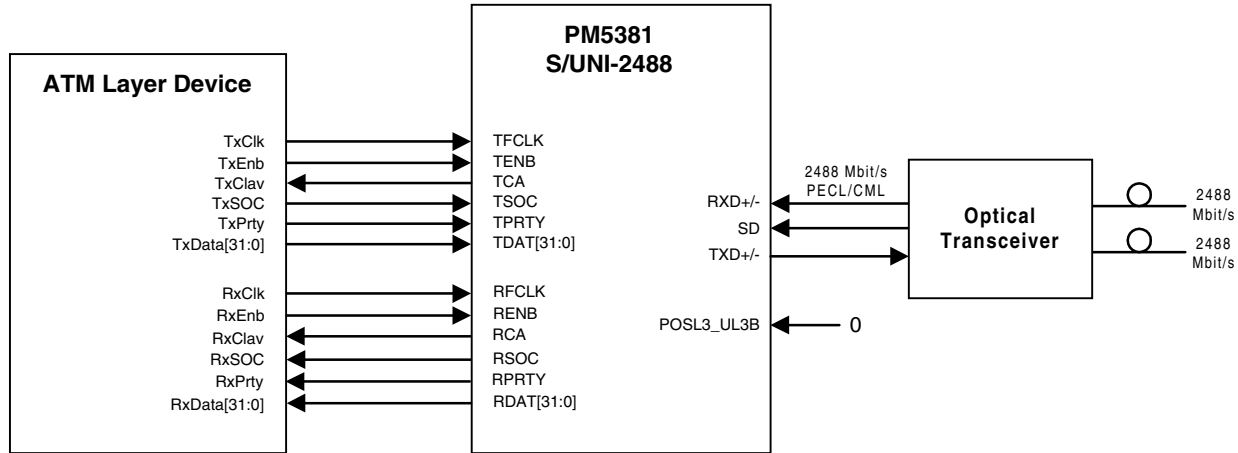
- Low power 1.8 V CMOS core logic with 3.3 V CMOS/TTL compatible digital inputs and digital outputs. High speed inputs and outputs are 3.3 V PECL/CML compatible.
- Industrial temperature range (-40° C to +85° C).
- 416 pin UBGA package.

APPLICATIONS

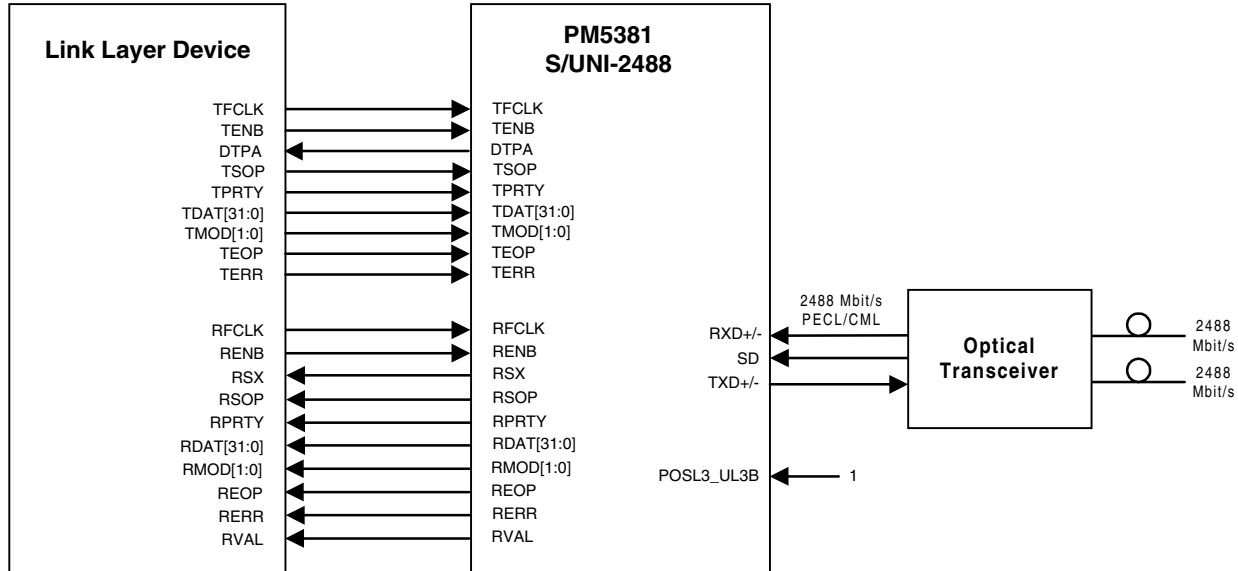
- ATM and Multiservice Switches, Routers, and Switch/Routers.
- SONET/SDH Add/Drop Multiplexers with data processing capabilities
- Uplink Cards.
- SONET/SDH ATM/POS Test Equipment.

TYPICAL APPLICATION

STS-48 (STM-16-16C) ATM (UTOPIA LEVEL 3) SWITCH PORT APPLICATION



STS-48 (STM-16-16C) PACKET OVER SONET (POS-PHY LEVEL 3) ROUTER APPLICATION



Head Office:
 PMC-Sierra, Inc.
 #105 - 8555 Baxter Place
 Burnaby, B.C. V5A 4V7
 Canada
 Tel: 604.415.6000
 Fax: 604.415.6200

To order documentation,
 send email to:
 document@pmc-sierra.com
 or contact the head office,
 Attn: Document Coordinator

All product documentation is available
 on our web site at:
<http://www.pmc-sierra.com>
 For corporate information,
 send email to:
 info@pmc-sierra.com

PMC-2000453 (p2)
 © Copyright PMC-Sierra,
 Inc. 2000. All rights reserved.
 March 2000
 SATURN and S/UNI are
 registered trademarks of
 PMC-Sierra, Inc. POS-PHY
 Level 3 is a trademark of
 PMC-Sierra, Inc.