

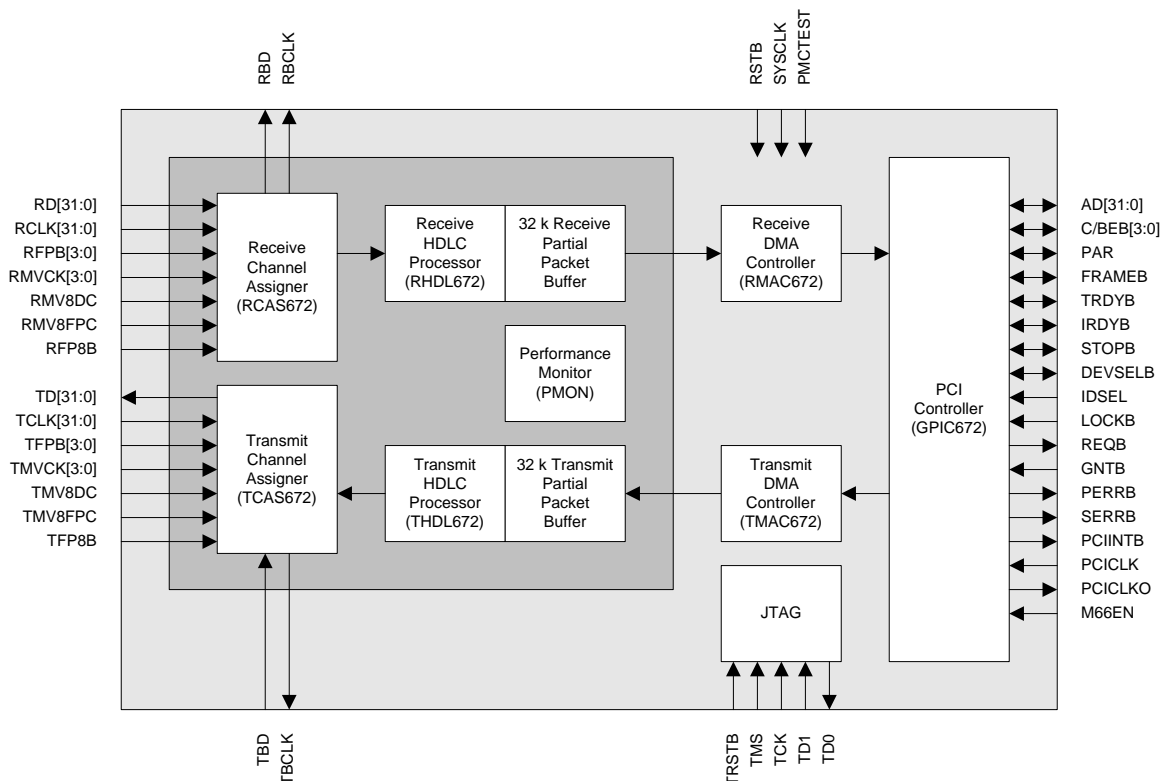
**Frame Engine and Data Link Manager**

**FEATURES**

The FREEDM-32P672 chip offers the following features:

- Single-chip multi-channel HDLC controller with a 66 MHz, 32-bit Peripheral Component Interconnect (PCI) 2.1 compatible bus for configuration, monitoring, and transfer of packet data.
- An on-chip DMA controller with scatter/ gather capabilities.
- Supports up to 672 bi-directional HDLC channels assigned to a maximum of 32 MVIP digital telephony buses (at 2.048 Mbit/s per link) or 8 H-MVIP buses (at 8.192 Mbit/s per link).
- Supports up to 672 bi-directional HDLC channels assigned to a maximum of 32 channelized T1/J1 or E1 links.
- The number of time-slots assigned to an HDLC channel is programmable from 1 to 24 (for T1/J1) and from 1 to 31 (for E1).
- Supports up to 32 bi-directional HDLC channels, each assigned to an unchannelized arbitrary-rate link, subject to a maximum aggregate link clock-rate of 64 MHz in each direction.
- Channels assigned to links 0 to 2 support a clock rate of up to 52 MHz. Channels assigned to links 3 to 31 support a clock rate of up to 10 MHz.
- In the special case, where no more than three high-speed links are used, the maximum aggregate link clock-rate is 156 MHz.
- Links configured for channelized T1/J1/E1 or unchannelized operation support the gapped-clock method for determining time-slots, which is backwards compatible with the FREEDM-8 and FREEDM-32 devices.
- For each channel, the HDLC receiver supports programmable flag-sequence detection, bit de-stuffing, and frame-check sequence validation.
- The receiver supports the validation of both CRC-CCITT and CRC-32 frame-check sequences.
- For each channel, the HDLC transmitter supports programmable flag-sequence generation, bit stuffing and frame-check sequence generation.
- The transmitter supports the generation of both CRC-CCITT and CRC-32 frame-check sequences.
- The transmitter also aborts packets under the direction of the host, or automatically when the channel underflows.
- Provides 32 kbytes of on-chip memory for partial-packet buffering in both the transmit and receive directions.

**BLOCK DIAGRAM**



# Frame Engine and Data Link Manager

- You can configure the on-chip memory to support different channel configurations: from a single channel with 32 kbytes of buffering, to 672 channels, each with a minimum of 48 bytes of buffering.
- Provides a standard five-signal P1149.1 JTAG test-port for boundary-scan board-test purposes.
- Supports 5 Volt tolerant I/Os for non-PCI signals. Supports 3.3 Volt PCI signaling environment.
- 329-pin plastic ball grid array (PBGA) package.

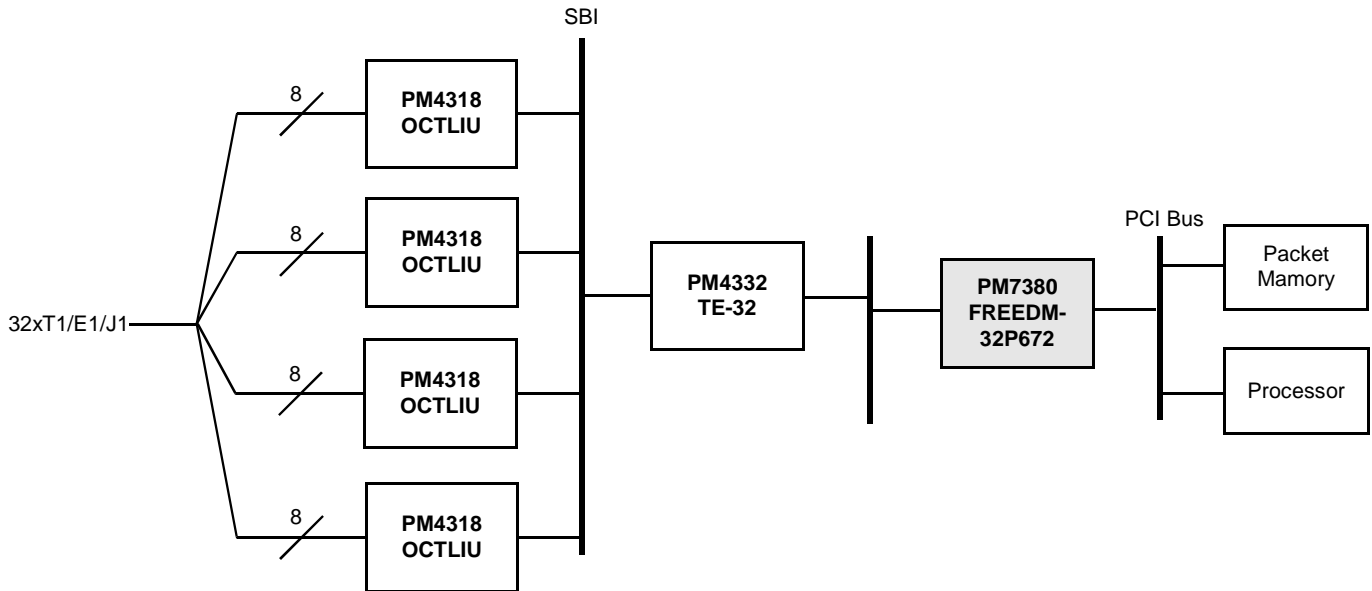
## APPLICATIONS

Use the FREEDM-32P672 chip in the following applications:

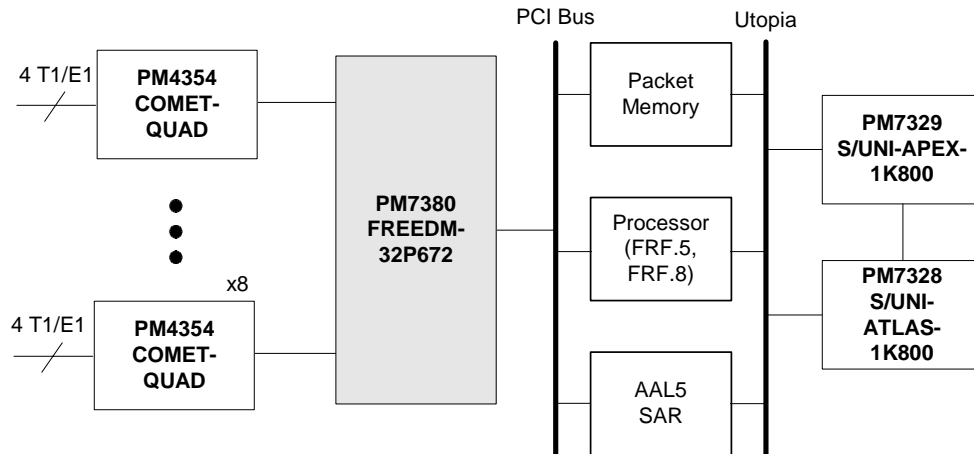
- Remote Access Concentrators.
- Frame Relay/Multiservice Switches.
- Multiservice Access Concentrators.
- Internet/Edge Routers.

## TYPICAL APPLICATIONS

### HIGH DENSITY T1/E1 LINE CARD



### FRAME RELAY TO ATM INTERWORKING



Head Office:  
 PMC-Sierra, Inc.  
 8555 Baxter Place  
 Burnaby, B.C. V5A 4V7  
 Canada  
 Tel: 604.415.6000  
 Fax: 604.415.6200

To order documentation,  
 send email to:  
 document@pmc-sierra.com  
 or contact the head office,  
 Attn: Document Coordinator

All product documentation is available  
 on our web site at:  
<http://www.pmc-sierra.com>  
 For corporate information,  
 send email to:  
 info@pmc-sierra.com

PMC-1980245 (r2)  
 © 2001 PMC-Sierra, Inc. Aug.2001.  
 S/UNI is a registered trademark and  
 FREEDM-32P672, FREEDM-8,  
 FREEDM-32, OCTLIU, TE-32,  
 COMET-QUAD, SBI, and PMC-Sierra  
 are trademarks of PMC-Sierra, Inc.