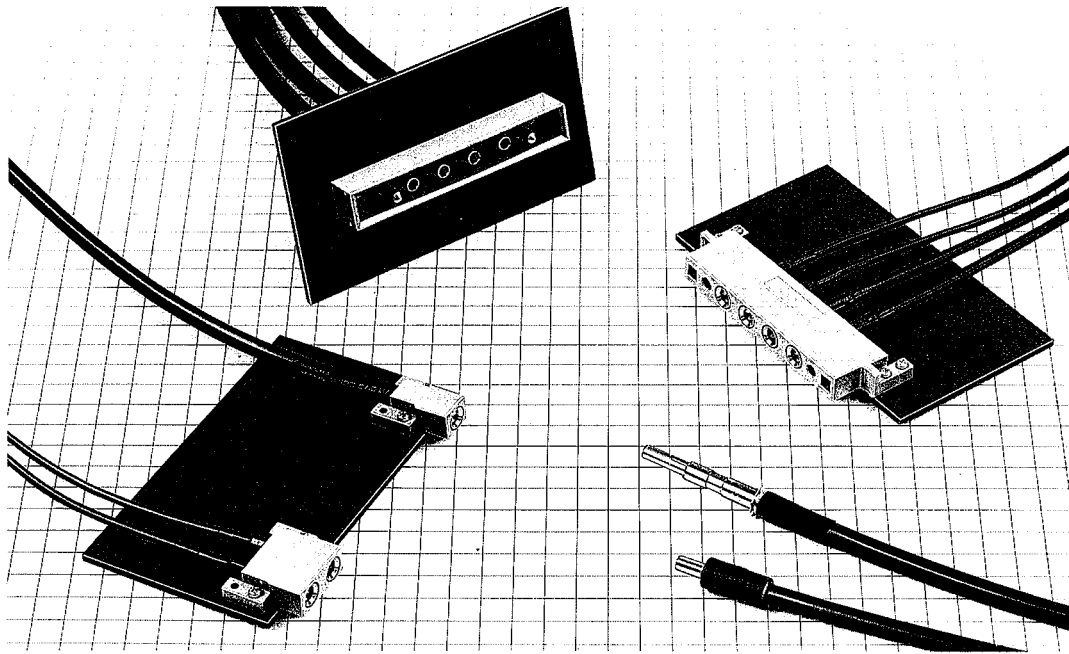


# P073 SERIES RF CO-AXIAL CONNECTORS

## Coaxial connectors for use with HRPI series and PCN11MF series P073 series

### Outline

P073 Series connectors are plug-in type high frequency coaxial connectors with a nominal impedance of  $75 \Omega$  which are optimum for packaging of terminal units of microwave digital system communication networks such as for public telecommunication circuits. (NTT Specification in accordance with Spec. 5488, edition 2.) Some of the parts  $50 \Omega$  are available as Hirose original connectors.



### Characteristic features

- (1) P073 Series connectors are used as composite connectors in combination with the HRP1 Series and the PCN11MF Series, and are suitable for high density packaging.  
(Coaxial connectors and optical connectors can be used in the same connector housing.)
- (2) Excellent connecting characteristics and mechanical durability are realized by applying the floating function to coaxial and optical connectors and connector housing.
- (3) Coaxial connectors (plug) incorporated in the connector housing can be detached in one-core unit where the connector housing is coupled. This detachment can be made without tools by sliding the snap-out ring attached to the coaxial connectors.

### Applications

Communication equipment, transmission and exchange units.

# PO73 SERIES RF CO-AXIAL CONNECTORS

## Performance

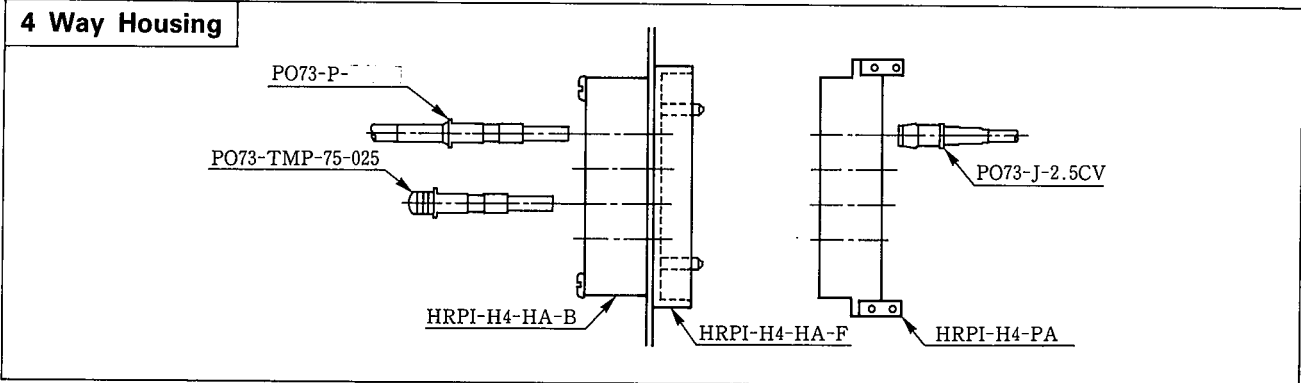
Item	Standard value	
	PO73 series	PO73D series
Contact resistance	20mΩ or less	
Insulation resistance	1000MΩ or more at 500 VDC	
Withstand voltage	1000VAC(rms) for 1 min	
Characteristic impedance	75Ω	50Ω
Mismatching attenuation	40dB or more at 70±10MHz	—
VSWR	1.2 or less at up to 1,000MHz	1.2 or less at up to 1,500MHz

## Material/Finish

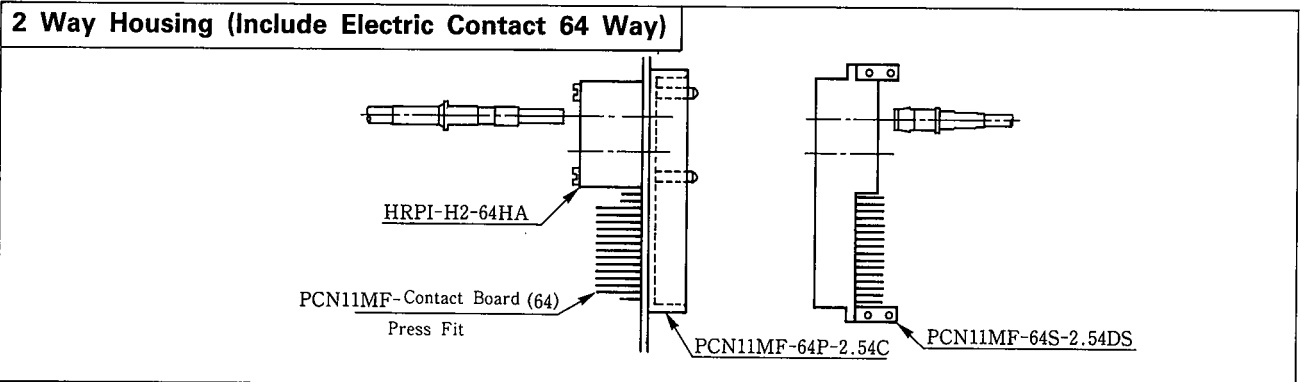
Part	Brass	Finish
P shell, A shell	Brass	Gold-plated
J shell	Brass	Gold-plated cable connection
Insulation	PTFE resin	
Male terminal	Phosphor	Gold-plated
Female terminal	Beryllium copper	Gold-plated
Shap-out ring	Brass	Nickel-plated
Crimp sleeve	Copper	Nickel-plated
Housing	PBT resin	
Heat shrinkable tube	Polyolefin	

## Function

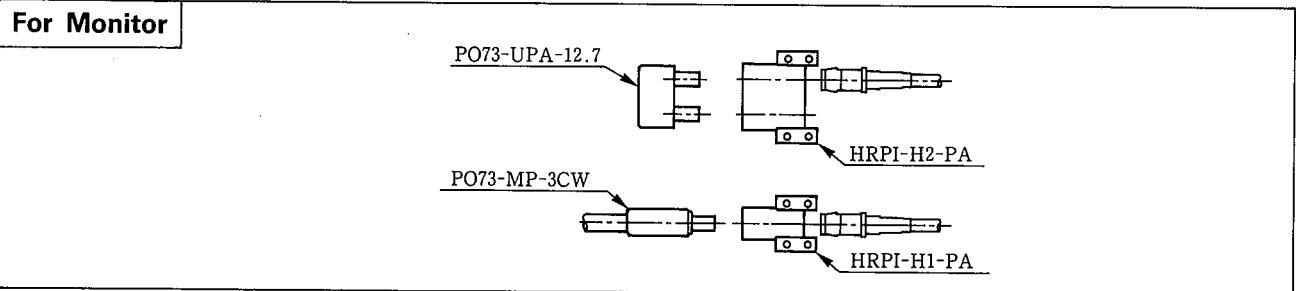
### 4 Way Housing



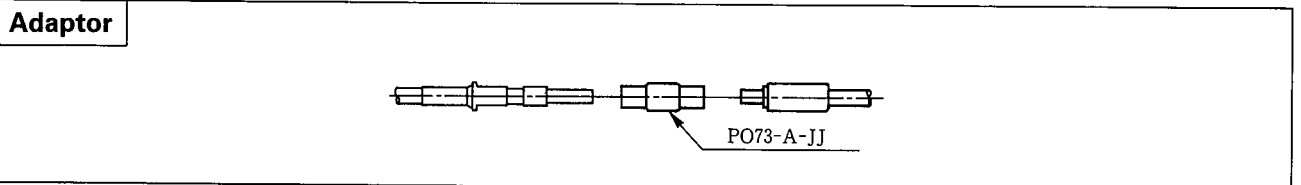
### 2 Way Housing (Include Electric Contact 64 Way)



### For Monitor

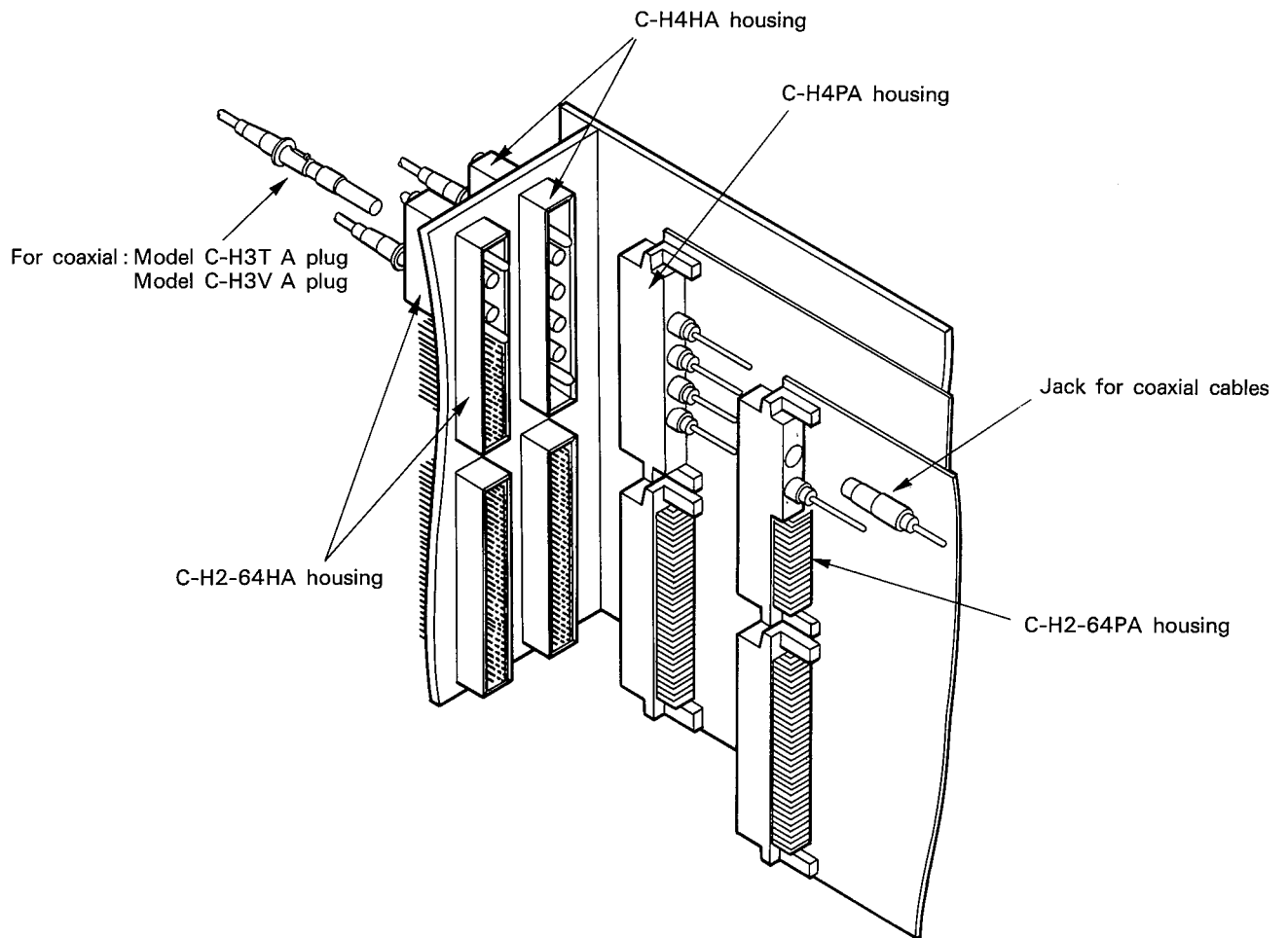


### Adaptor



# P073 SERIES RF CO-AXIAL CONNECTORS

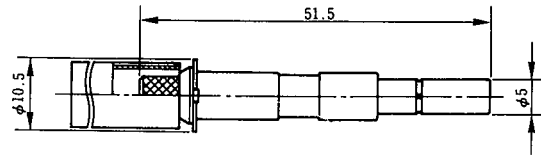
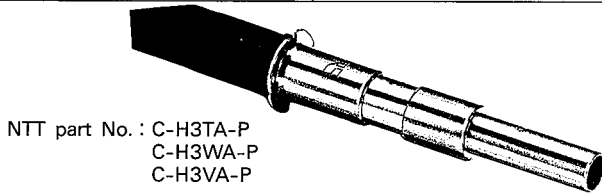
## View of Mounted Connector



# PO73 SERIES RF CO-AXIAL CONNECTORS

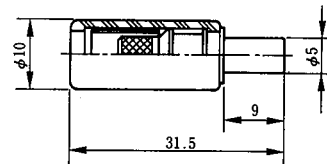
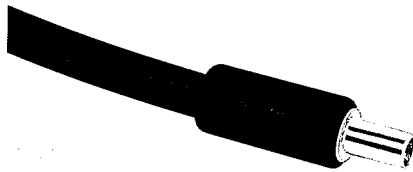
## ▲ Plug

HRS No.	Product No.	Applicable cable	Characteristic impedance	Dimension A (mm)
CL312-0110-3	PO73-P-3CT	3C-2T	75 Ω	51.5
CL312-0111-6	PO73-P-3CW	3C-2W		51.5
CL312-0130-0	PO73-P-3CV	3C-2V		51.5
CL312-0113-1	PO73-P-2.5CV	2.5C-2V		54.7
CL312-0131-3	PO73D-P-2.5DW	2.5D-2W	50 Ω	56.0



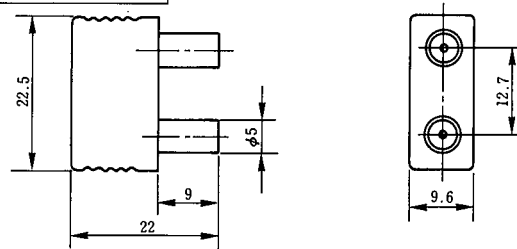
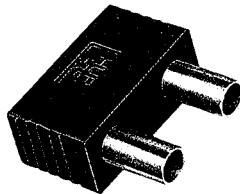
## ▲ Monitor Plug

HRS No.	Product No.	Applicable cable	Characteristic impedance
CL312-0112-9	PO73-MP-3CW	3C-2W	75 Ω



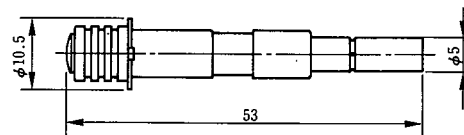
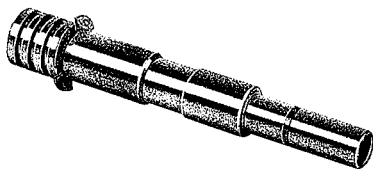
## ▲ U Link Plug

HRS No.	Product No.	Characteristic impedance
CL312-0114-4	PO73-UPA-12.7	75 Ω



## ▲ Termination

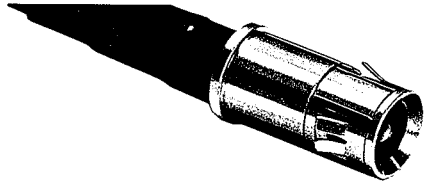
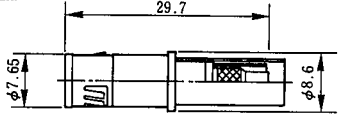
HRS No.	Product No.	Characteristic impedance
CL312-0118-5	PO73-TMP-75-025	75 Ω



# PO73 SERIES RF CO-AXIAL CONNECTORS

## ▲ Jack

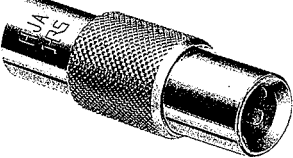
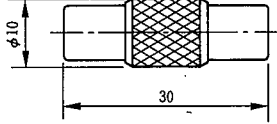
HRS No.	Product No.	Applicable cable	Characteristic impedance
CL312-0126-3	PO73-J-2.5CV	2.5C-2V	75 Ω
CL312-0115-7	PO73-J-1.5CV	1.5C-2V	
CL312-0136-7	PO73D-J-1.5DW	1.5D-2W	50 Ω
CL312-0137-0	PO73D-J-2.5DW	2.5D-2W	
CL312-0146-0	PO73D-J-0.8DW	0.8D-2W	

※ The housings for Jack that are slightly different in form from maker to maker are available. Please use HIROSE products to avoid the quality trouble.

## ▲ Adapter

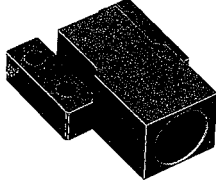
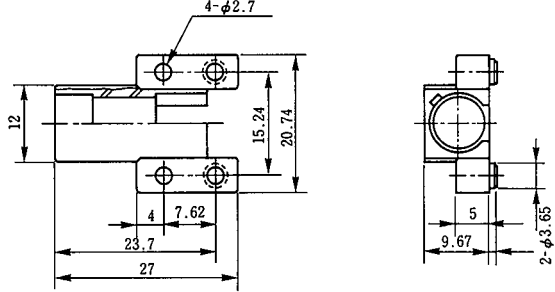
HRS No.	Product No.	Characteristic impedance
CL312-0119-8	PO73-A-JJ	75 Ω

NTT Part No. : C-H3C-JA

## ▲ Connector Housing for Monitor

HRS No.	Product No.
CL312-0117-2	HRPI-H1-PA

HRS No.	Product No.
CL312-0116-0	HRPI-H2-PA

