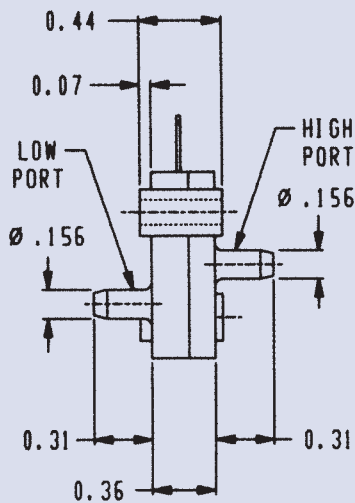
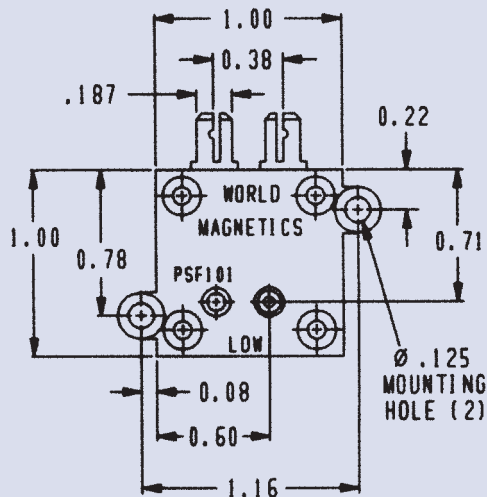


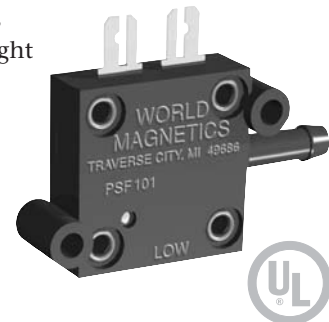
WORLD MAGNETICS ULTRA SENSITIVE PRESSURE SWITCHES

PSF101 Series for sensing pressure, vacuum & differential pressure



FEATURES

- Gold inlay contacts
- Small size, lightweight
- Fast response
- Variety of options for ports and mountings



SPECIFICATIONS

MECHANICAL	
Standard Tolerance	±20% Tighter tolerances available
Switch Type	SPST normally open, normally closed consult factory
Switching Medium	Air; compatible fluids on "High" side
Mechanical Life	More than 20 million cycles
Proof Pressure	8 PSI for units where set point is 3.0" H ₂ O or less 15 PSI for units where set point is greater than 3.0" H ₂ O
Weight	Less than 10 grams
Operating Temp.	+40°F to +150°F (standard) -46°F to +205°F (consult factory)
PHYSICAL	
Mounting	Use #4 screws thru mounting lugs or #2 screws thru eyelets
Case Material	Polycarbonate standard (other materials available upon request)
Contact Material	18K Gold inlay
Diaphragm Material	Polyurethane standard (Teflon® optional)
Electrical Connections	Terminals - .187" x .020" tab-type (bifurcated), for use with quick disconnects (ref. AMP 2-520182-2 or equivalent) .020" x .060" PCB terminals available upon request
Pressure Ports	Refer to DesignFLEX™ chart for standard options
ELECTRICAL	
Current Rating	40mA resistive for life in excess of 20 million cycles
Operating Voltage	AC/DC - 30V or less with resistive load; 120 VAC neon lamp load

NOTE: For higher current capabilities, refer to our PSF103 or PSF109 DesignFLEX™ series.



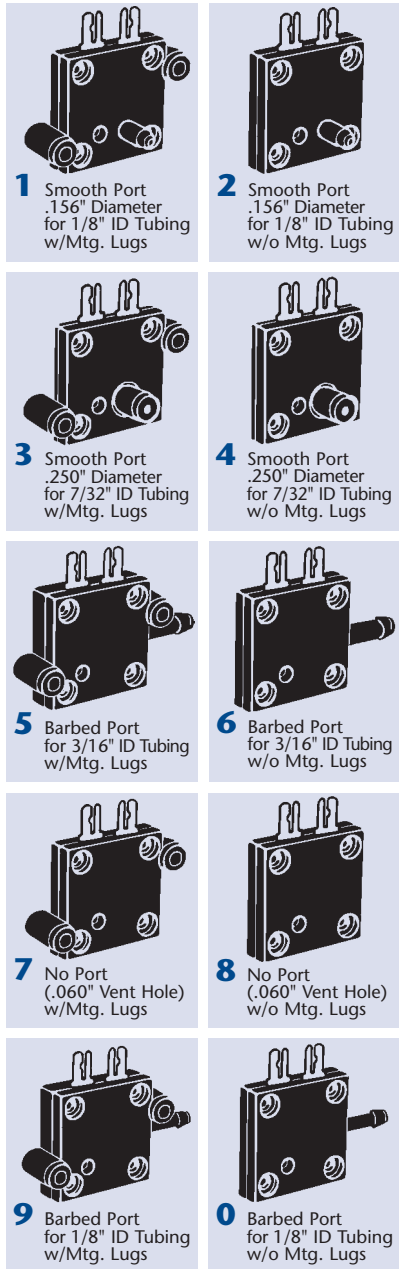
Vertrieb: HJK Sensoren + Systeme GmbH & Co. KG
Engelschalkstr. 32 D - 86316 Friedberg
Tel. +49(0)821-26 99 00 FAX+49(0)821-26 990-11
mailto: info@hjk.de www.worldmagnetics.de

WORLD MAGNETICS ULTRA SENSITIVE PRESSURE SWITCHES

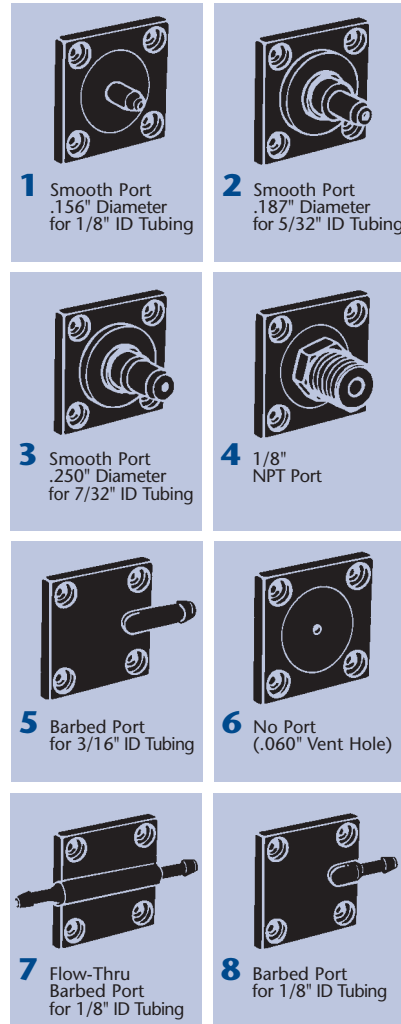
PSF101 Series *for sensing pressure, vacuum & differential pressure*

DESIGNFLEX™ OPTIONS With World Magnetics' exclusive DesignFLEX™ feature, you can choose from these available options to custom-design a pressure switch to suit your needs.

Low Port/Housing Options



High Port/Cover Options



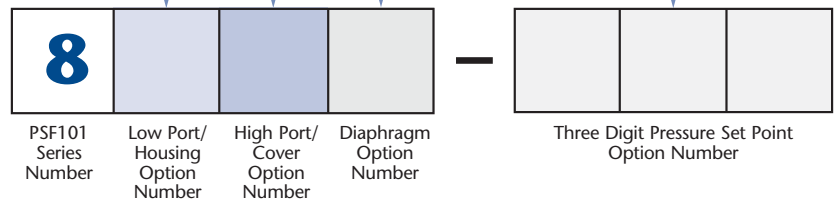
Pressure Set Point Options

For higher Pressure Set Point, consult factory.

Option No.	In. H ₂ O	mbar	PSI
005	.1 - .5	.25 - 1.25	.004 - .018
010	1.0	2.49	.036
015	1.5	3.73	.054
020	2.0	4.97	.072
030	3.0	7.46	.108
040	4.0	9.95	.144
060	6.0	14.92	.217
080	8.0	19.89	.289
100	10.0	24.86	.361
120	12.0	29.84	.433
150	15.0	37.30	.541
200	20.0	49.73	.722
300	30.0	74.59	1.083
400	40.0	99.46	1.444
500	50.0	124.32	1.804

Diaphragm Options

- 1** Polyurethane (standard)
- 2** Teflon (optional)



DESIGN GUIDE

Choose one option number from each of the above categories and arrange in the sequence shown here.

Example:

8111-020 = PSF101 Series ultra sensitive pressure switch with • Low Port/Housing, .156" Diameter, Smooth Port with Mounting Lugs • High Port/Cover, .156" Diameter, Smooth Port • Standard Polyurethane Diaphragm • Pressure Set Point is factory-set at 2" H₂O



Vertrieb: HJK Sensoren + Systeme GmbH & Co. KG
 Engelschalkstr. 32 D - 86316 Friedberg
 Tel. +49(0)821-26 99 00 FAX+49(0)821-26 990-11
 mailto: info@hjk.de www.worldmagnetics.de