

System Reset

Monolithic IC PST596~598 Series

Outline

These ICs function in a variety of CPU systems and other logic systems, to detect power supply voltage and reset the system accurately when power is turned on or interrupted, and has a built-in fixed delay time generating circuit. This series has been represented in the past by PST591~595, and these new system reset ICs offer ultra-small size and low current consumption.

Features

- | | |
|-----------------------------------------------------|-----------------------------|
| 1. Fixed delay time setting by counter timer | |
| 2. Low operating limit voltage | 0.65V typ. |
| 3. Hysteresis voltage provided in detection voltage | 50mV typ. |
| 4. Low current consumption | I _{CCH} =15μA typ. |
| 5. 3 delay time products available | |
| | PST596 50mS |
| | PST597 100mS |
| | PST598 200mS |
| 6. Each product has 10 detection voltage ranks. | C : 4.5V typ. H : 3.1V typ. |
| | D : 4.2V typ. I : 2.9V typ. |
| | E : 3.9V typ. J : 2.7V typ. |
| | F : 3.6V typ. K : 2.5V typ. |
| | G : 3.3V typ. L : 2.3V typ. |

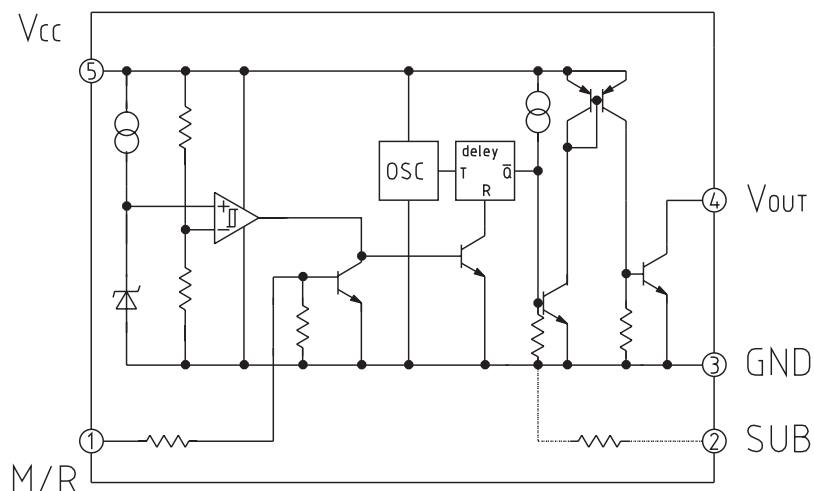
Package

SOT-25A (PST59×□N) (with manual reset pin)
 * □ contains detection voltage rank.

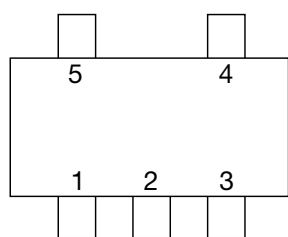
Applications

1. Reset circuits in microcomputers, CPUs and MPUs
2. Logic circuit reset circuits.
3. Battery voltage check circuits.
4. Back-up power supply switching circuits.
5. Level detection circuits.
6. Mechanical reset circuits

Equivalent Circuit Diagram



Pin Assignment



SOT-25

1	M/R
2	SUB
3	GND
4	V _{OUT}
5	V _{CC}

Pin Description

Pin No.	Pin name	Function
1	M/R	Manual reset pin *1
2	SUB	SUB pin *2
3	GND	GND pin
4	V _{OUT}	Reset signal output pin
5	V _{CC}	Power supply pin/Voltage detection pin

*1: Note that the oscilloscope may mis-operate if the M/R pin falls below -0.3V.

*2: Connect to GND.

Absolute Maximum Ratings (Ta=25°C)

Item	Symbol	Rating	Units
Storage temperature	T _{STG}	-40~+125	°C
Operating temperature	T _{OPR}	-20~+75	°C
Power supply voltage	V _{CC} max.	-0.3~+12	V
Manual reset input voltage	V _{RES} max.	-0.3~+12	V
Allowable loss	P _d	150	mW

Recommended Operating Conditions

Item	Symbol	Rating	Units
Operating temperature	T _{OPR}	-20~+75	°C
Power supply voltage	V _{CC}	-0.3~+12	V

Electrical Characteristics (Ta=25°C)

Item	Symbol	Measuring circuit	Measurement conditions	Min.	Typ.	Max.	Units	
Detection voltage	V _s	1	V _{CC} =H→L R _L =470Ω V _{OL} ≤ 0.4V	C	4.3	4.5	4.7	V
				D	4.0	4.2	4.4	
				E	3.7	3.9	4.1	
				F	3.4	3.6	3.8	
				G	3.1	3.3	3.5	
				H	2.9	3.1	3.3	
				I	2.75	2.90	3.05	
				J	2.55	2.70	2.85	
				K	2.35	2.50	2.65	
L	2.15	2.30	2.45					
Hysteresis voltage	ΔV _s	1	V _{CC} =L→H→L, R _L =470Ω	30	50	100	mV	
Detection voltage temperature coefficient	V _s /ΔT	1	R _L =470Ω, Ta=-20°C~+75°C		±0.01		%/°C	
Low-level output voltage	V _{OL}	1	V _{CC} =V _s min. -0.05V, R _L =470Ω		0.1	0.4	V	
Output leakage current	I _{OH}	1	V _{CC} =10V			±0.1	μA	
Circuit current while on	I _{CCL}	1	V _{CC} =V _s min. -0.05V, R _L =∞		300	500	μA	
Circuit current while off	I _{CCH}	1	V _{CC} =V _s typ./0.85V, R _L =∞		15	25	μA	
"H" transport delay time	T _{PLH}	2	R _L =4.7kΩ C _L =100pF *1	PST596	30	50	75	mS
				PST597	60	100	150	
				PST598	120	200	300	
"L" transport delay time	T _{PHL}	2	R _L =4.7kΩ, C _L =100pF, *2		20		μS	
Operating power supply voltage	V _{OPL}	1	R _L =4.7kΩ, V _{OL} ≤ 0.4V		0.65	0.85	V	
Output current while on 1	I _{OL1}	1	V _{CC} =V _s min. -0.05V, R _L =0	8			mA	
Output current while on 2	I _{OL2}	1	V _{CC} =V _s min. -0.05V, R _L =0 Ta=-20~+75°C	6			mA	
M/R pin input H voltage	V _{RESH}			2.0			V	
M/R pin input H current	I _{RESH}		V _{RESH} =2.0V		10	60	μA	
M/R pin input low voltage	V _{RESL}			-0.3		0.8	V	

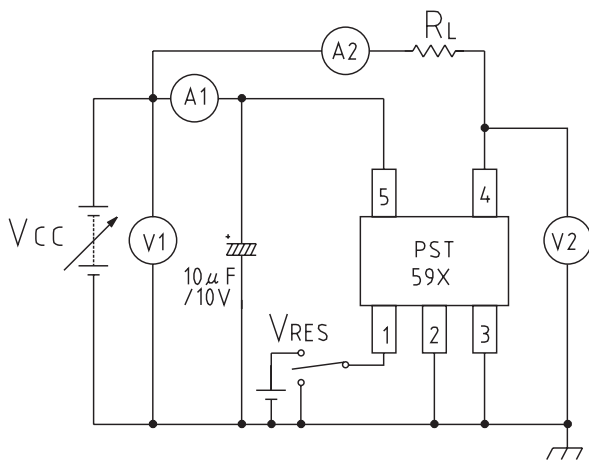
*1 : T_{PLH} ; V_{CC}= (V_s typ.-0.4V) → (V_s typ.+0.4V)

*2 : T_{PHL} ; V_{CC}= (V_s typ.+0.4V) → (V_s typ.-0.4V)

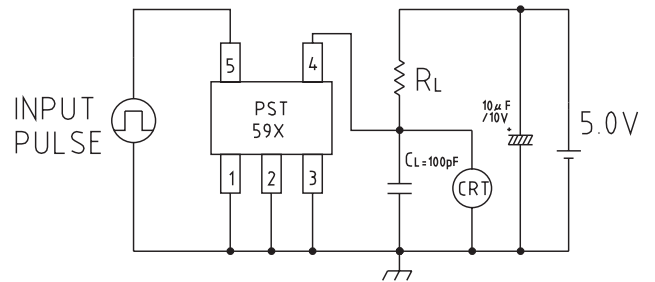
Note 3: Connect manual reset pin to GND when not using.

Measuring Circuit

[1]

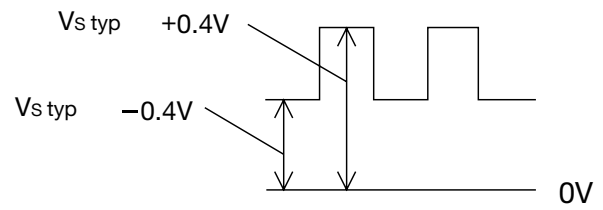


[2]

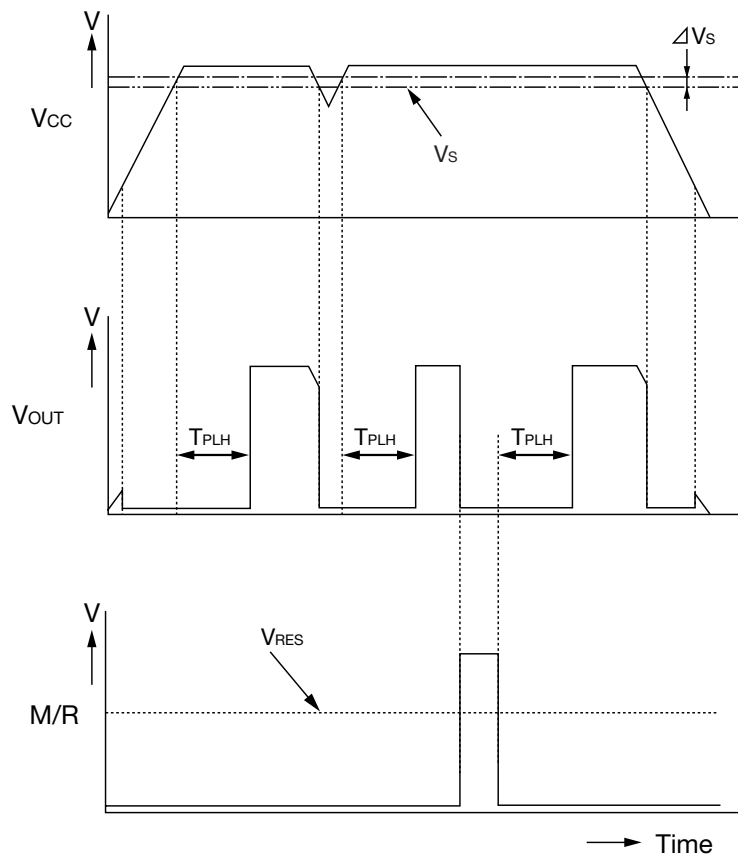


A : DC ammeter
 V : DC voltmeter
 CRT: Oscilloscope

INPUT PULSE

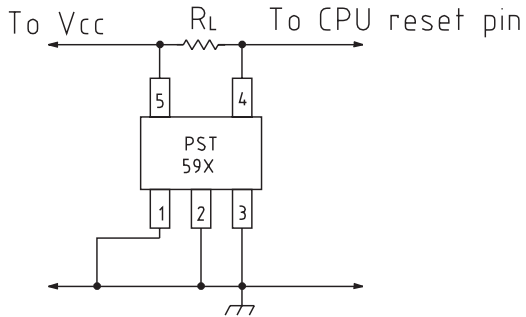


Timing Chart



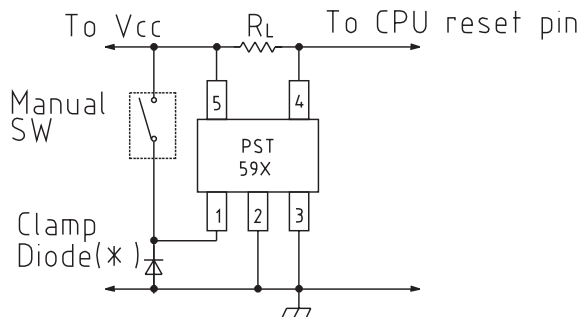
Application circuits

1. Normal hard reset



Note: Connect a capacitor between IC V_{CC} and GND pins if V_{CC} line impedance is high.

2. Manual reset



V_{OUT} pin low for manual switch ON.

V_{OUT} pin high for manual switch OFF.

*: Mount a clamp diode if it is possible that the M/R pin might go below $-0.3V$.

Characteristics

V_{CC} vs V_{OUT}

