



DESCRIPTION

PT2241 is a tri-state programmable encoder utilizing CMOS Technology specially designed for remote control applications. It encodes address and data codes into a coded waveform suitable for RF modulation and can provide up to 11 Address which may be designed by a one-time programmable process. PT2241 can support up to 4 Data Bits, thereby reducing inventory pressures. It is housed in 8 or 16-pin DIP or SO Package. The pin assignments and application circuit are optimized for easy PCB Layout and cost saving advantage.

FEATURES

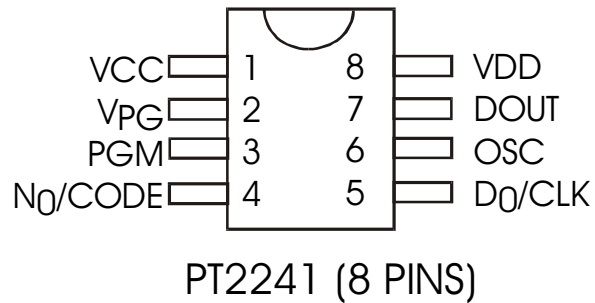
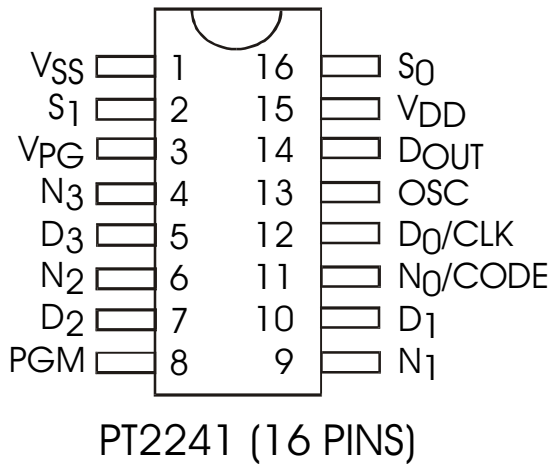
- CMOS Technology
- Low Power Consumption
- Least External Components
- High Noise Immunity
- Single Resistor Oscillator
- Operating Voltage: 1.8~15 V
- Up to 4 Data Pins
- Up to 3¹¹ Address Codes
- One-Time Programmable Process
- Available in SO or DIP Package
- Reduction of Inventory Pressures

APPLICATIONS

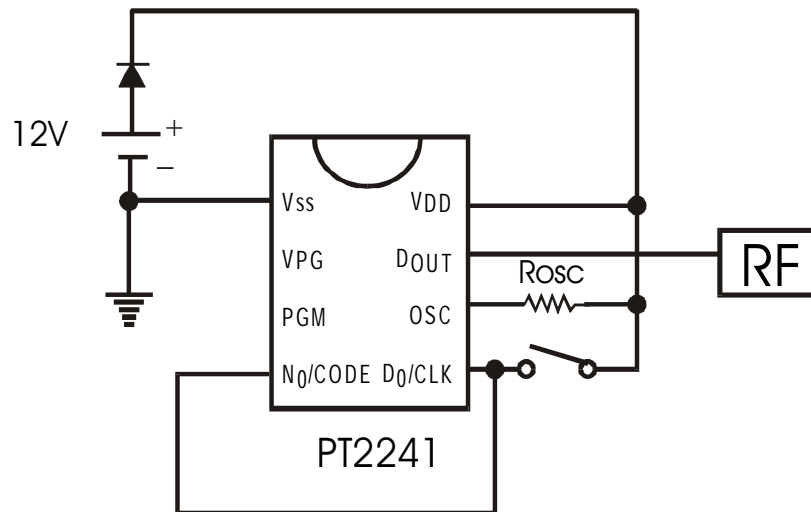
- Burglar Alarm System
- Car Security System
- Car/Garage Door Controller
- Home/Office Security System
- Personal Alarm System



PIN CONFIGURATIONS



APPLICATION CIRCUITS

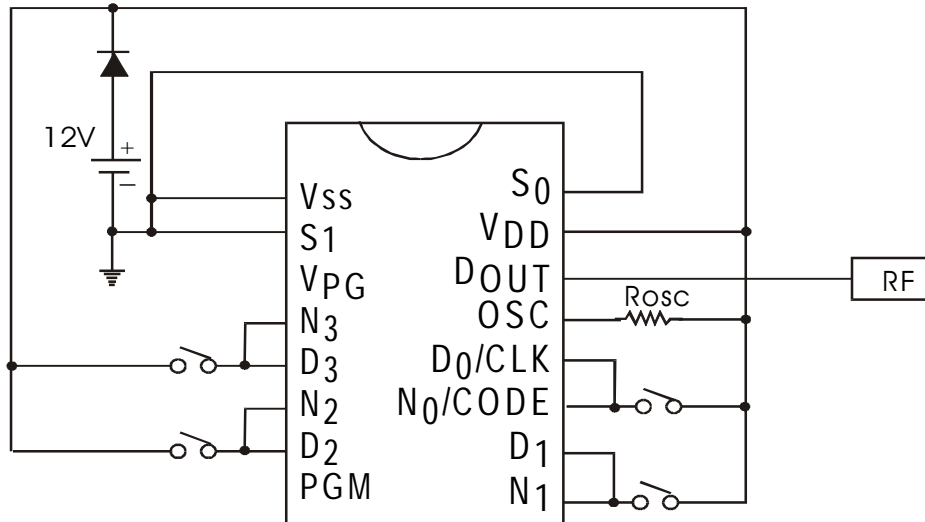


Note: In order that IC protection is assured, please make sure that a diode is connected between the battery and the VDD. If the diode is not connected and the battery polarity was inverted, the IC will fail.



Programmable Encoder IC

PT2241



PT2241

Note: In order that IC protection is assured, please make sure that a diode is connected between the battery and the VDD. If the diode is not connected and the battery polarity was inverted, the IC will fail.

ORDER INFORMATION

Valid Part Number	Package	Address Codes
PT2241	8 Pins, DIP	Programmable
PT2241-S	8 Pins, SOP (150 mil)	Programmable
PT2241P	8 Pins, DIP	Programmed
PT2241P-S	8 Pins, SOP (150 mil)	Programmed
PT2241-16	16 Pins, DIP	Programmable
PT2241-16S	16 Pins, SOP (150 mil)	Programmable
PT2241P-16	16 Pins, DIP	Programmed
PT2241P-16S	16 Pins, SOP (150 mil)	Programmed