



## **Description**

PT6596 is a picture cell driver for STN utilizing CMOS Technology having 1/3 duty display. It provides up to 32 segments and 3 commons, thereby driving up to maximum of 96 cells. Available in 44-pin LQFP package, PT6596 is highly suitable for portable terminal, household appliances and other related applications. Pin assignments and application circuit are optimized for easy PCB Layout and cost saving advantages.

## **Features**

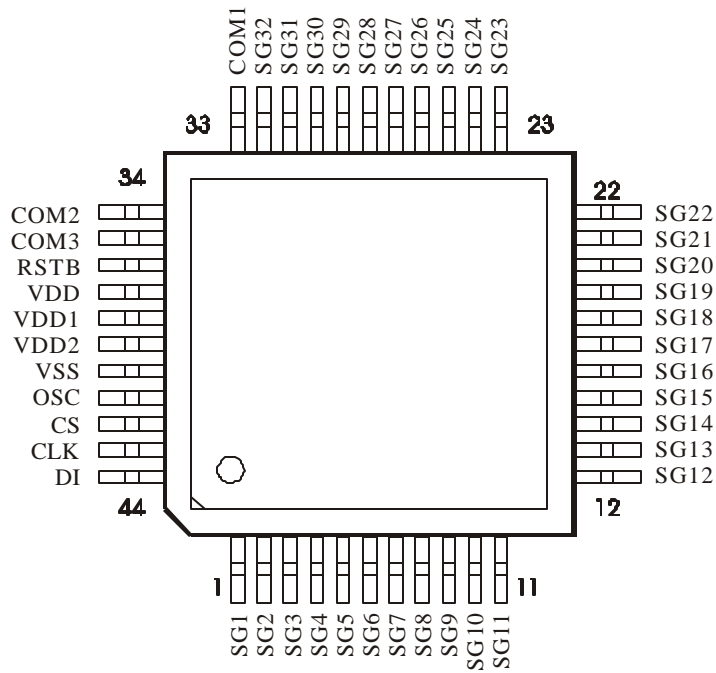
- CMOS Technology
- Up to 32 Segment Output Drivers
- Up to 3 Common Output Drivers
- 1/3 Duty Display
- 1/2 or 1/3 Bias can be selected for LCD Power Supply

## **Applications**

- Multi-Media Portable Terminal
- P.O.S. Terminal
- ECR Terminal
- Short Wave Radio
- Telephone
- Camera
- VCR
- Movie Projector
- Car Audio System

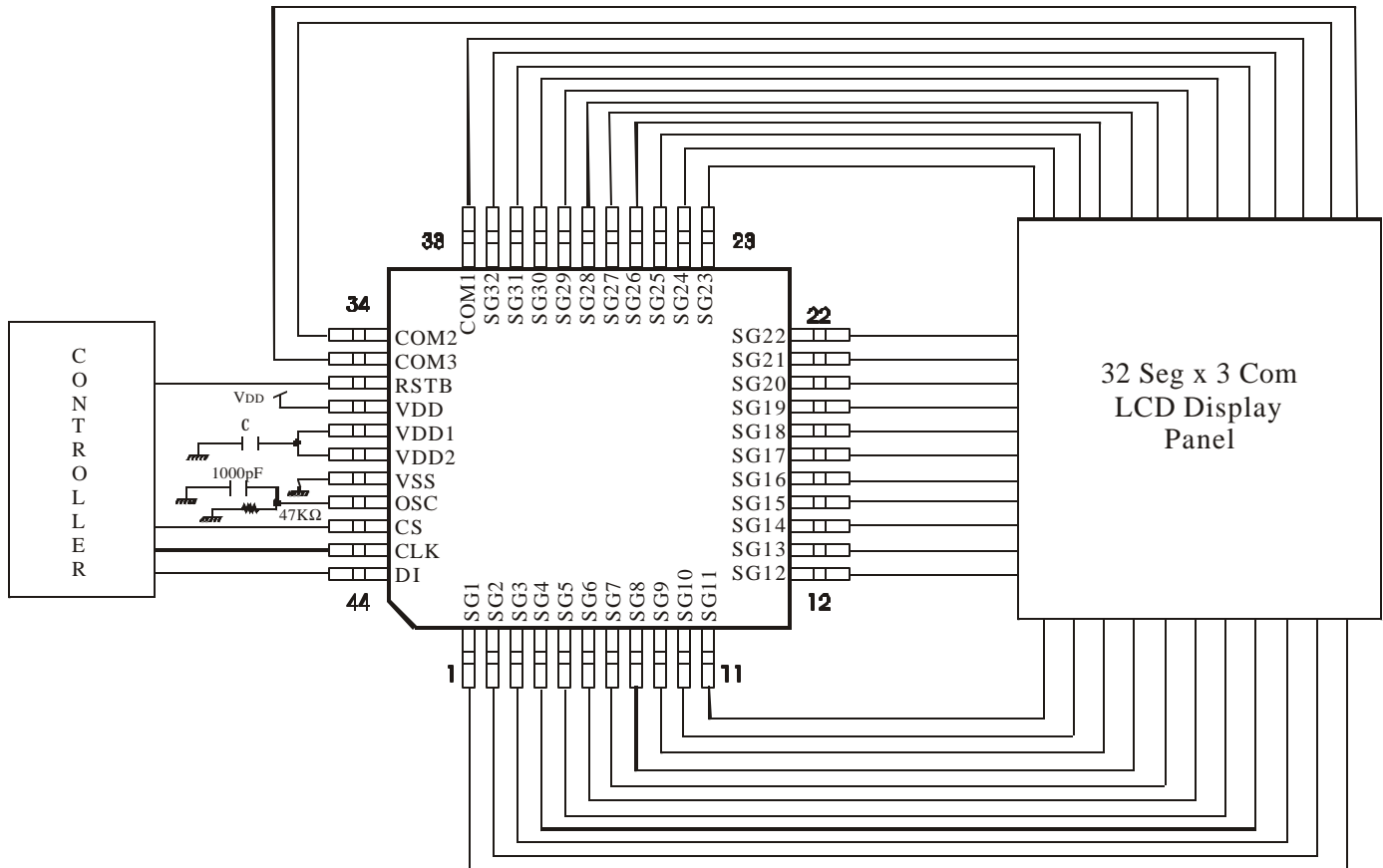


### Pin Configuration





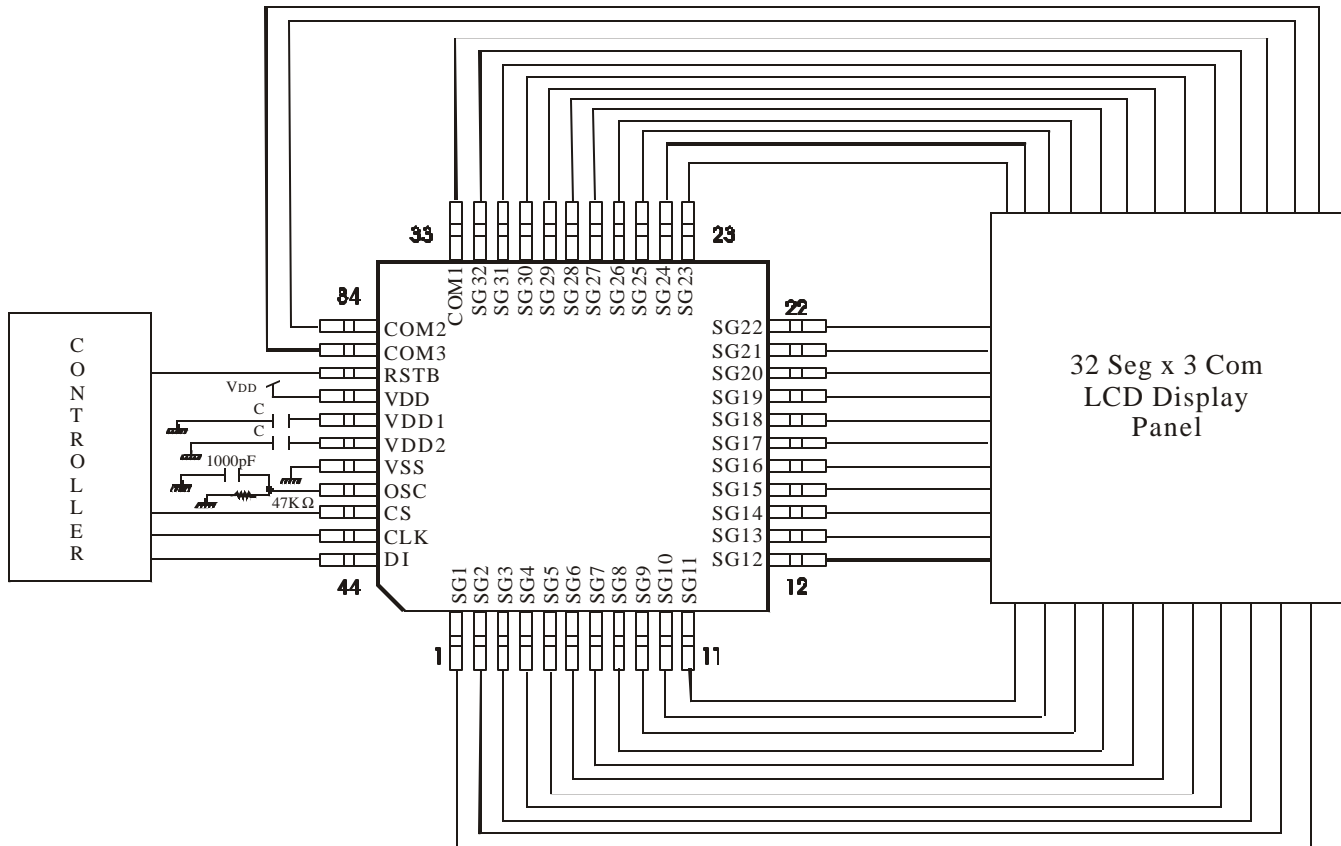
Application Circuit 1 :1/2 Bias Mode



where:  $C \geq 0.047\mu F$



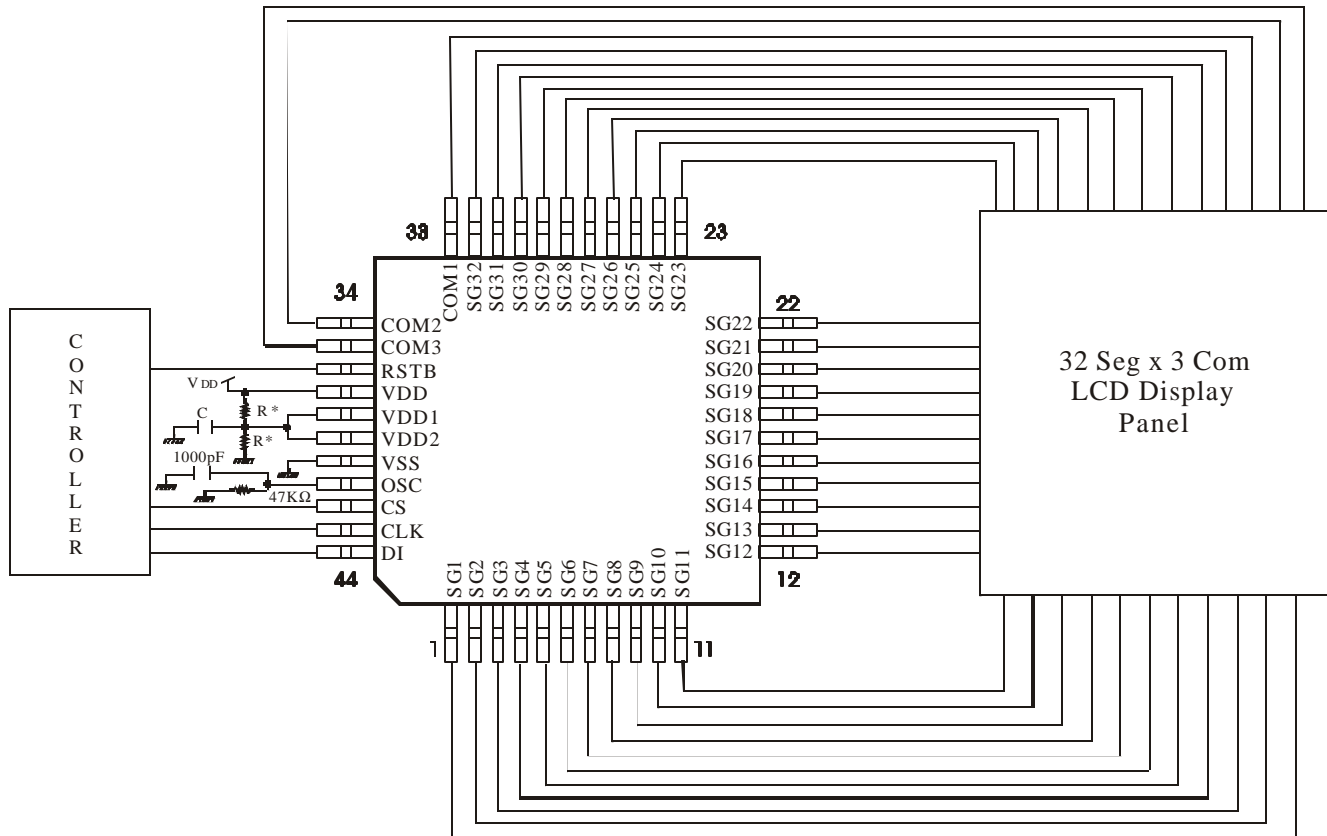
### Application Circuit 2: 1/3 Bias Mode



where:  $C \geq 0.047\mu\text{F}$



### Application Circuit 3: 1/2 Bias Mode

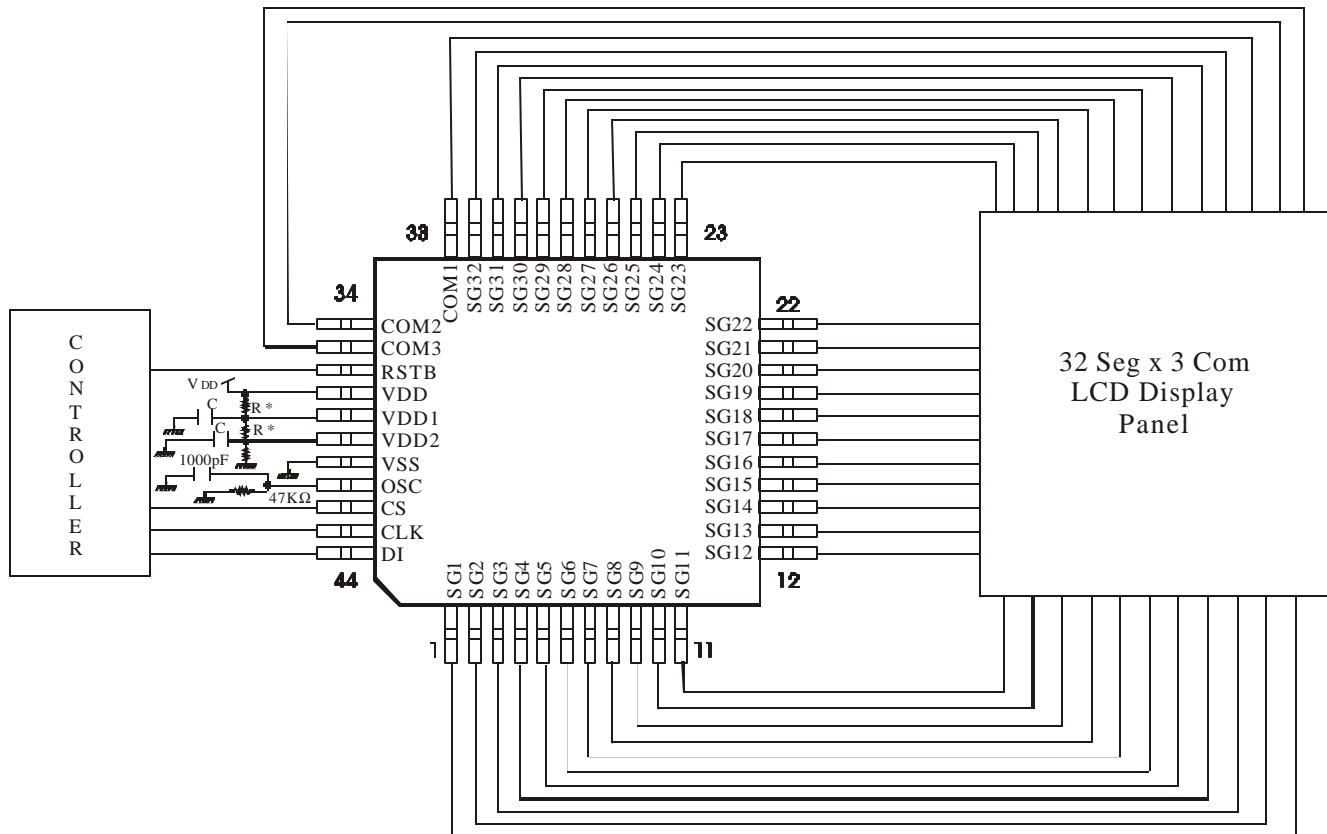


where:  $C \geq 0.047\mu\text{F}$

Note:  $R^*$  = The resistance and capacitance values should be set to match the LCD panel and should be checked using the test operation.



### Application Circuit 4: 1/3 Bias Mode



where:  $C \geq 0.047\mu\text{F}$

Note: R\* = The resistance and capacitance values should be set to match the LCD panel and should be checked using the test operation.

### Order Information

Valid Part Number	Package
PT6596LQ	44 Pins, LQFP Package