

Features

- Dual and single through-hole models available
- Low height of only 6.3 mm
- Matched to leading transceiver ICs
- Lead free version available (see How to Order)

- Lead free versions are RoHS compliant*

Applications

- Telecom

PT66005 - T1/CEPT/ISDN PRI Transformer

Electrical Specifications @ 25 °C

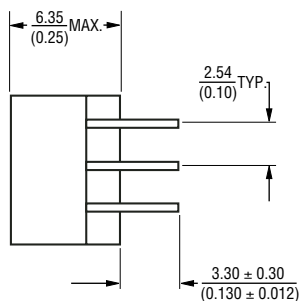
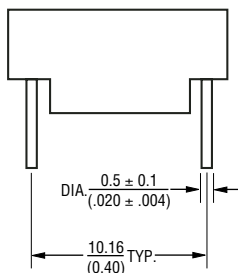
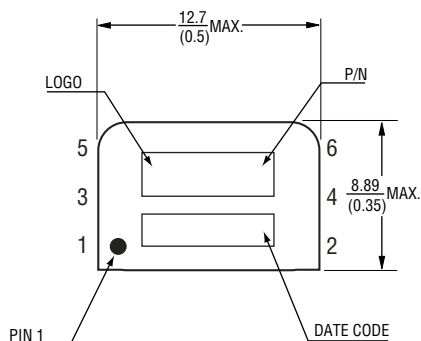
Turns Ratio $\pm 5\%$ (I : II)	1:1
OCL (mH min.)	1.2
Interwinding Capacitance	
C _{ww} (pF max.)	25
Leakage Inductance L _s (μ H max.)	0.5
HIPOT 50 Hz for 2 sec. (I : II)	1500
DCR (Ω max.)	0.7
Operating Temperature (°C)	0 to +70

Other OCL specifications available on request.

Packaging Specifications

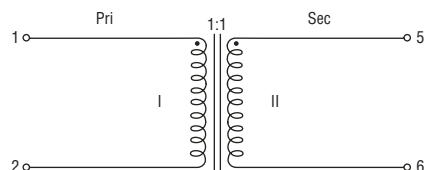
Tube	56 pcs./tube
------------	--------------

Product Dimensions



DIMENSIONS ARE: $\frac{\text{MM}}{\text{(INCHES)}}$

Electrical Schematic



How to Order

PT66005

Model _____

Termination _____

Blank = Tin-lead

L = Tin only (lead free)