

Features

- Dual SMD package with transmit and receive transformer
- Low height of only 5.6 mm
- Wide operating temperature: -40 °C to +85 °C
- Matched to leading transceiver ICs

- Lead free version available (see How to Order)
- Lead free versions are RoHS compliant*

Applications

- Telecom

PT66007 & PT66013 - T1/E1/CEPT Transformer

Electrical Specifications @ 25 °C

Turns Ratio ($\pm 3\%$)

PT66007(1-3:16-14)1CT:1.24CT

PT66007 (6-8:11-9)1CT:1CT

PT66013 (1-3:16-15/16-14) 2CT:1/1.26

PT66013 (9-11:6-7/6-8)2CT:1/1.26

OCL (mH) min at 100 kHz, 0.2 V1.5

Crosstalk (dB typ.)

0.1 to 10 MHz.....-60

Pri DCR (ohm max)0.8

Leakage Inductance (uH max.) 0.5

Interwinding Capacity (pF max.)35

HIPOT 60 sec. (Vrms)1500

Insulation Resistance (Mohm)10000

Operating Temperature (°C)-40 to +85

*CT : center tap

Other OCL specifications available on request.

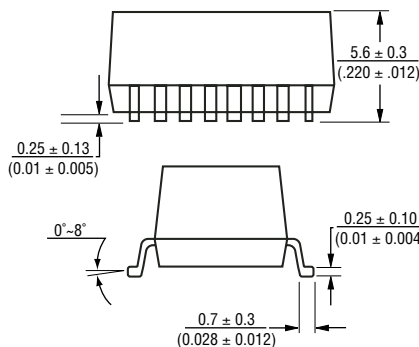
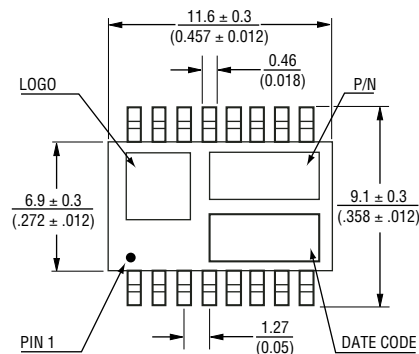
Packaging Specifications

Tubes.....50 pcs./tube

Tape and Reel*750 pcs./reel

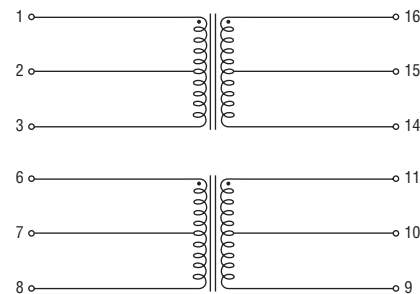
**“E” suffix in part number designates tape & reel packaging, e.g. PT66007E.

Product Dimensions

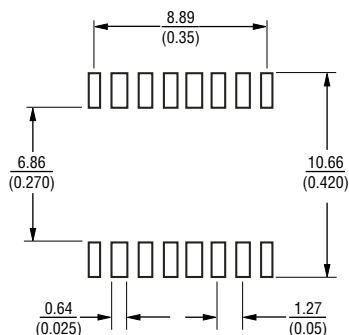


DIMENSIONS ARE: $\frac{\text{MM}}{\text{(INCHES)}}$

Electrical Schematic



Recommended Layout



How to Order

