



Description

The PT8402 is a single chip MPEG audio decoder capable of decoding all layers of compressed elementary streams, as specified in MPEG 1 and MPEG 2 ISO standards, including the so-called MP3. Another decoding function that PT8402 supports is AAC (Advance Audio Coding.).

In addition to decoding function, this chip also includes a high-performance D/A converter and headphone driver, so the user can eliminate the need of external DAC and output circuit.

With external A/D converter, it can also compress incoming signal by using ADPCM algorithm, therefore it can also playback ADPCM bitstream.

Features

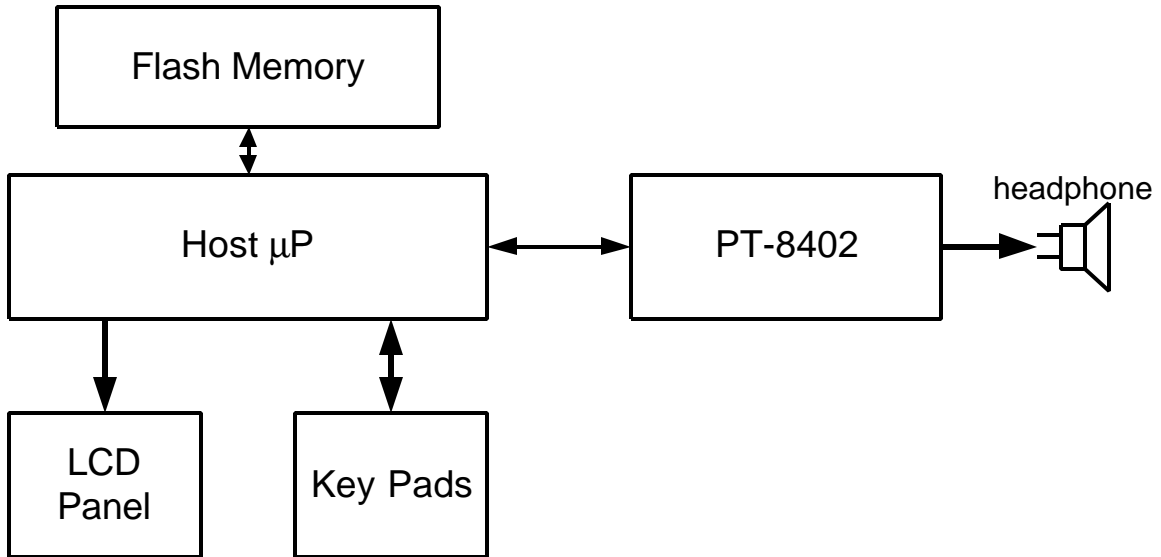
- Supports all the Sampling Frequency of MPEG1 (32/44.1/48KHz) and MPEG2(16/22.05/24KHz).
- Supports AAC ADTS, ADIF Bitstream.
- Serial Bit Stream Input Interface
- I²S/Normal Audio Data Output Format delivered via a Serial Bus
- Power Saving Mode Support
- DAC Master Clock (256*fs / 384*fs for 16 / 24 bit DAC) is supported
- Built-in Volume and Digital Equalizer Control
- Bass Booster, 3D Sound.
- Low Operating Voltage, 2.5V.
- 100-pin, LQFP Package

Applications

- Portable MP3 Player
- PDA
- CD/MP3 player
- All other MP3 applications.



Typical Application





Application Circuit

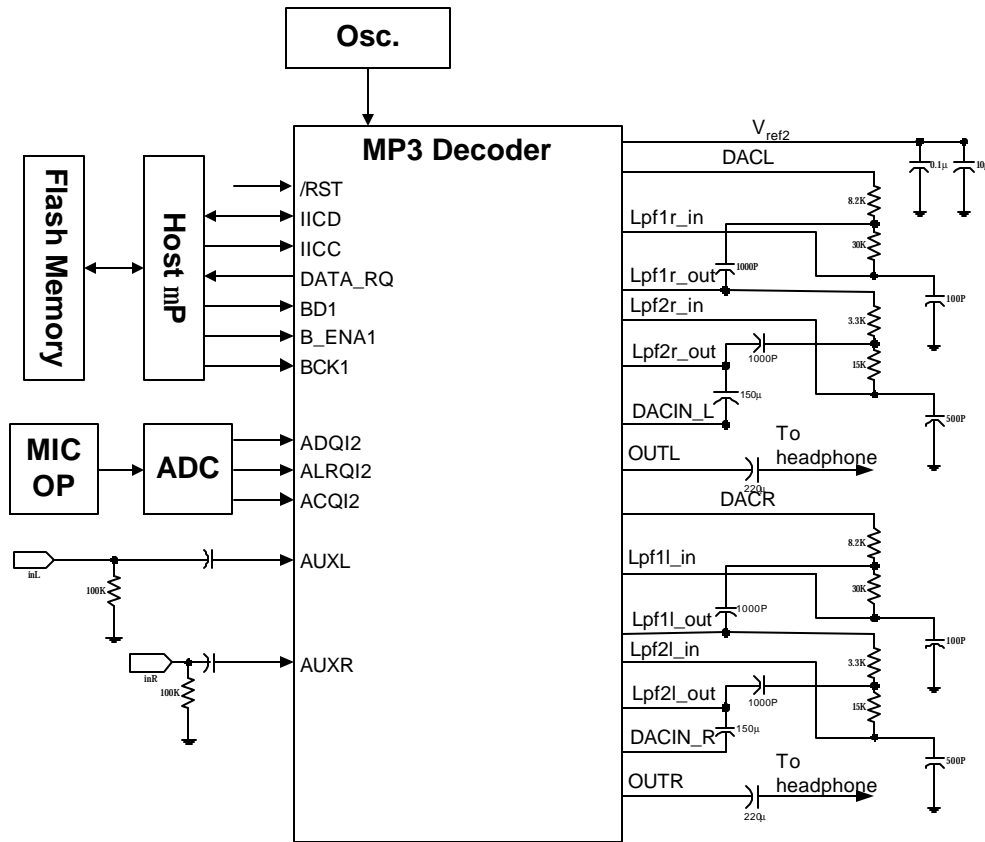


Figure 2 : Typical Connection Diagram