

NPN SILICON RF POWER TRANSISTOR

DESCRIPTION:

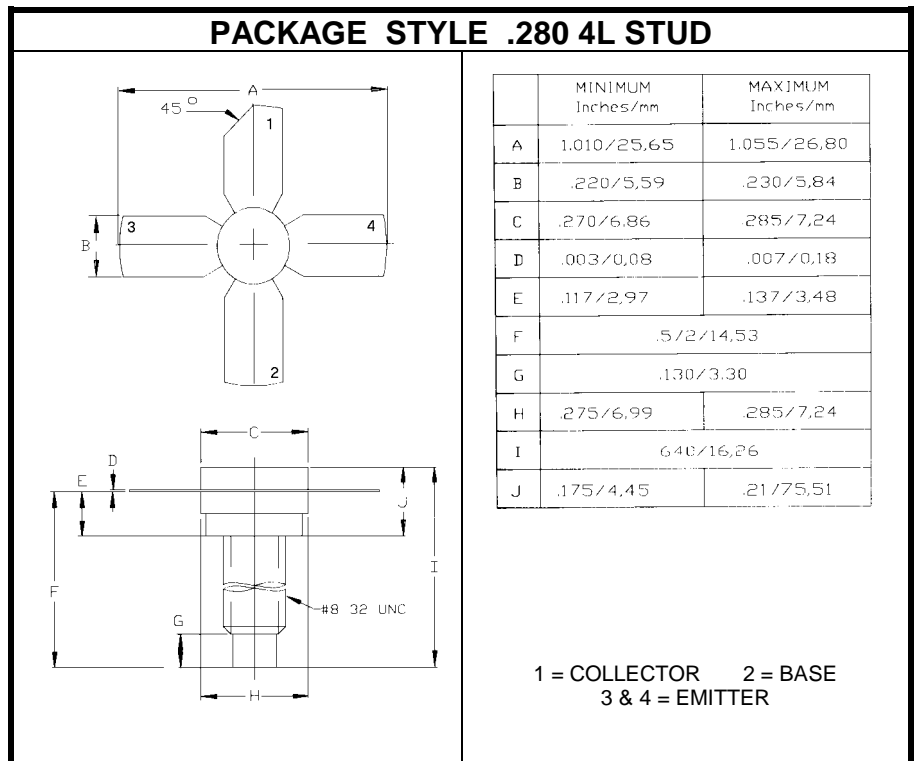
The **ASI PT9702B** is a Common Emitter Device Designed for Class AB and C Amplifier Applications in the 220 - 400 MHz Military Communications Band.

FEATURES INCLUDE:

- Gold Metalization
- Emitter Ballasting
- High Gain

MAXIMUM RATINGS

I_C	2.0 A
V_{CES}	60 V
V_{CEO}	30 V
P_{DISS}	40 W @ $T_C = 25\text{ }^\circ\text{C}$
T_J	-65 $^\circ\text{C}$ to +200 $^\circ\text{C}$
T_{STG}	-55 $^\circ\text{C}$ to +200 $^\circ\text{C}$
θ_{JC}	4.0 $^\circ\text{C/W}$


CHARACTERISTICS $T_C = 25\text{ }^\circ\text{C}$

SYMBOL	TEST CONDITIONS	MINIMUM	TYPICAL	MAXIMUM	UNITS
BV_{CEO}	$I_C = 20\text{ mA}$	30			V
BV_{CES}	$I_C = 20\text{ mA}$	60			V
BV_{EBO}	$I_E = 2.0\text{ mA}$	4.0			V
I_{CBO}	$V_{CB} = 30\text{ V}$			2.0	mA
h_{FE}	$V_{CE} = 5.0\text{ V}$ $I_C = 100\text{ mA}$	10		150	---
C_{ob}	$V_{CB} = 28\text{ V}$ $f = 1.0\text{ MHz}$			24	pF
P_G η_C	$V_{CE} = 28\text{ V}$ $P_{out} = 20\text{ W}$ $f = 400\text{ MHz}$	7.0 60			dB %