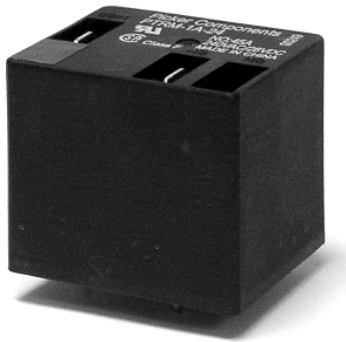


NEW Power PCB Relay With Magnetic Blowout **PTRM**



FEATURES

- PTR relay with magnetic blowout
- Up to 45 amp switching capacity
- Up to 3 horsepower rating
- QC on top and PCB on bottom
- UL Class B insulation standard
- UL Class F insulation available
- Meets UL 873 spacing
- Epoxy sealed, immersion cleanable

 File # E93379  Certificate # LR 109231

UL/CSA RATINGS

Load Type	Voltage	1 Form A (SPST-NO)	1 Form B (SPST-NC)	1 Form C (SPDT)	
				NO	NC
General Purpose	240 VAC	45 A	20 A	30 A	15 A
Resistive	240 VAC	45 A	20 A	30 A	15 A
	28 VDC	30 A	15 A	30 A	15 A
Motor	240 VAC	3 HP	0.75 HP	2HP	0.75 HP
	120 VAC	1.5 HP	0.375 HP	1.5 HP	0.375 HP
LRA/FLA (locked rotor amps/full load amps)	240 VAC	120 A/45 A	45 A/15 A	70 A/30 A	30 A/10.5 A
	120 VAC	147 A/33 A	45 A/15 A	70 A/30 A	30 A/10.5 A
Tungsten	120 VAC	TV8	TV4	TV8	TV4
Ballast	277 VAC	15 A	4.5 A	15 A	4.5 A
Pilot Lamp	125-250 VAC	700 VA			

CONTACT DATA

Material	AgCdO (Silver Cadmium Oxide), AgSnOInO (Silver Tin Oxide Indium Oxide)	
Initial Contact Resistance	50 milliohms max @ 0.1A, 6VDC	
Service Life	Mechanical	1 X 10 ⁷ Operations
	Electrical	1 X 10 ⁴ Operations

CHARACTERISTICS

Operate Time	15 ms. typical
Release Time	10 ms. typical
Insulation Resistance	1,000 megohms min, at 500VDC, 50%RH
Dielectric Strength	1500 Vrms, 1 min. between open contacts
	1500 Vrms, 1 min. between coil and contacts
Shock Resistance	10 g, 11ms, functional; 100 g, destructive
Vibration Resistance	DA 1.5mm, 10-55 Hz
Power Consumption	1W, approx.
Ambient Temperature Range	-55 degrees C to 85 degrees C operating for class B, -40 to 130 degrees C storage
Weight	32 grams approx.

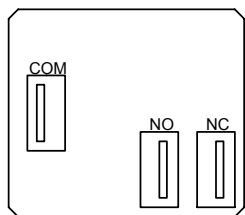
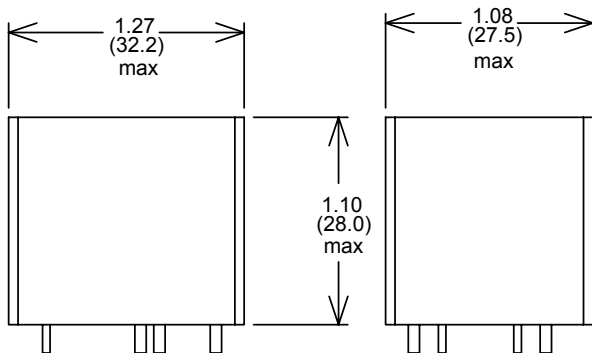
ORDERING INFORMATION

Example:	PTRM	-1C	-12	F
Model				
Contact Form				
1A, 1B, or 1C				
Coil Voltage				
Insulation Class				
Nil: UL Class B; F: UL Class F				

COIL DATA

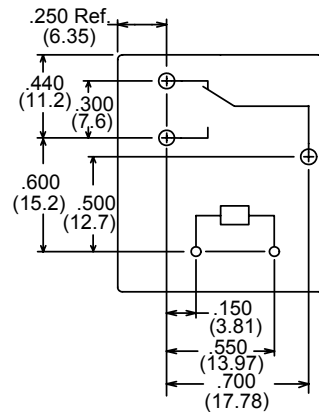
Coil Voltage	Resistance ohms + 10%	Must Operate Voltage Max. (VDC)	Must Release Voltage Min. (VDC)	Continuous Voltage Max. (VDC)
5	27	3.75	0.5	5.5
6	40	4.50	0.6	6.6
9	97	6.75	0.9	9.9
12	155	9.00	1.2	13.2
24	660	18.00	2.4	26.4
48	2560	36.00	4.8	52.8
110	10330	82.50	11.0	121.0

**Overall Dimensions
Inches (millimeters)**



Top terminals .250 in. male QC
Remove sealing tape after flux removal

**Pin Layout
Bottom View
Including Schematic**



Tolerances ± .010 unless otherwise noted
Holes for load term. .081 ± .005 Dia. (2.06 ± .13)
Holes for Coil term. .043 ± .003 Dia. (1.09 ± .08)



3220 Commander Drive, Suite 102, Carrollton, Texas 75006

Sales: Call Toll Free (888) 997-3933 Fax (818) 342-5296 email: pickerwest@sbcglobal.net URL: pickercomponents.com