

# Fast Logic Pulse Width Controller

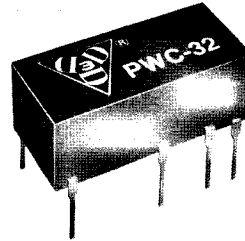
SERIES: **PWC-32**

TTL Interfaced  
14 pin DIP

data  
delay  
devices, inc. 

**Features:**

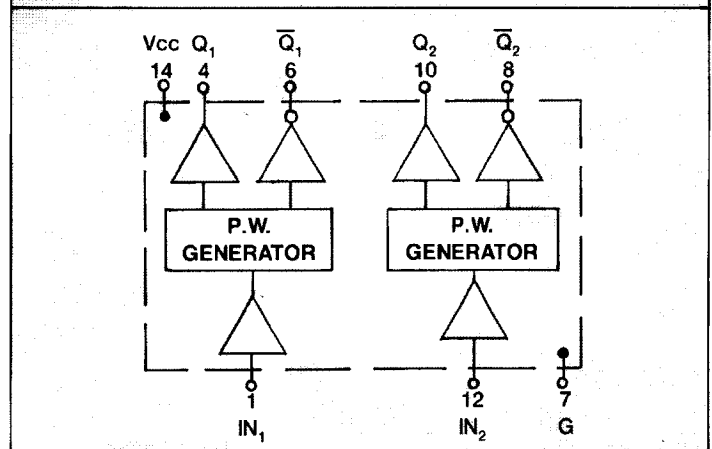
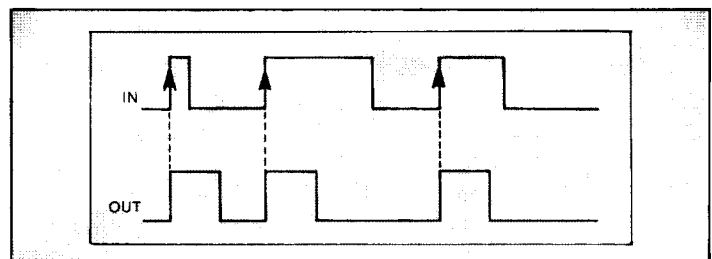
- Two separate & equal pulse width controllers/package
- Exact control of pulse width
- Rising edge trigger
- Auto-insertable
- Low power consumption
- High speed



**Specifications:**

- Trigger inherent delay:  $(T_{DO}) = 7 \text{ ns} \pm 1 \text{ ns}$   
 $(T_{DO}) = 9.5 \text{ ns} \pm 1 \text{ ns}$
- Pulse-width tolerance = 5% or 2 ns (others on request).
- Max. Input PRR = PW + 20 ns.
- Supply voltage: 5 Vdc  $\pm$  5%.
- Supply current: 70 ma. typ.
- Operating temperature: 0°C to 70°C (-55° to 125°C on request).\*
- Temperature coefficient: 100 PPM/°C.
- Output rise-time: 2 ns typ.
- DC parameters: See TTL-Standard Schottky Logic Table on Page 6.

\*DIL package used. E5 case.



Part Number	Pulse Width (ns)
PWC-32-5	5
PWC-32-10	10
PWC-32-15	15
PWC-32-20	20
PWC-32-30	30
PWC-32-40	40
PWC-32-50	50
PWC-32-60	60
PWC-32-75	75
PWC-32-100	100
PWC-32-125	125
PWC-32-150	150
PWC-32-175	175
PWC-32-200	200
PWC-32-250	250

Other pulse-widths available on request.

