

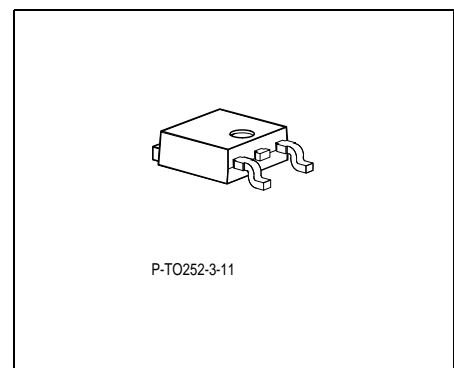
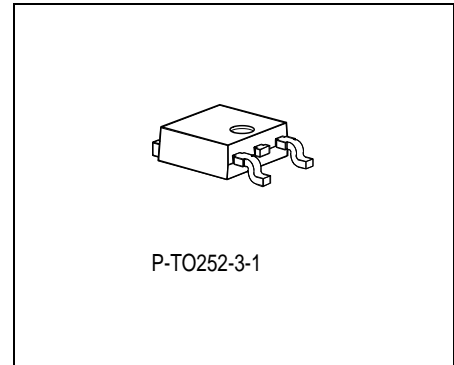
Voltage Regulator

TLE 4117

Target Data Sheet

Features

- Fixed output voltage regulator 1.8 V, 2.5 V, 3.3 V or 5 V
- Adjustable Output down to 1.25 V
- Low Drop typical 1 V
- 800 mA output current
- Short circuit protected
- Overtemperature protected



Type	Ordering Code	Package
▼ TLE 4117 D V	Q67006-A9477	P-TO252-3-1
▼ TLE 4117 D V18	Q67006-A9479	P-TO252-3-1
▼ TLE 4117 D V25	Q67006-A9474	P-TO252-3-11
▼ TLE 4117 D V33	Q67006-A9461	P-TO252-3-11
▼ TLE 4117 D V50	Q67006-A9478	P-TO252-3-1

▼ New device

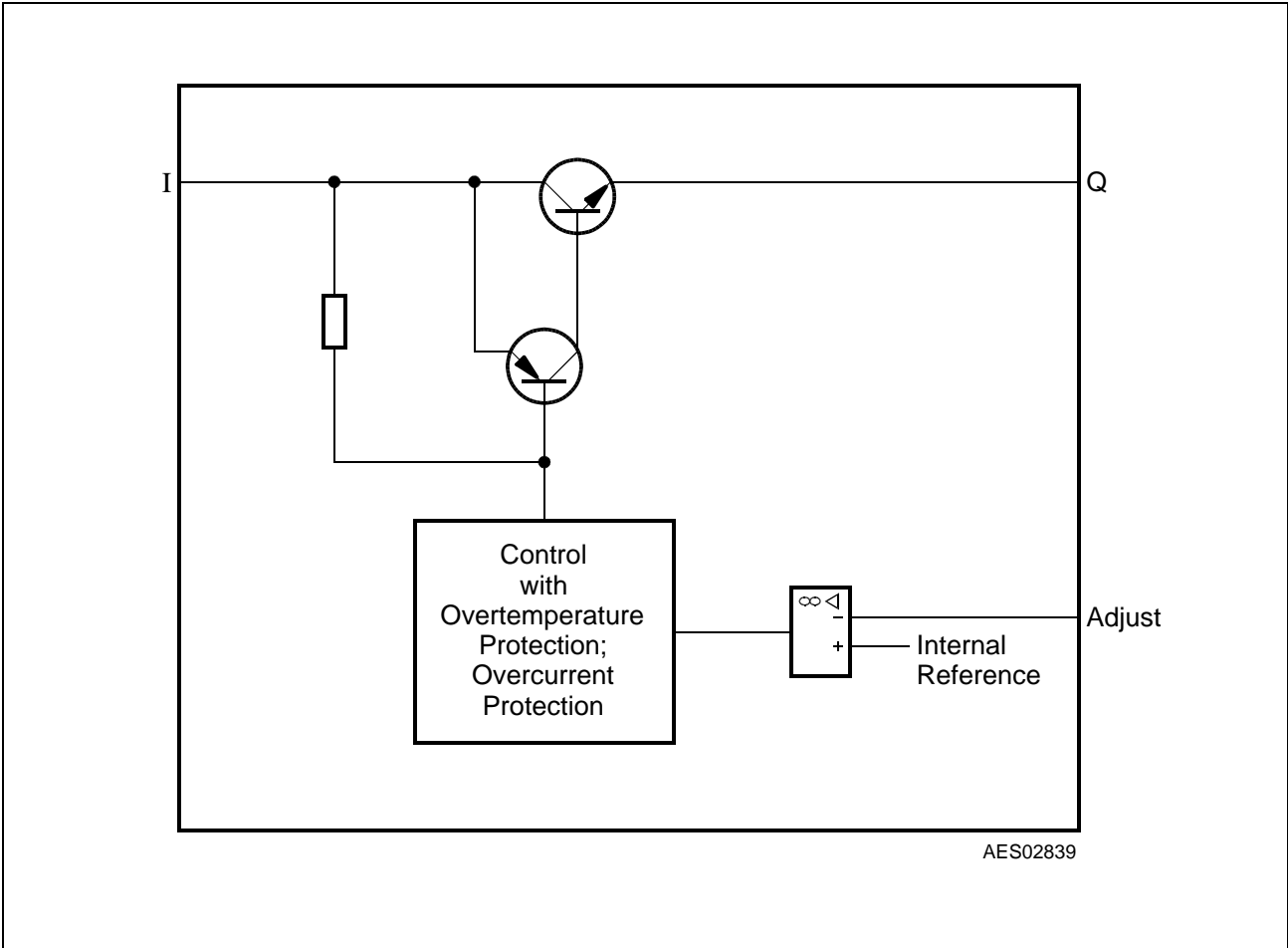


Figure 1 Block Diagram for Adjustable Output Voltage TLE 4117 D V

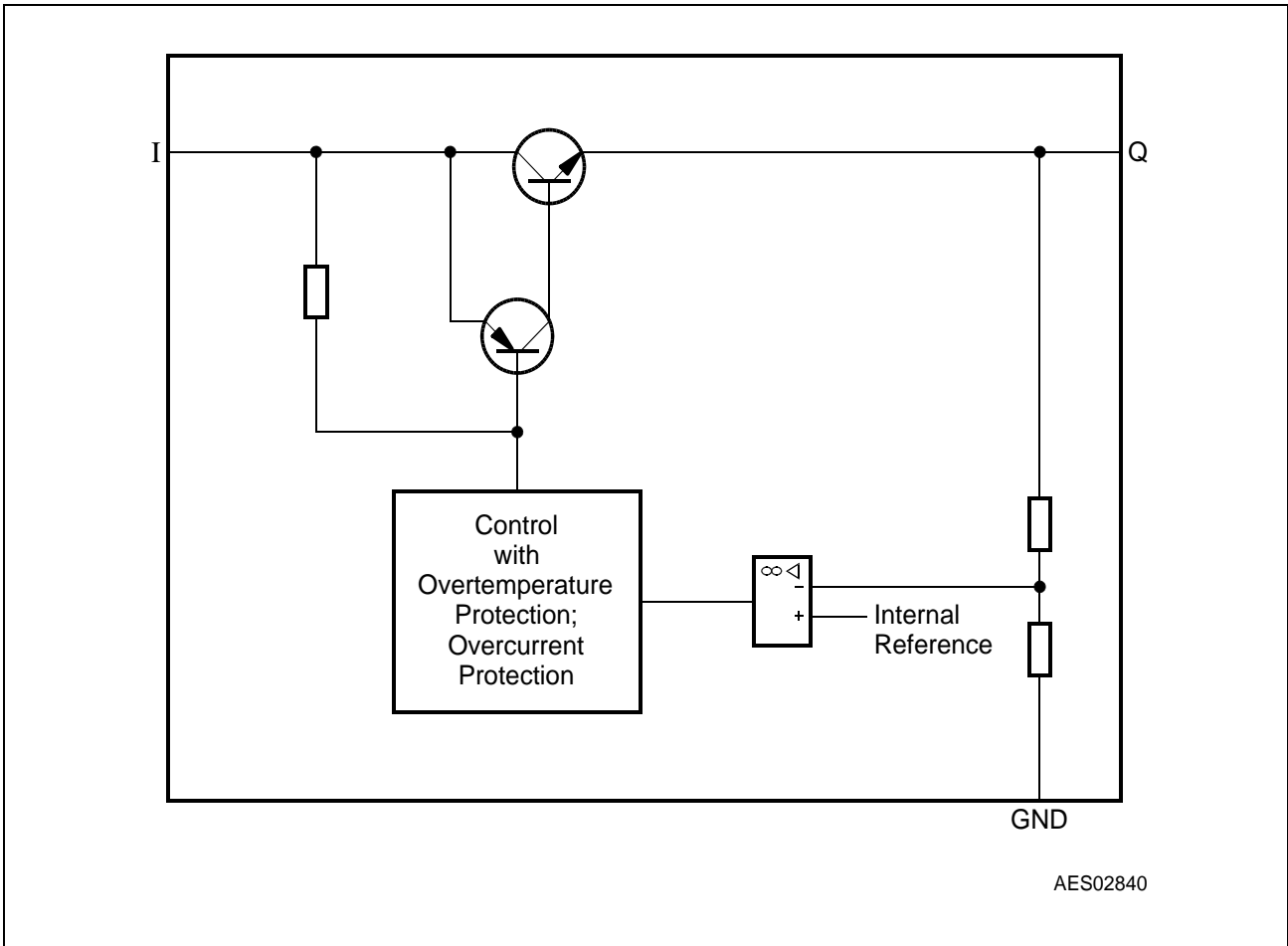


Figure 2 Block Diagram for Fixed Output Voltage TLE 4117 D V18, 25, 33, 50

Functional Description

The TLE 4117 is a 3 terminal positive adjustable or fixed voltage regulator. It is capable to supply 800 mA output current. The fixed voltage devices are available for 1.8 V, 2.5 V, 3.3 V and 5 V output voltage. The adjustable device requires 2 external resistors to define an output voltage between 1.25 V and 40 V. The TLE 4117 is packaged in surface mounted D-Pak package.

The TLE 4117 voltage regulator family offers full overload protection, current limitation, thermal protection and safe operation area protection (SOA).

An output capacitor of 10 μF , $\text{ESR} < 3 \Omega$ is necessary for stability of the regulator loop. The input capacitor is necessary for compensating line influences e.g. to filter glitches. Using a resistor of approx. 1Ω in series with C_i , the oscillating circuit consisting of input inductance and input capacitance can be damped. De-coupling of the adjust pin at variable voltage regulator can improve the ripple rejection ratios.

Pin Configuration
(top view)

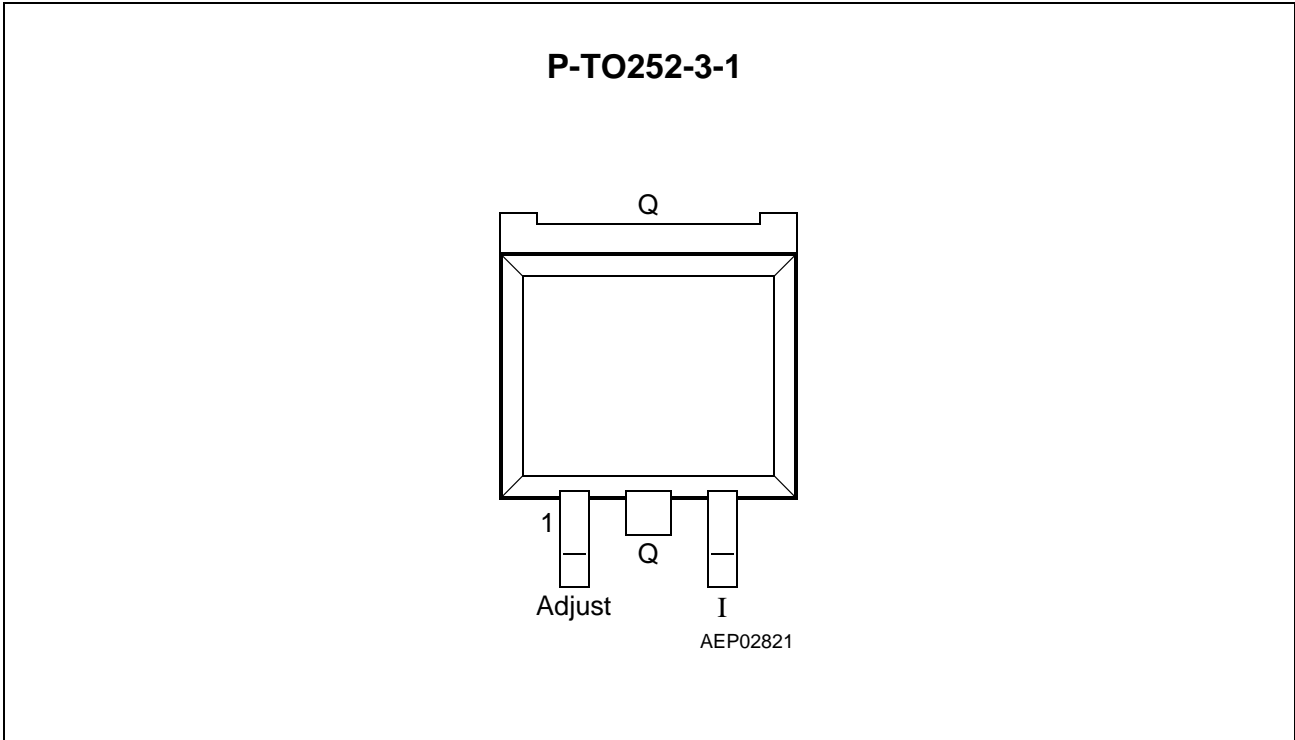


Figure 3

Pin Definitions and Functions TLE 4117 D V

Pin No.	Symbol	Function
1	Adjust	ADJUST
2	Q	Output ; the output voltage is defined by the external voltage divider between Q, Adjust and Ground. A 10 μ F output capacitor with ESR < 3 Ω is required.
3	I	Input

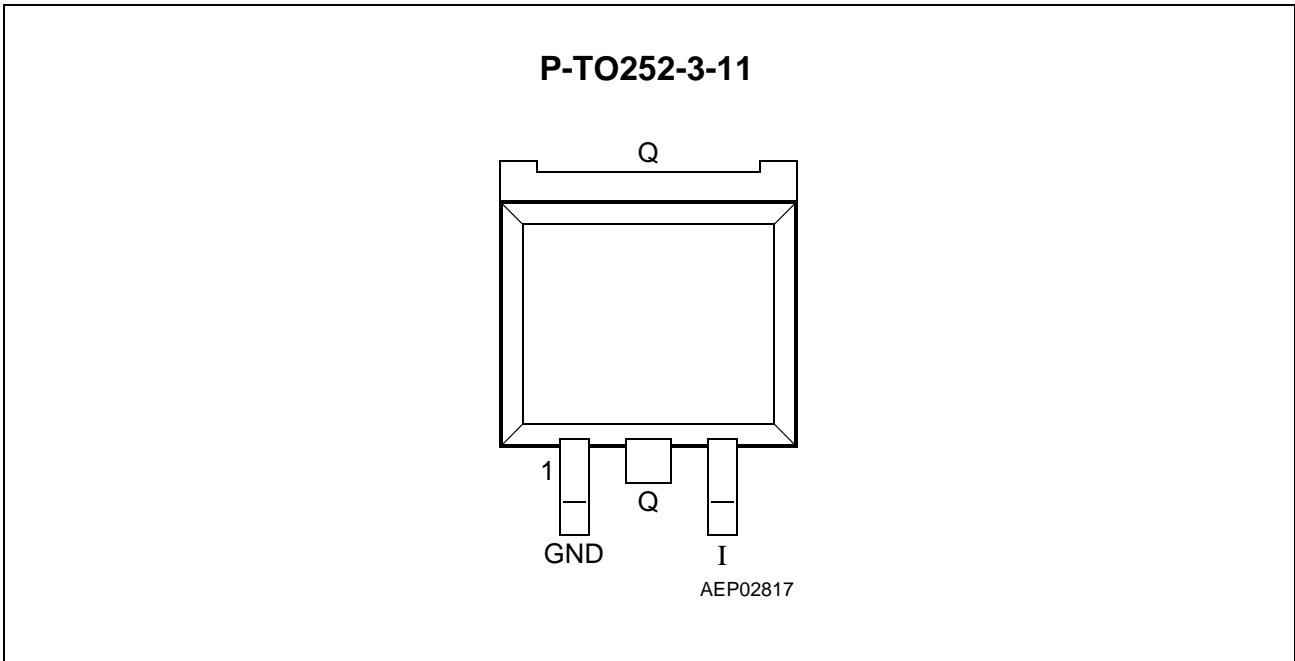


Figure 4

Pin Definitions and Functions TLE 4117 D Vx Fixed Voltage Devices

Pin No.	Symbol	Function
1	GND	Ground
2	Q	Output; Output voltage is 1.8 V, 2.5 V, 3.3 V or 5 V. A 10 μ F output capacitor with ESR < 3 Ω is required.
3	I	Input

Absolute Maximum Ratings

$T_j = 0$ to $125\text{ }^\circ\text{C}$

Parameter	Symbol	Limit Values		Unit	Test Conditions
		min.	max.		

Voltage Regulator

Input - Output Voltage Difference (variable device only)

Voltage	V_I	- 0.3	40	V	-
---------	-------	-------	----	---	---

Input Voltage (fixed voltage version only)

Voltage	V_I	- 0.3	15	V	-
---------	-------	-------	----	---	---

Output (fixed voltage version only)

Voltage	V_Q	- 0.3	40	V	-
Current	I_Q	-	-	-	Internally limited

Ground (fixed voltage version only)

Current	I_{GND}	-	1.2	mA	-
---------	-----------	---	-----	----	---

Temperature

Storage temperature	T_{stg}	- 50	150	$^\circ\text{C}$	-
---------------------	-----------	------	-----	------------------	---

Note: Stresses above those listed here may cause permanent damage to the device. Exposure to absolute maximum rating conditions for extended periods may affect device reliability.

Operating Range

Parameter	Symbol	Limit Values		Unit	Remarks
		min.	max.		
Input - Output voltage difference	$V_I - V_Q$	1.25	40	V	TLE 4117 D V
Input - Voltage	V_I	3.1	40	V	TLE 4117 D V18
Input - Voltage	V_I	3.8	40	V	TLE 4117 D V25
Input - Voltage	V_I	4.5	40	V	TLE 4117 D V33
Input - Voltage	V_I	6.3	40	V	TLE 4117 D V50
Junction temperature	T_j	0	125	°C	–

Thermal Resistance

Junction ambient	R_{thja}	–	70	K/W	TO-252 ¹⁾
Junction case	R_{thjc}	–	4	K/W	–

¹⁾ Soldered in, min. footprint.

Note: In the operating range, the functions given in the circuit description are fulfilled.

Characteristics Adjustable Output Voltage Device TLE 4117 D V
 $0\text{ }^{\circ}\text{C} < T_j < 125\text{ }^{\circ}\text{C}$; $C_Q = 10\text{ }\mu\text{F}$, $I_Q = 10\text{ mA}$; unless otherwise specified.

Parameter	Symbol	Limit Values			Unit	Measuring Conditions
		min.	typ.	max.		
Reference voltage	V_{ADJ}	1.2	1.25	1.3	V	$V_I - V_Q = 2\text{ V}$; $I_Q = 10\text{ mA}$; $T_j = 25\text{ }^{\circ}\text{C}$
Adjust current	I_{ADJ}	–	100	–	μA	$V_I \leq 15\text{ V}$
Adjust current change	ΔI_{ADJ}	–	1	5	μA	$10\text{ mA} \leq I_Q \leq 800\text{ mA}$; $1.4\text{ V} \leq V_I - V_Q \leq 10\text{ V}$
Line regulation	ΔV_Q	–	0.3	1.0	%	$1.5\text{ V} \leq V_I - V_Q \leq 21\text{ V}$ $I_Q = 10\text{ mA}$
Load regulation	ΔV_Q	–	0.3	1.0	%	$V_I - V_Q = 3\text{ V}$ $10\text{ mA} \leq I_Q \leq 800\text{ mA}$
Temperature Stability	ΔV_Q	–	1.0	–	%	¹⁾
Long Term Stability	ΔV_Q	–	0.3	–	%	1000 h; $T_j = 125\text{ }^{\circ}\text{C}^1)$
Quiescent current	I_q	–	1	2	mA	$V_I - V_Q \leq 21\text{ V}$
Output current	$I_{Q\text{ max}}$	800	–	–	mA	$T_j = 25\text{ }^{\circ}\text{C}$; $V_I - V_Q \leq 21\text{ V}$
Minimum Load Current	$I_{Q\text{ min}}$	–	–	0	mA	
Drop voltage	V_{Dr}	–	1	1.1	V	$I_Q = 100\text{ mA}^2)$
Drop voltage	V_{Dr}	–	1.05	1.15	V	$I_Q = 500\text{ mA}^2)$
Drop voltage	V_{Dr}	–	1.1	1.2	V	$I_Q = 800\text{ mA}^2)$
Power Supply Ripple Rejection	PSRR	60	65	–	dB	$f_r = 120\text{ Hz}$; $T_j = 25\text{ }^{\circ}\text{C}^1)$ $V_r = 1\text{ V}_{PP}$; $V_I - V_Q = 3\text{ V}$

¹⁾ Guaranteed by Design.

²⁾ Measured when output voltage dropped 100 mV below nominal voltage.

Characteristics 1.8 V Fixed Output Voltage Device TLE 4117 D V18
 $0\text{ }^{\circ}\text{C} < T_j < 125\text{ }^{\circ}\text{C}$; $C_Q = 10\text{ }\mu\text{F}$, $I_Q = 10\text{ mA}$; unless otherwise specified.

Parameter	Symbol	Limit Values			Unit	Measuring Conditions
		min.	typ.	max.		
Output voltage	V_Q	1.76	1.8	1.84	V	$V_I = 4\text{ V}$, $I_Q = 10\text{ mA}$, $T_j = 25\text{ }^{\circ}\text{C}$
Output voltage	V_Q	1.72	1.8	1.88	V	$3.2\text{ V} \leq V_I \leq 10\text{ V}$ $0 \leq I_Q \leq 800\text{ mA}$
Line regulation	ΔV_Q	–	10	30	mV	$3.2\text{ V} \leq V_I \leq 15\text{ V}$ $I_Q = 0\text{ mA}$
Load regulation	ΔV_Q	–	10	30	mV	$V_I = 3.2\text{ V}$ $1\text{ mA} \leq I_Q \leq 800\text{ mA}$
Temperature Stability	ΔV_Q	–	0.5	–	%	¹⁾
Long Term Stability	ΔV_Q	–	0.3	–	%	1000 h, $T_j = 125\text{ }^{\circ}\text{C}$ ¹⁾
Quiescent current	I_q	–	1	2	mA	$V_I < 21\text{ V}$
Output current	$I_{Q\text{ max}}$	800	–	–	mA	$T_j = 25\text{ }^{\circ}\text{C}$
Minimum Load Current	$I_{Q\text{ min}}$	–	–	0	mA	
Drop voltage	V_{Dr}	–	1	1.1	V	$I_Q = 100\text{ mA}$ ²⁾
Drop voltage	V_{Dr}	–	1.05	1.15	V	$I_Q = 500\text{ mA}$ ²⁾
Drop voltage	V_{Dr}	–	1.1	1.2	V	$I_Q = 800\text{ mA}$ ²⁾
Power Supply Ripple Rejection	PSRR	60	65	–	dB	$f_r = 120\text{ Hz}$, $T_j = 25\text{ }^{\circ}\text{C}$ ¹⁾ $V_r = 0.5\text{ V}_{PP}$, $V_I = 5.5\text{ V}$

¹⁾ Guaranteed by Design.

²⁾ Measured when output voltage dropped 100 mV below nominal voltage.

Characteristics 2.5 V Fixed Output Voltage Device TLE 4117 D V25
 $0\text{ }^{\circ}\text{C} < T_j < 125\text{ }^{\circ}\text{C}$; $C_Q = 10\text{ }\mu\text{F}$, $I_Q = 10\text{ mA}$; unless otherwise specified.

Parameter	Symbol	Limit Values			Unit	Measuring Conditions
		min.	typ.	max.		
Output voltage	V_Q	2.45	2.5	2.55	V	$V_I = 4.5\text{ V}$, $I_Q = 10\text{ mA}$, $T_j = 25\text{ }^{\circ}\text{C}$
Output voltage	V_Q	2.4	2.5	2.6	V	$3.9\text{ V} \leq V_I \leq 10\text{ V}$ $0 \leq I_Q \leq 800\text{ mA}$
Line regulation	ΔV_Q	–	10	30	mV	$3.9\text{ V} \leq V_I \leq 10\text{ V}$ $I_Q = 0\text{ mA}$
Load regulation	ΔV_Q	–	10	30	mV	$V_I = 3.9\text{ V}$ $1\text{ mA} \leq I_Q \leq 800\text{ mA}$
Temperature Stability	ΔV_Q	–	1.0	–	%	¹⁾
Long Term Stability	ΔV_Q	–	0.3	–	%	1000 h, $T_j = 125\text{ }^{\circ}\text{C}^{1)}$
Quiescent current	I_q	–	1	2	mA	$V_I < 10\text{ V}$
Output current	$I_{Q\text{ max}}$	800	–	–	mA	$T_j = 25\text{ }^{\circ}\text{C}$, $V_I < 23\text{ V}$
Minimum Load Current	$I_{Q\text{ min}}$	–	–	0	mA	
Drop voltage	V_{Dr}	–	1	1.1	V	$I_Q = 100\text{ mA}^{2)}$
Drop voltage	V_{Dr}	–	1.05	1.15	V	$I_Q = 500\text{ mA}^{2)}$
Drop voltage	V_{Dr}	–	1.1	1.2	V	$I_Q = 800\text{ mA}^{2)}$
Power Supply Ripple Rejection	PSRR	60	65	–	dB	$f_r = 120\text{ Hz}$, $T_j = 25\text{ }^{\circ}\text{C}^{1)}$ $V_r = 1\text{ V}_{PP}$, $V_I = 5.5\text{ V}$

¹⁾ Guaranteed by Design.

²⁾ Measured when output voltage dropped 100 mV below nominal voltage.

Characteristics 3.3 V Fixed Output Voltage Device TLE 4117 D V33
 $0\text{ }^{\circ}\text{C} < T_j < 125\text{ }^{\circ}\text{C}$; $C_Q = 10\text{ }\mu\text{F}$, $I_Q = 10\text{ mA}$; unless otherwise specified.

Parameter	Symbol	Limit Values			Unit	Measuring Conditions
		min.	typ.	max.		
Output voltage	V_Q	3.24	3.3	3.36	V	$V_I = 5.3\text{ V}$, $I_Q = 10\text{ mA}$, $T_j = 25\text{ }^{\circ}\text{C}$
Output voltage	V_Q	3.16	3.3	3.44	V	$4.75\text{ V} \leq V_I \leq 10\text{ V}$ $0 \leq I_Q \leq 800\text{ mA}$
Line regulation	ΔV_Q	–	10	30	mV	$4.75\text{ V} \leq V_I \leq 15\text{ V}$ $I_Q = 0\text{ mA}$
Load regulation	ΔV_Q	–	10	30	mV	$V_I = 4.75\text{ V}$ $1\text{ mA} \leq I_Q \leq 800\text{ mA}$
Temperature Stability	ΔV_Q	–	1.0	–	%	¹⁾
Long Term Stability	ΔV_Q	–	0.3	–	%	1000 h, $T_j = 125\text{ }^{\circ}\text{C}$ ¹⁾
Quiescent current	I_q	–	1	2	mA	$V_I < 15\text{ V}$
Output current	$I_{Q\text{ max}}$	800	–	–	mA	$T_j = 25\text{ }^{\circ}\text{C}$; $V_I < 24\text{ V}$
Minimum Load Current	$I_{Q\text{ min}}$	–	–	0	mA	
Drop voltage	V_{Dr}	–	1	1.1	V	$I_Q = 100\text{ mA}$ ²⁾
Drop voltage	V_{Dr}	–	1.05	1.15	V	$I_Q = 500\text{ mA}$ ²⁾
Drop voltage	V_{Dr}	–	1.1	1.2	V	$I_Q = 800\text{ mA}$ ²⁾
Power Supply Ripple Rejection	PSRR	60	65	–	dB	$f_r = 120\text{ Hz}$, $T_j = 25\text{ }^{\circ}\text{C}$ ¹⁾ $V_r = 0.5\text{ V}_{PP}$, $V_I = 5\text{ V}$

¹⁾ Guaranteed by Design.

²⁾ Measured when output voltage dropped 100 mV below nominal voltage.

Characteristics 5 V Fixed Output Voltage Device TLE 4117 D V50
 $0\text{ }^{\circ}\text{C} < T_j < 125\text{ }^{\circ}\text{C}$; $C_Q = 10\text{ }\mu\text{F}$, $I_Q = 10\text{ mA}$; unless otherwise specified.

Parameter	Symbol	Limit Values			Unit	Measuring Conditions
		min.	typ.	max.		
Output voltage	V_Q	4.9	5.0	5.1	V	$V_I = 7\text{ V}$, $I_Q = 10\text{ mA}$, $T_j = 25\text{ }^{\circ}\text{C}$
Output voltage	V_Q	4.8	5.0	5.2	V	$6.5\text{ V} \leq V_I \leq 10\text{ V}$ $0 \leq I_Q \leq 800\text{ mA}$
Line regulation	ΔV_Q	–	10	50	mV	$6.5\text{ V} \leq V_I \leq 15\text{ V}$ $I_Q = 0\text{ mA}$
Load regulation	ΔV_Q	–	10	50	mV	$V_I = 6.5\text{ V}$ $1\text{ mA} \leq I_Q \leq 800\text{ mA}$
Temperature Stability	ΔV_Q	–	1.0	–	%	¹⁾
Long Term Stability	ΔV_Q	–	0.3	–	%	1000 h, $T_j = 125\text{ }^{\circ}\text{C}$ ¹⁾
Quiescent current	I_q	–	1	2	mA	$V_I < 15\text{ V}$
Output current	$I_{Q\text{ max}}$	800	–	–	mA	$T_j = 25\text{ }^{\circ}\text{C}$; $V_I < 26\text{ V}$
Minimum Load Current	$I_{Q\text{ min}}$	–	–	0	mA	
Drop voltage	V_{Dr}	–	1	1.1	V	$I_Q = 100\text{ mA}$ ²⁾
Drop voltage	V_{Dr}	–	1.05	1.15	V	$I_Q = 500\text{ mA}$ ²⁾
Drop voltage	V_{Dr}	–	1.1	1.2	V	$I_Q = 800\text{ mA}$ ²⁾
Power Supply Ripple Rejection	PSRR	60	65	–	dB	$f_r = 120\text{ Hz}$, $T_j = 25\text{ }^{\circ}\text{C}$ $V_r = 0.5\text{ V}_{PP}$, $V_I = 5\text{ V}$

¹⁾ Guaranteed by Design.

²⁾ Measured when output voltage dropped 100 mV below nominal voltage.

Note: The listed characteristics are ensured over the operating range of the integrated circuit. Typical characteristics specify mean values expected over the production spread. If not otherwise specified, typical characteristics apply at $T_A = 25\text{ }^{\circ}\text{C}$ and the given supply voltage.

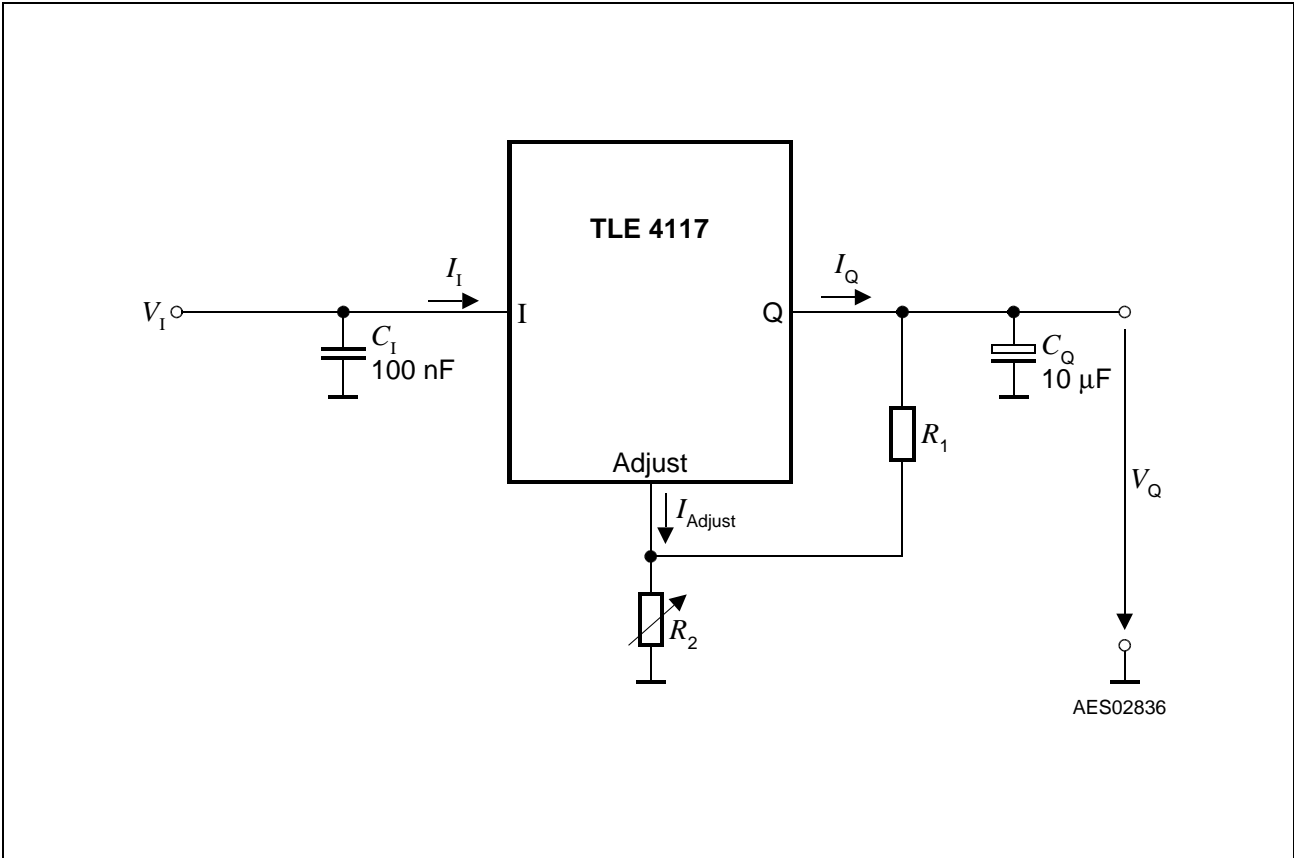


Figure 5 Measuring Circuit Variable Output Voltage TLE 4117 V

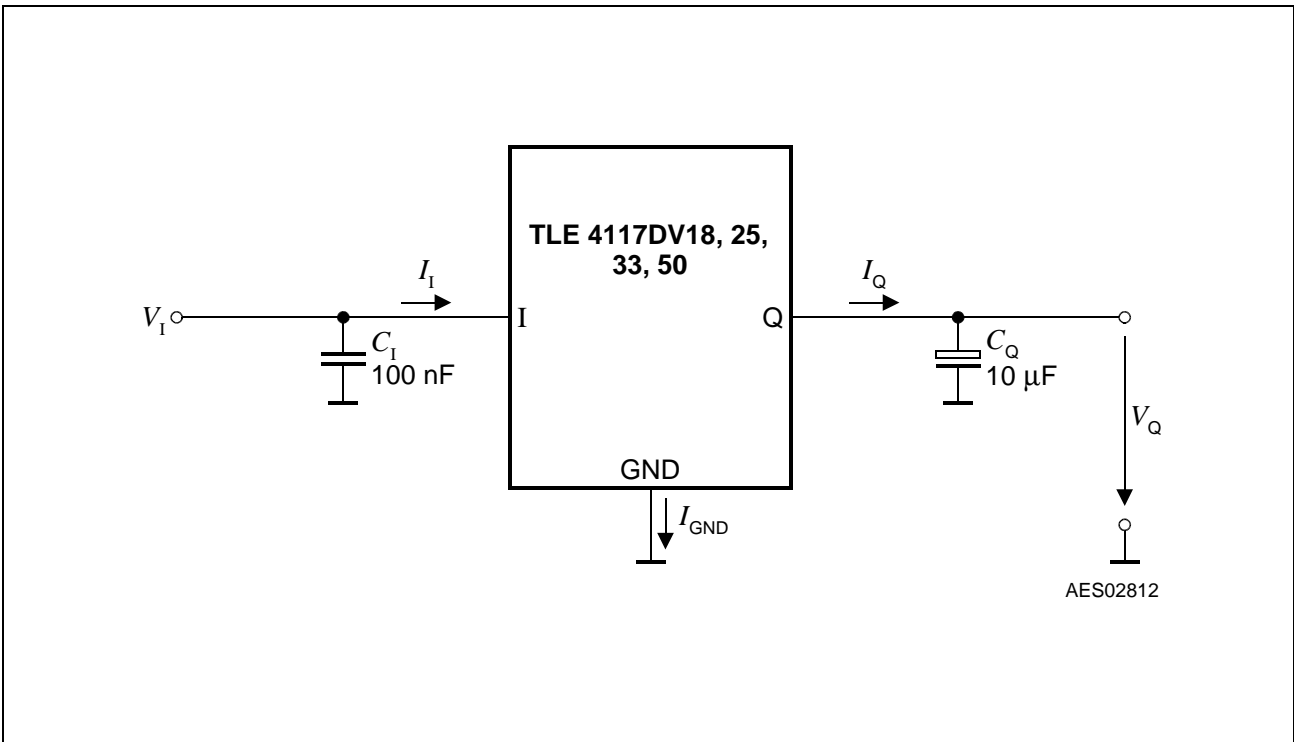


Figure 6 Measuring Circuit Fixed Output Voltage TLE 4117 D V18, 25, 33, 50

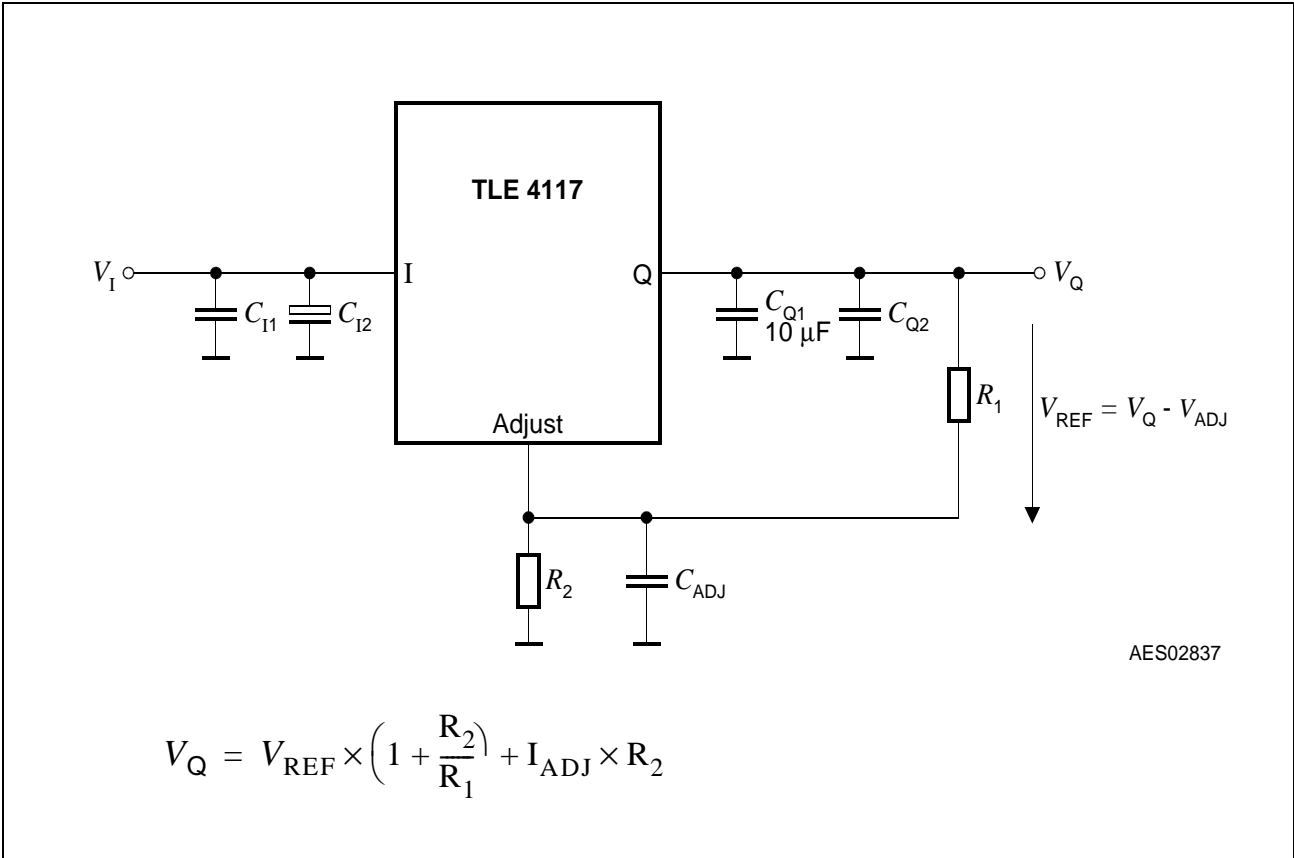


Figure 7 Application Circuit Variable Output Voltage TLE 4117 V

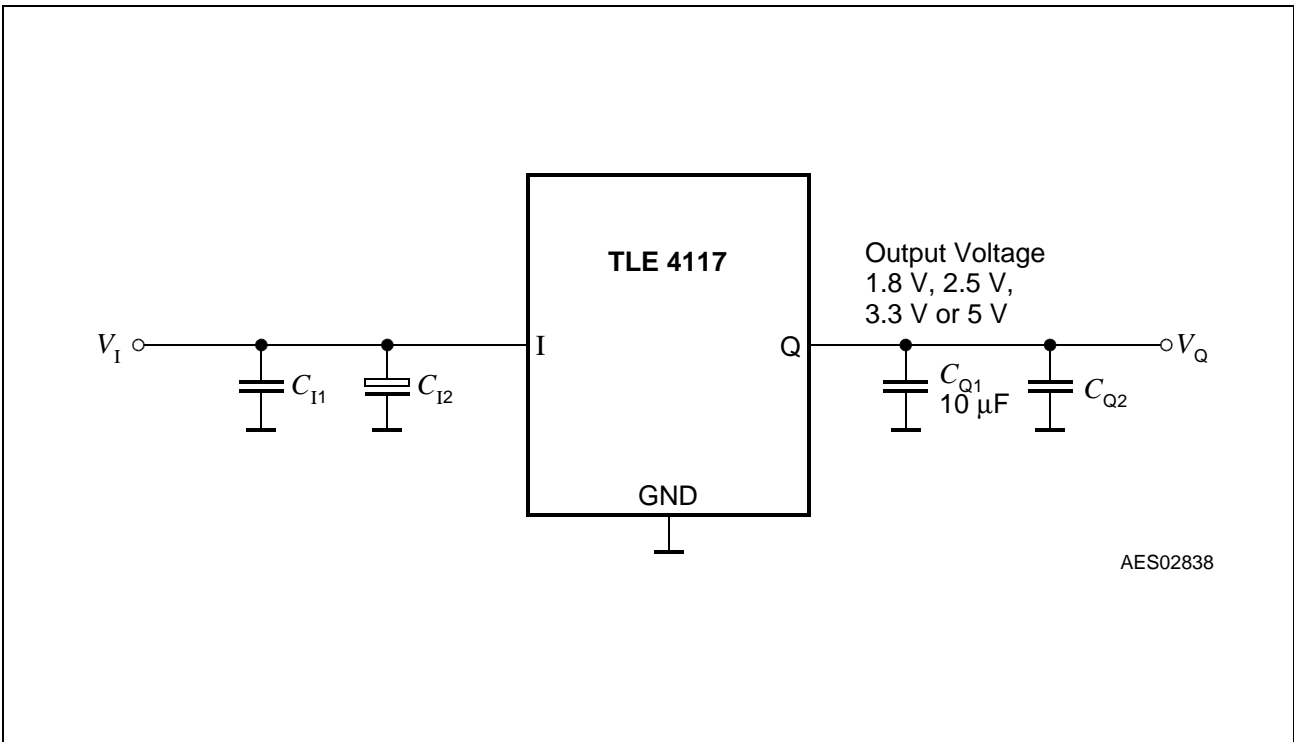
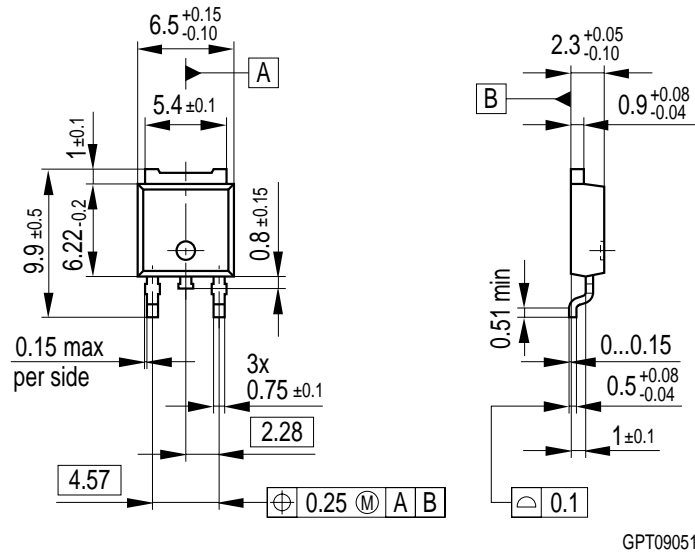


Figure 8 Application Circuit Fixed Output Voltage TLE 4117 D V18, 25, 33, 50

Package Outlines

P-TO252-3-1
(Plastic Transistor Single Outline)



GPT09051

All metal surfaces tin plated, except area of cut.

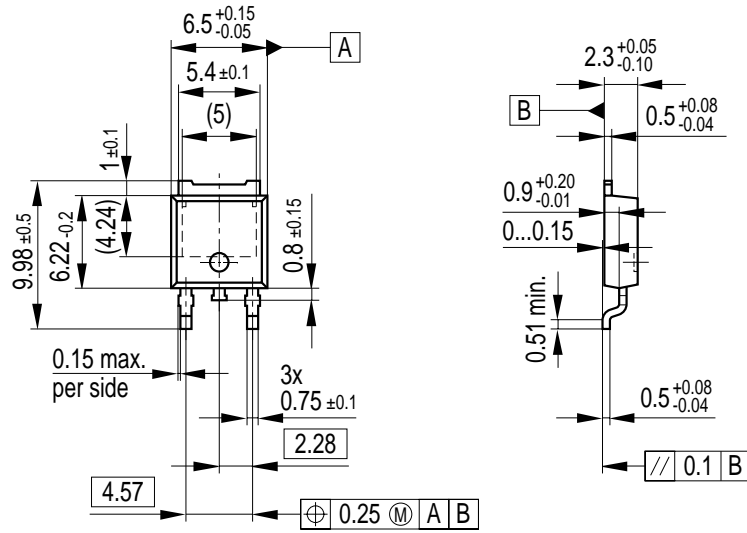
Sorts of Packing

Package outlines for tubes, trays etc. are contained in our Data Book "Package Information".

SMD = Surface Mounted Device

Dimensions in mm

P-TO252-3-11
 (Plastic Transistor Single Outline)



All metal surfaces tin plated, except area of cut.

GPT09277

Sorts of Packing

Package outlines for tubes, trays etc. are contained in our Data Book "Package Information".

SMD = Surface Mounted Device

Dimensions in mm

Edition 2000-05-26

**Published by Infineon Technologies AG,
St.-Martin-Strasse 53,
D-81541 München, Germany**

**© Infineon Technologies AG 2000.
All Rights Reserved.**

Attention please!

The information herein is given to describe certain components and shall not be considered as warranted characteristics.

Terms of delivery and rights to technical change reserved.

We hereby disclaim any and all warranties, including but not limited to warranties of non-infringement, regarding circuits, descriptions and charts stated herein.

Infineon Technologies is an approved CECC manufacturer.

Information

For further information on technology, delivery terms and conditions and prices please contact your nearest Infineon Technologies Office in Germany or our Infineon Technologies Representatives worldwide (see address list).

Warnings

Due to technical requirements components may contain dangerous substances. For information on the types in question please contact your nearest Infineon Technologies Office.

Infineon Technologies Components may only be used in life-support devices or systems with the express written approval of Infineon Technologies, if a failure of such components can reasonably be expected to cause the failure of that life-support device or system, or to affect the safety or effectiveness of that device or system. Life support devices or systems are intended to be implanted in the human body, or to support and/or maintain and sustain and/or protect human life. If they fail, it is reasonable to assume that the health of the user or other persons may be endangered.