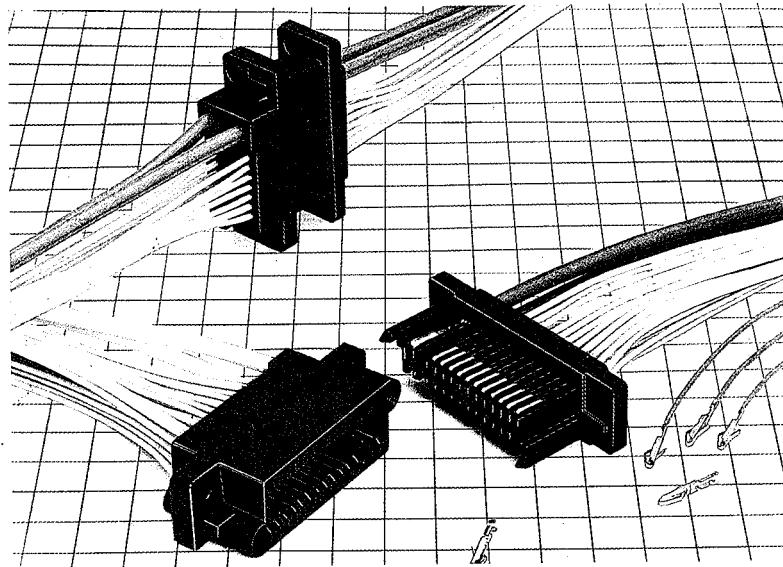


QR/P6 SERIES RECTANGULAR MINIATURE MULTI-CONTACT RACK/PANEL CRIMP CONNECTOR

General

The QR/P6 Series are miniaturized versions of the QR/P and QR/P1 series. Rectangular multi-contact rack and panel connectors for plug-in connection.

Available in 6, 12, 16, and 24 contacts for highly efficient and reliable crimp termination.



Features

- (1) Offers smooth insertion/extraction and stable contact pressure through point-blade contact, and has ample allowance for the deviations in contact length specific to plug-in connection.
- (2) Miniaturized by separating power contacts from signal contacts.
- (3) Signal contacts in the housing are located in pitches of 2.54mm. The opposed contacts at one end of the connector are spaced 6.9mm so that they can withstand high voltage. Can be used for power supplies. Uses flame-retardant insulator (UL94-0).
- (4) Miniaturized using guide pins integral with the insulator.
- (5) Ensures smooth insertion and extraction, and designed to be fixed with stepped screws on a panel or rack.
- (6) The female housing is designed to allow the contact part of the female terminal to be below the mating surface, meeting the Finger Test Requirements (complying with UL1950)
- (7) The connectors of the series have passed UL, CSA and TÜV standards.

Applications

PPC, Transmission/Reception equipment, Data Communication equipment, Vending machines,

Measuring Instruments, Automation equipment, Switch-boards.

Main Specifications

General ratings of QR/P6		
Contact resistance	Power terminal	10mΩ or less at DC1A
	Signal terminal	15mΩ or less at DC1A
Insulation resistance	5000MΩ or less at DC 500V	
Withstand voltage (for 1 min.)	Power unit	AC 1000V
	Signal unit	AC 500V
Rated current	Power terminal	10A
	Signal terminal	1A
Rated voltage	AC 120V	

Main materials		
Insulator	PBT resin *	Black
Terminal	Phosphor bronze	Selective gold plating with nickel underplating

* UL94V-0

QR/P6 ratings approved by safety standards					
Safety standard		UL	CSA	TÜV	
Operating temperature range		-10-+60°C			
Rated voltage	Power supply unit	AC 250V		AC 250V	
	Signal unit			AC 125V	
Rated current	AWG # 14	10A	10A	10A	
	AWG # 16		8A	10A	
	AWG # 18	5A	5A	5A	
	AWG # 20	3A	3A	2.5A	
	AWG # 22			1A	
	AWG # 24	Power supply unit	3A	3A	1A
		Signal unit	1A	2A	1A
	AWG # 26	1A	1A	1A	
AWG # 28	—				

Ordering Information

▲ Connector Unit

QR/P6 - 12 P - C - (01)

(1) (2) (3) (4) (11)

▲ Contact

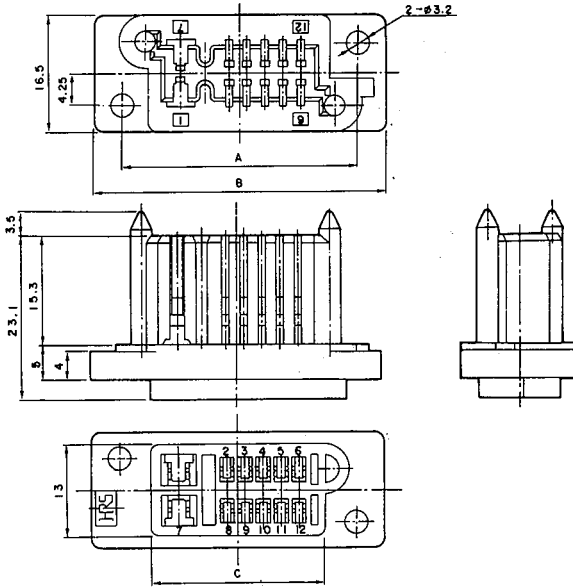
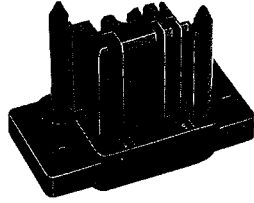
QR/P1 - PC 1 A - 1 1 1

(1) (5) (6) (7) (8) (9) (10)

- | | |
|-------------------------------------|---|
| (1) Series name | (7) Crimp barrel size |
| (2) No. of contacts (6, 12, 16, 24) | A : For thin wires |
| (3) Shape of insulator mating part | B : For thick wires |
| P : Insulated male case | (8) Shape |
| S : Insulated female case | 1 : Loose contact |
| (4) Type of termination | 2 : Chain contact |
| C : Crimp termination | (9) Applicable wire |
| (5) Male/Female | 1 : Power terminal AWG # 18~ # 24 |
| PC: Male crimp terminal | Signal terminal AWG # 24~ # 28 |
| SC: Female crimp terminal | 2 : Power terminal AWG # 14~ # 16 |
| (6) Type | Signal terminal AWG # 22 |
| 1 : Power terminal | (10) Surface terminal |
| 2 : Signal terminal | 1 : Selective gold plating with nickel underplating |
| | (11) Specifications meeting UL, CSA, TÜV requirements |

Housing

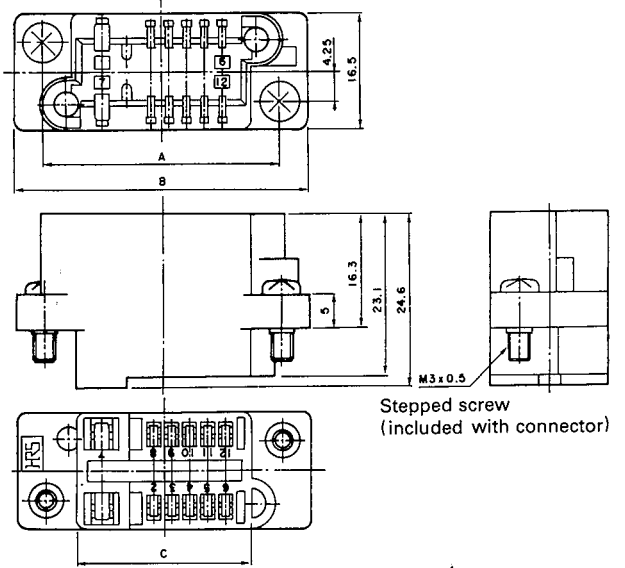
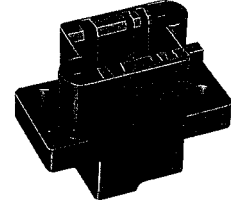
Male housing



Unit : mm

HRS No.	No. of contacts	Product No.	A	B	C
CL221-0162-0-01	6	QR/P6- 6P-C(01)	24.67	32.67	15.87
CL221-0163-2-01	12	QR/P6-12P-C(01)	33.47	41.47	24.67
CL221-0207-6-01	16	QR/P6-16P-C(01)	38.55	46.55	29.75
CL221-0209-1-01	24	QR/P6-24P-C(01)	48.71	56.71	39.91

Female housing



Stepped screw (included with connector)

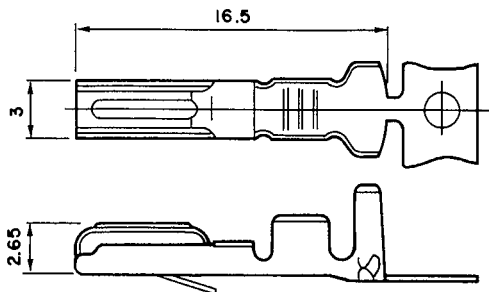
unit: mm

HRS No.	No. of contacts	Product No.	A	B	C
CL221-0161-7-01	6	QR/P6- 6S-C(01)	24.67	32.67	15.87
CL221-0164-5-01	12	QR/P6-12S-C(01)	33.47	41.47	24.67
CL221-0208-9-01	16	QR/P6-16S-C(01)	38.55	46.55	29.75
CL221-0210-0-01	24	QR/P6-24S-C(01)	48.71	56.71	39.91

Note: Determine the combinations with the panel so that the mating clearance between the P side and S side is 1.5mm

Contact

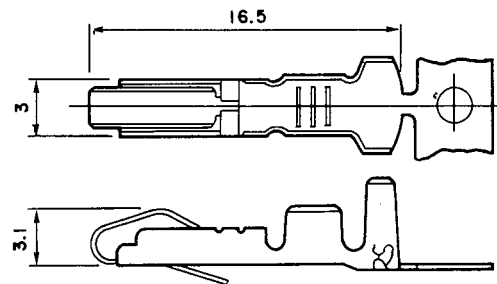
Male power terminal



Selective gold plating with nickel underplating

Applicable wire	HRS No.	Product No.	Shape	Packaging unit
UL1015 AWG # 14-16	CL221-0114-7-12	QR/P1-PC1B-121(12)	Loose piece	100
	CL221-0118-8-12	QR/P1-PC1B-221(12)	Strip	3,000
UL1007 AWG # 18-24	CL221-0102-8-12	QR/P1-PC1A-111(12)	Loose piece	100
	CL221-0106-9-12	QR/P1-PC1A-211(12)	Strip	5,000

Female power terminal

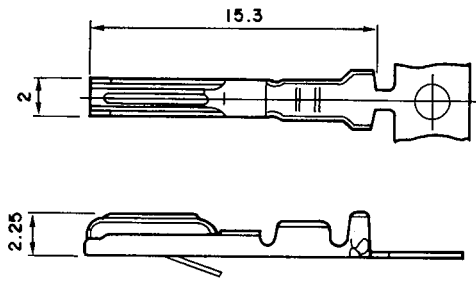


Selective gold plating with nickel underplating

Applicable wire	HRS No.	Product No.	Shape	Packaging unit
UL1015 AWG # 14-16	CL221-0116-2-12	QR/P1-SC1B-121(12)	Loose piece	100
	CL221-0120-0-12	QR/P1-SC1B-221(12)	Strip	3,000
UL1007 AWG # 18-24	CL221-0104-3-12	QR/P1-SC1A-111(12)	Loose piece	100
	CL221-0108-4-12	QR/P1-SC1A-211(12)	Strip	5,000

Contact

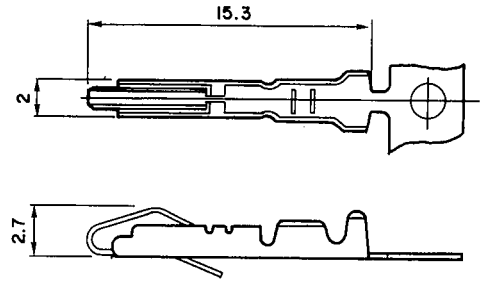
Male signal terminal



Selective gold plating with nickel underplating

Applicable wire	HRS No.	Part No.	Type	Unit
UL1007	CL221-0103-0-12	QR/P1-PC2A-111(12)	Loose	100pin
AWG#24-28	CL221-0107-1-12	QR/P1-PC2A-211(12)	chain	5,000pin

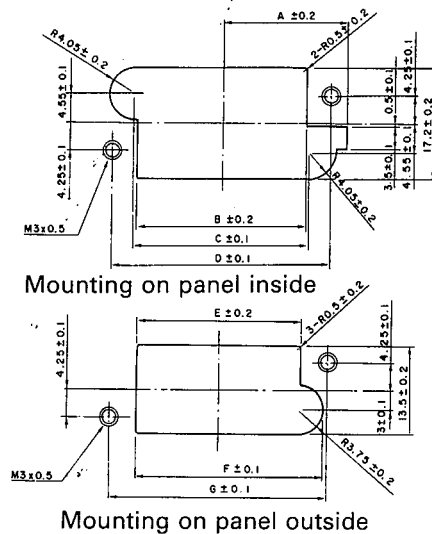
Female signal terminal



Selective gold plating with nickel underplating

Applicable wire	HRS No.	Part No.	Type	Unit
UL1007	CL221-0105-6-12	QR/P1-SC2A-111(12)	Loose	100pin
AWG#24-28	CL221-0109-7-12	QR/P1-SC2A-211(12)	chain	5,000pin

Panel Mounting Dimensions (for Cases with P Insulation)



Mounting on panel inside

Mounting on panel outside

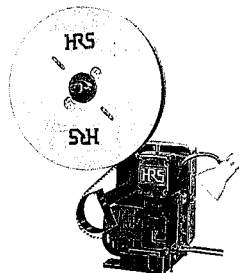
Unit : mm

Sign	6 Pin	12 Pin	16 Pin	24 Pin	
Mounting on panel inside	A	14.87	19.27	21.85	26.95
	B	17.17	25.97	31.18	41.34
	C	18.17	26.97	32.05	42.21
	D	24.67	33.47	38.55	48.71
Mounting on panel outside	E	16.37	25.17	30.25	40.41
	F	19.87	28.67	33.75	43.91
	G	24.67	33.47	38.55	48.71

Applicable Tools



Hand crimping tool



Automatic crimping machine
CM-105
CL901-0005-4

Type	HRS No.	Part No.	Applicable terminal
Hand Crimp Tool	CL250-0020-0	TC-QR/P1-PC1B	QR/P1-PC1B-121
	CL250-0015-0	TC-QR/P1-PC1A	QR/P1-PC1A-111
	CL250-0022-6	TC-QR/P1-SC1B	QR/P1-SC1B-121
	CL250-0017-6	TC-QR/P1-SC1A	QR/P1-SC1A-111
	CL250-0016-3	TC-QR/P1-SC2A	QR/P1-PC2A-111
	CL250-0018-9	TC-QR/P1-SC2A	QR/P1-SC2A-111
Auto Crimp Machine Applicator	CL901-2529-6	AP105-QR/P1-1B-2	QR/P1-PC1B-221 QR/P1-SC1B-221
	CL901-2527-0	AP105-QR/P1-1A-1	QR/P1-PC1A-211 QR/P1-SC1A-211
	CL901-2528-3	AP105-QR/P1-2A-1	QR/P1-PC2A-211
			QR/P1-SC2A-211
Hand Tool	CL250-0019-1	TC-QR/P1-21	