

**Cascadable Amplifier
2000 to 6000 MHz**

RA62/SMRA62

V2

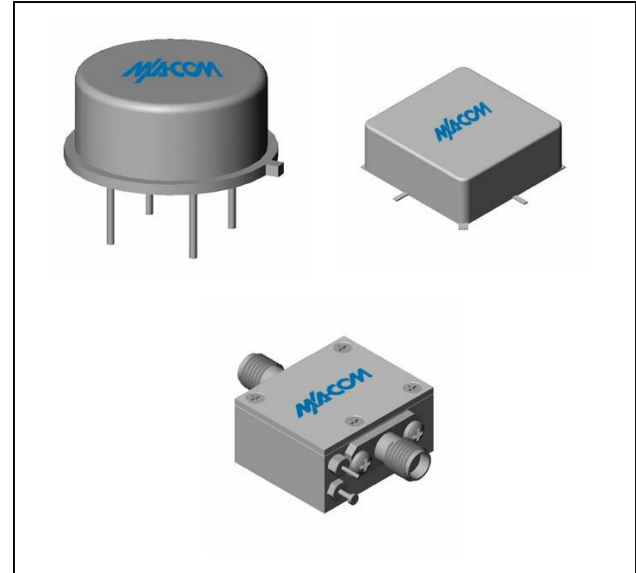
Features

- ULTRAWIDE BANDWIDTH 1.5-6.2 GHz (TYP.)
- MEDIUM GAIN 16 dB (TYP.)
- MEDIUM OUTPUT POWER +13 dBm (TYP.)
- LOW NOISE FIGURE 4 dB (TYP.)

Description

The RA62 RF amplifier is a discrete hybrid design, which uses thin film manufacturing processes for accurate performance and high reliability. This two stage GaAs FET feedback amplifier design displays impressive performance characteristics over a broadband frequency range. Both TO-8 and Surface Mount packages are hermetically sealed, and MIL-STD-883 environmental screening is available.

Product Image



Ordering Information

Part Number	Package
RA62	TO-8
SMRA62	Surface Mount
CRA62	SMA Connectorized

Electrical Specifications: $Z_0 = 50\Omega$, $V_{CC} = +5 V_{DC}$

Parameter	Units	Typical	Guaranteed	
		25°C	0° to 50°C	-54° to +85°C*
Frequency	GHz	1.5-6.2	2.0-6.0	2.0-6.0
Small Signal Gain (min)	dB	16.0	14.0	13.5
Gain Flatness (max)	dB	±0.4	±0.7	±1.0
Reverse Isolation	dB	30		
Noise Figure (max)	dB	4.0	5.0	5.5
Power Output @ 1 dB comp. (min)	dBm	13.0	12.0	11.5
IP3	dBm	+28		
IP2	dBm	+40		
Second Order Harmonic IP	dBm	+45		
VSWR Input / Output (max)		1.5:1 / 1.5:1	1.9:1 / 1.9:1	2.1:1 / 2.1:1
DC Current @ 5 Volts (max)	mA	65	72	74

Absolute Maximum Ratings

Parameter	Absolute Maximum
Storage Temperature	-62°C to +125°C
Case Temperature	125°C
DC Voltage	+6 V
Continuous Input Power	+7 dBm
Short Term Input power (1 minute max.)	100 mW
Peak Power (3 µsec max.)	0.25 W
"S" Series Burn-In Temperature (case)	125°C

Thermal Data: $V_{CC} = +5 V_{DC}$

Parameter	Rating
Thermal Resistance θ_{jc}	92.2°C/W
Transistor Power Dissipation P_d	0.171 W
Junction Temperature Rise Above Case T_{jc}	16°C

* Over temperature performance limits for part number CRA62, guaranteed from 0°C to +50°C only.

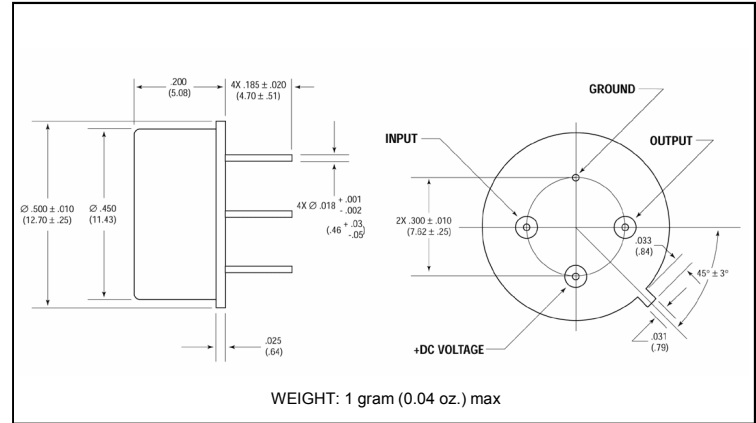
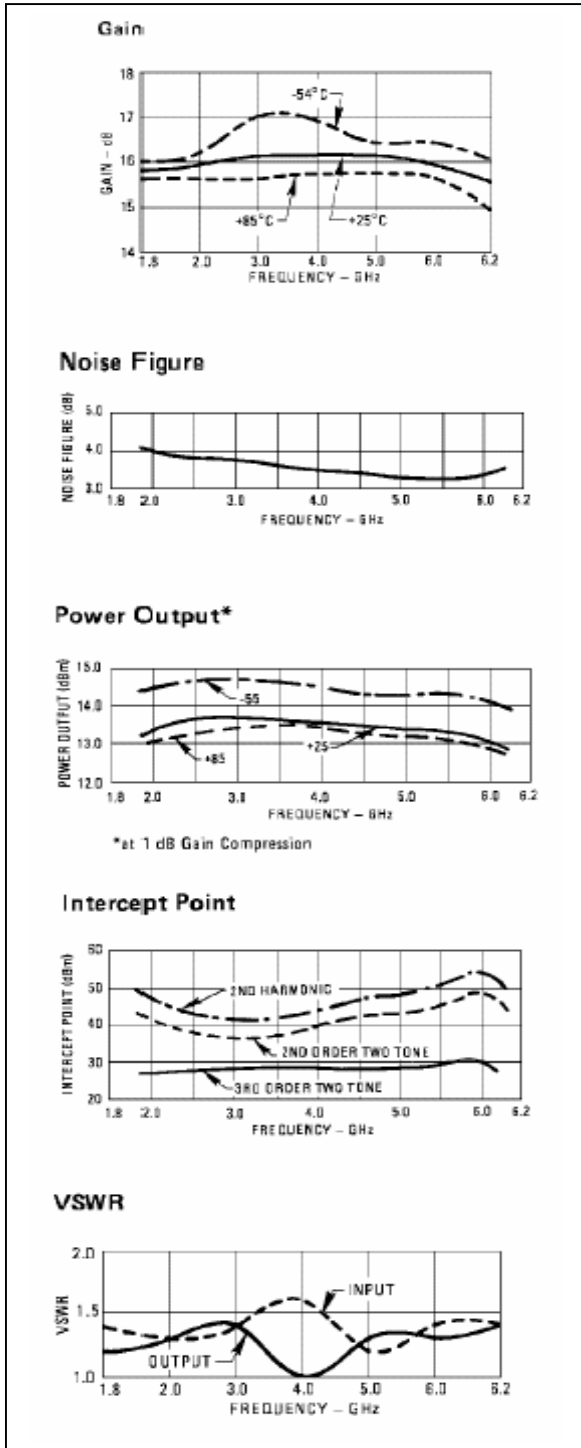
**Cascadable Amplifier
2000 to 6000 MHz**

RA62/SMRA62

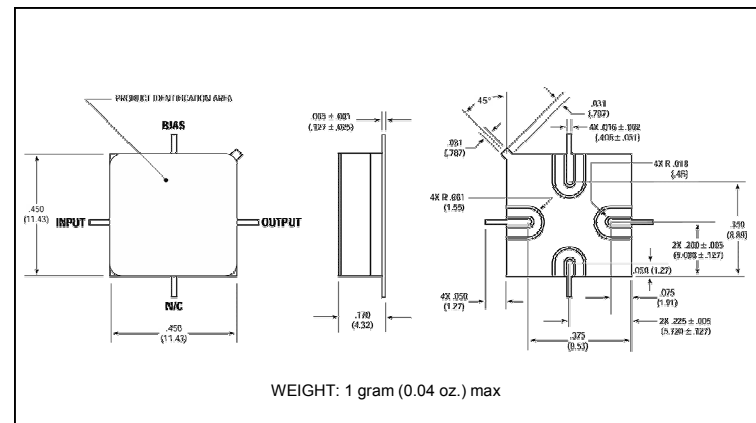
V2

Typical Performance Curves at +25°C

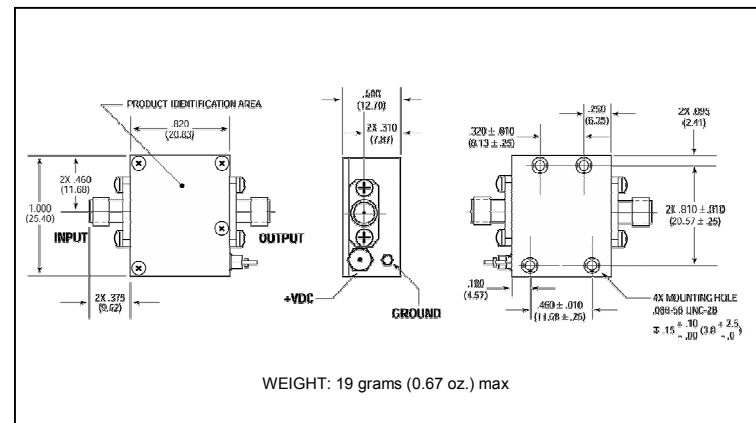
Outline Drawing: TO-8 *



Outline Drawing: Surface Mount *



Outline Drawing: SMA Connectorized *



* Dimensions are inches (millimeters) ±0.015 (0.38) unless otherwise specified.