

Features

Regulated Converters

- Compact AC-DC Power Supply
- 10 Watt PCB Mount Package
- Universal Input Voltage Range
- 3000VAC Isolation
- Low Output Ripple and Noise
- Short Circuit Protected
- UL Approved

Selection Guide

Part Number	Input Range (VAC)	Output Voltage (VDC)	Output Current (mA)	Efficiency (%)
RAC10-3.3SA	90-264	3.3	3000	65
RAC10-05SA	90-264	5	2000	71
RAC10-12SA	90-264	12	833	74
RAC10-15SA	90-264	15	666	71
RAC10-24SA	90-264	24	426	74
RAC10-05DA	90-264	±5	±800	71
RAC10-12DA	90-264	±12	±380	75
RAC10-15DA	90-264	±15	±300	72

* add suffix "-DIN for DIN Rail mounting module (see separate datasheet)

Description

Compact switching power module for PCB or DIN-rail mounting with cUL, UL Safety Approvals.

Specifications

(typical at 25°C, nominal input voltage and after warm up time unless otherwise specified)

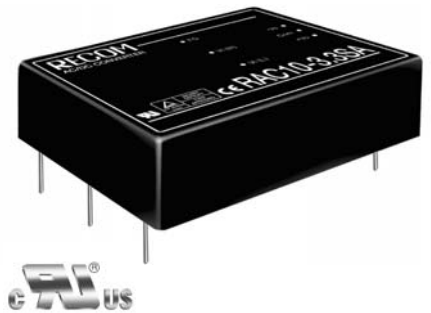
Input Voltage Range	90-264VAC or 120-370VDC
Rated Power	10 Watts max.
Input Frequency Range (for AC Input)	47-440Hz
Input Current (full load)	200mA max. (115VAC) / 130mA max. (230VAC)
Inrush Current (<2ms)	10A max. (115VAC) / 20A max. (230VAC)
Leakage Current	0.75mA max.
Output Voltage Accuracy (Full load)	±2%
Line Voltage Regulation (low line, high line at full load)	±0.3% typ.
Load Voltage Regulation (5% to 100% full load)	±0.5% typ.
Output Ripple and Noise (20MHz limited)	0.5% Vout + 50mVp-p max.
Operating Frequency	100kHz typ.
Efficiency at Full Load	see table
Isolation Voltage (input to output)	3000VAC min.
Temperature Coefficient	±0.02%/°C typ.
Isolation Resistance	100 MΩ min.
Short Circuit Protection	Continuous, Automatic Restart
Operating Temperature Range (free air convection, with derating)	-25°C to +70°C
Storage Temperature Range	-40°C to +85°C
Humidity	95% RH max.
Case Material	Epoxy with Fibreglass (UL94V-0)
Package Weight	100g
	DIN Rail Module 180g
MTBF (+25°C)	using MIL-HDBK-217F 250 x 10 ³ hours

POWERLINE

AC/DC-Converter

RAC10-S_DA Series

10 Watt Single & Dual Output

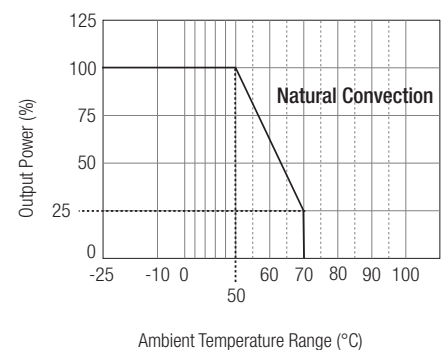


UL-60950 Certified

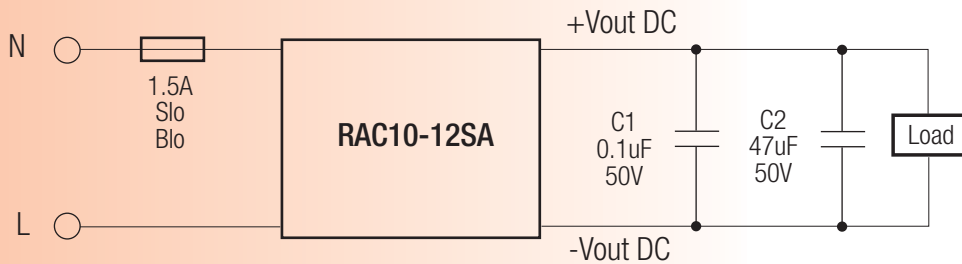
RECOM

Derating Graph

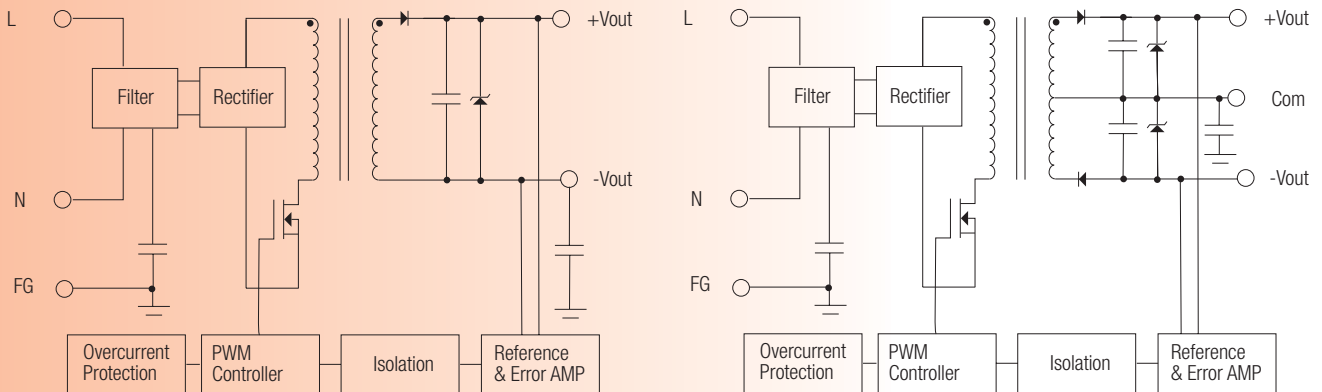
(Ambient Temperature)



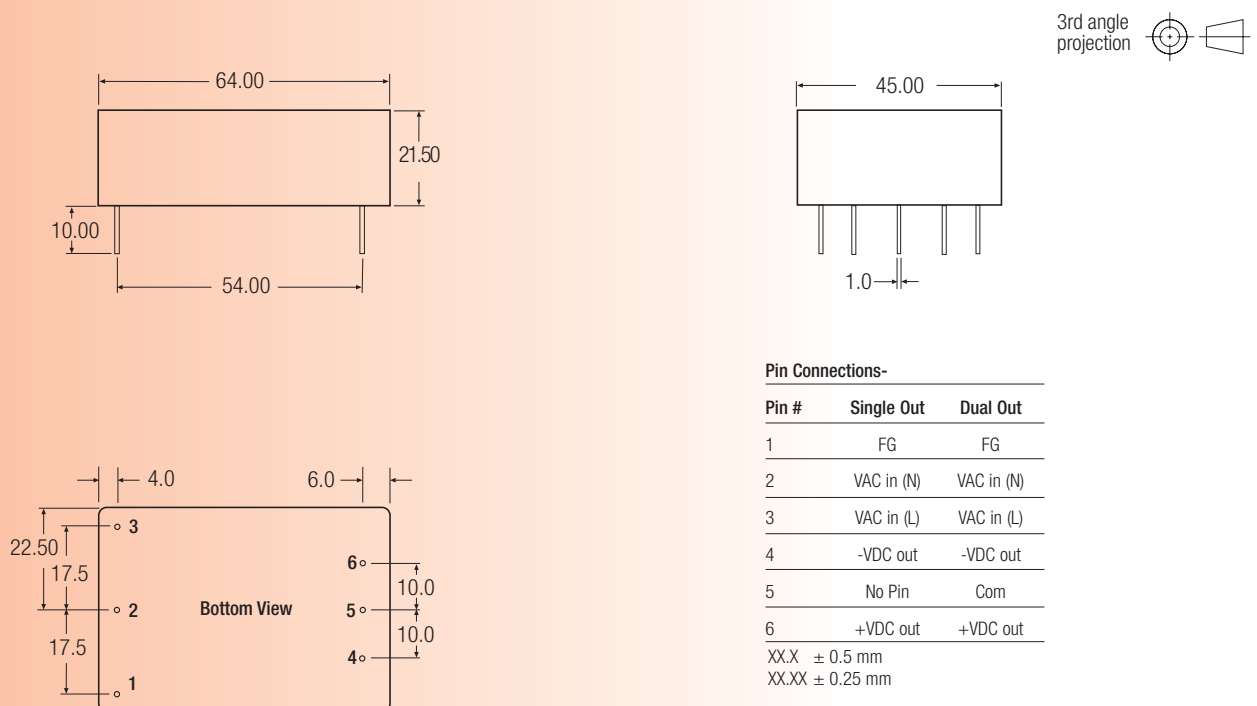
Typical Application



Simplified Schematics



Package Style and Pinning



See DIN Rail Modules for DIN rail mounting option