

# SMD Schottky Barrier Diode



## RB521G30-G (RoHS Device)

**Reverse Voltage: 30 Volts**

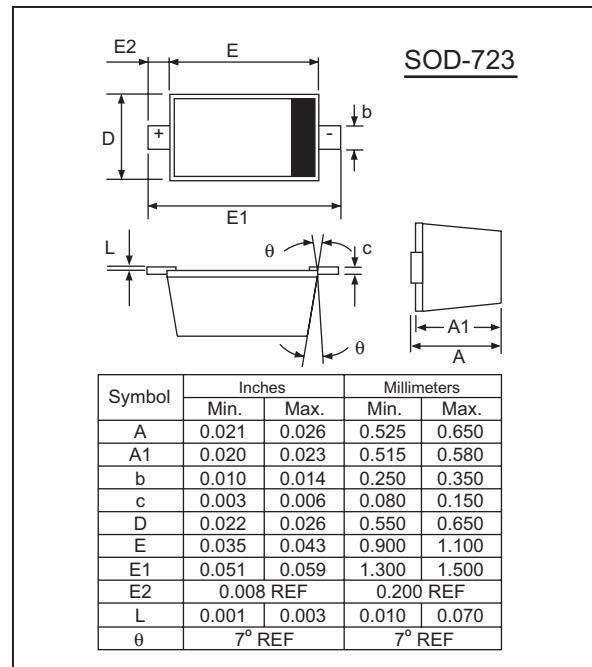
**Forward Current: 100 mA**

### Features:

- Small Surface Mounting Type
- High Reliability

### Mechanical Data:

- Case: Molded plastic SOD-723
- Terminals: Solderable per MIL-STD-750, Method 2026.1.
- Polarity: Indicated by cathode band.
- Mounting position: Any.
- Marking: F



### Maximum Ratings (at T<sub>A</sub>=25°C unless otherwise specified)

Parameter	Symbol	Limits	Unit
DC reverse voltage	V <sub>R</sub>	30	V
Mean rectifying current	I <sub>O</sub>	100	mA
Peak forward surge current	I <sub>FSM</sub>	1	A
Junction temperature	T <sub>J</sub>	125	°C
Storage temperature	T <sub>stg</sub>	-40~+125	°C

### Electrical Ratings (at T<sub>A</sub>=25°C unless otherwise specified)

Parameter	Symbol	Min.	Typ.	Max.	Unit	Conditions
Forward voltage	V <sub>F</sub>			0.35	V	I <sub>F</sub> =10mA
Reverse current	I <sub>R</sub>			10	μA	V <sub>R</sub> =10V



## RB521G30-G (RoHS Device)

### Electrical Characteristic Curves (RB521G30-G)

Fig. 1 Forward Characteristics

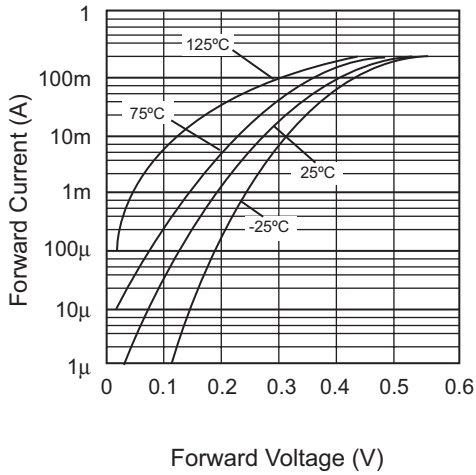


Fig. 2 Reverse Characteristics

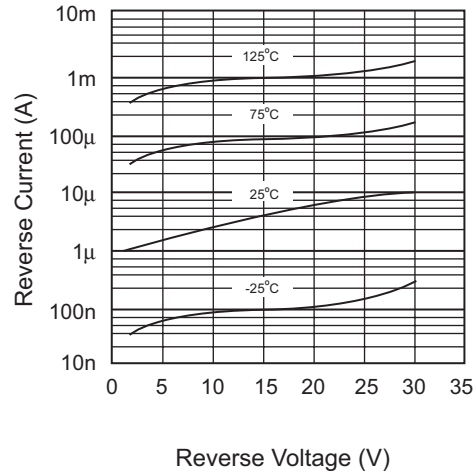


Fig. 3 Capacitance between Characteristics

