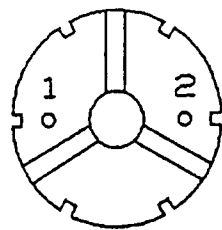
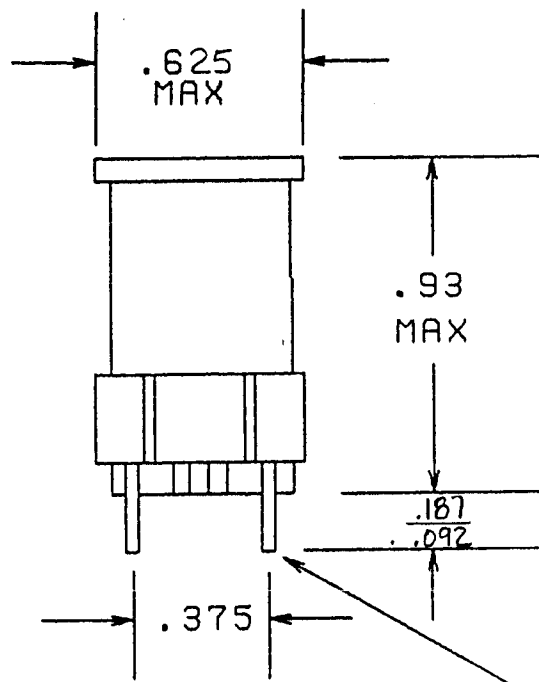


TOLERANCE UNLESS SPECIFIED = .XXX = +/- .005 | .XX = +/- .015 | FRACTIONS = +/- .032

PRODUCTION TESTS



.032" DIAMETER ROUND PINS
 PINS TO BE FREE OF DEBRIS/
 SOLDER JOINTS UP TO THE MOUNTING
 SURFACE MIN.

URNS RATIO = 100%

DC RESISTANCE IN OHMS
 3.31 TO 4.48

APPLY = 1V, 20KHZ, 0 ADC

INDUCTANCE = 3.51 TO 4.29 MHY

HIPOT = NONE REQUIRED

IMPREGNATION NOTES = NO PREHEAT
 NO IMPREGNATION REQUIRED

FINAL ASSEMBLY NOTES

MagneTek

PART NO. RC-2

METHOD

MARKING ON OUR PART #, DATECODE, SITECODE LABEL ON COIL