

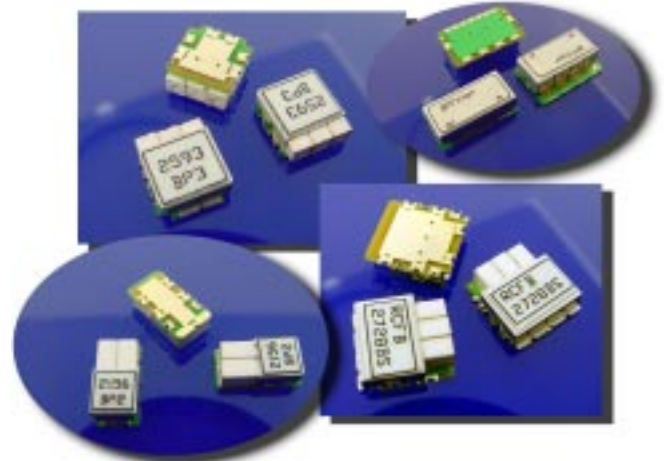
● Applications

- Satellite Receivers-Down Converters
- Global Positioning Systems
- Wireless LAN Equipment
- Cellular and Cordless Phones

● Features

- Wide Frequency Range of 600 to 2500 MHz
- High Q Resonator
- Excellent Temperature Stability and Attenuation
- Low Insertion Loss
- Custom Designs for Application Specific Products

RCFand RDX Series

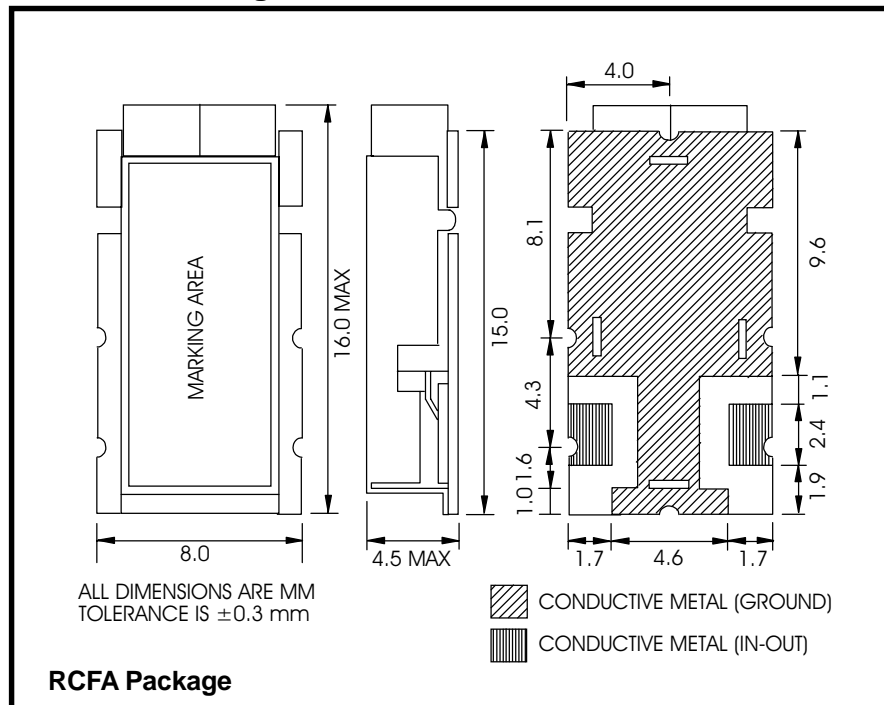


● Specifications

2 Pole Bandpass Filter

| Part Number | Center Frequency | Bandwidth | Insertion Loss | Ripple (Max) | V.S.W.R (Max) | Attenuation (Min) |
|---------------|------------------|--------------------|----------------|--------------|---------------|----------------------------|
| RCFA1-836BP2 | 836.5 MHz | $F_0 \pm 12.5$ MHz | 2.2 dB | 0.8 dB | 2 | 5 dB at $F_0 \pm 32.5$ MHz |
| RCFA1-881BP2 | 881.5 MHz | | | | | |
| RCFA1-841BP2 | 841.0 MHz | $F_0 \pm 2.0$ MHz | 2.5 dB | 0.3 dB | 2 | 22 dB at $F_0 \pm 70$ MHz |
| RCFA1-866BP2 | 866.0 MHz | | | | | |
| RCFA1-948BP2 | 948.0 MHz | $F_0 \pm 4.0$ MHz | 2.5 dB | 0.5 dB | 2 | 6 dB at $F_0 \pm 32.5$ MHz |
| RCFA1-902BP2 | 902.5 MHz | $F_0 \pm 12.5$ MHz | 2.2 dB | 0.8 dB | 2 | |
| RCFA1-947BP2 | 947.5 MHz | | | | | |
| RCFA1-915BP2 | 915.0 MHz | $F_0 \pm 13.0$ MHz | 2.3 dB | 1.0 dB | 2.5 | 18 dB at $F_0 \pm 80$ MHz |
| RCFA1-1575BP2 | 1575.5 MHz | $F_0 \pm 1.0$ MHz | 3.0 dB | 0.5 dB | 2 | 18 dB at $F_0 \pm 50$ MHz |
| RCFA1-1890BP2 | 1890.0 MHz | $F_0 \pm 10.0$ MHz | 1.8 dB | 0.5 dB | 2 | 16 dB at $F_0 \pm 160$ MHz |

● Outline Drawing



● Typical Applications for RCFA Series

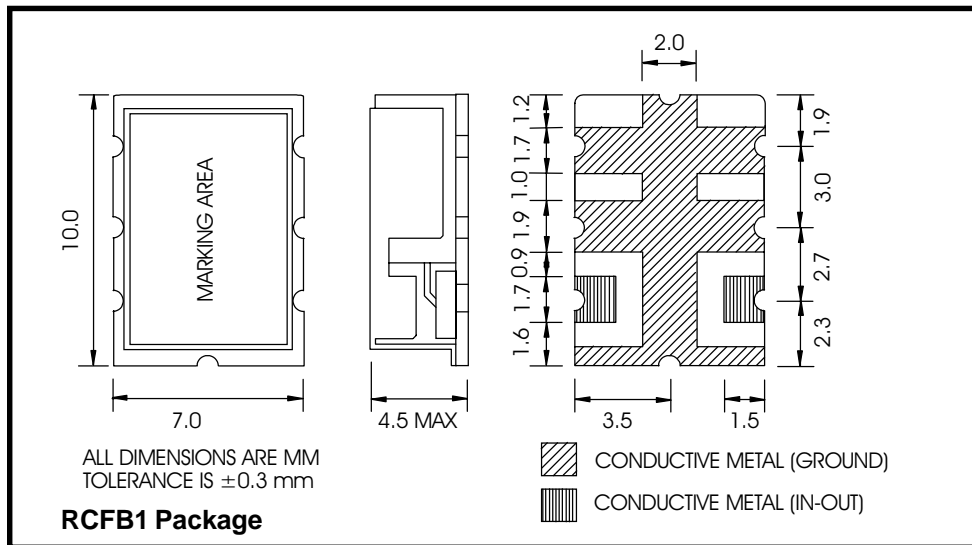
- E-Amps
- CT-2
- GSM
- ISM915

● Specifications

3 Pole Bandpass Filter

| Part Number | Center Frequency | Bandwidth | Insertion Loss (Max) | Ripple (Max) | V.S.W.R (Max) | Attenuation (Min) |
|--------------|------------------|--------------------|----------------------|--------------|---------------|----------------------------|
| RCFB1-815BP3 | 815.0 MHz | $F_0 \pm 10.0$ MHz | 2.8 dB | 0.8 dB | 2 | 36 dB @ $F_0 \pm 80$ MHz |
| RCFB1-860BP3 | 860.0 MHz | | | | | |
| RCFB1-836BP3 | 836.5 MHz | $F_0 \pm 12.5$ MHz | 3.0 dB | 1.0 dB | 2 | 12 dB @ $F_0 \pm 32.5$ MHz |
| RCFB1-881BP3 | 881.5 MHz | | | | | |
| RCFB1-841BP3 | 841.0 MHz | $F_0 \pm 2.0$ MHz | 3.0 dB | 0.3 dB | 2 | 44 dB @ $F_0 \pm 75$ MHz |
| RCFB1-866BP3 | 866.0 MHz | | | | | |
| RCFB1-948BP3 | 948.0 MHz | $F_0 \pm 4.0$ MHz | 3.0 dB | 0.5 dB | 2 | 32 dB @ $F_0 \pm 50$ MHz |

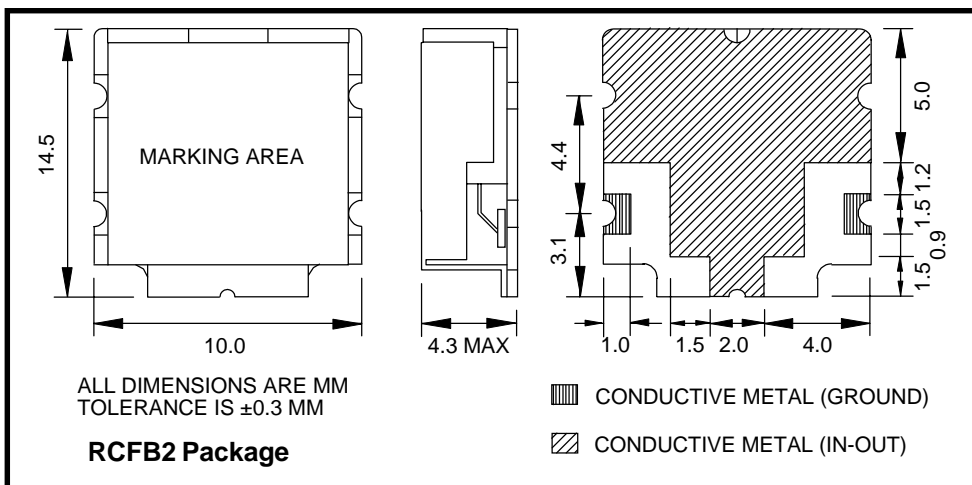
● Outline Drawings



● Applications for RCFB1

LMR
E-Amps
CT-2

| Part Number | Center Frequency | Bandwidth | Insertion Loss (Max) | Ripple (Max) | V.S.W.R (Max) | Attenuation (Min) |
|--------------|------------------|--------------------|----------------------|--------------|---------------|----------------------------|
| RCFB2-888BP3 | 888.5 MHz | $F_0 \pm 16.5$ MHz | 3.0 dB | 1.3 dB | 2 | 7 dB @ $F_0 \pm 28.5$ MHz |
| RCFB2-933BP3 | 933.5 MHz | | | | | |
| RCFB2-902BP3 | 902.5 MHz | $F_0 \pm 12.5$ MHz | 2.6 dB | 1.0 dB | 2 | 12 dB @ $F_0 \pm 32.5$ MHz |
| RCFB2-947BP3 | 947.5 MHz | | | | | |
| RCFB2-915BP3 | 915.5 MHz | $F_0 \pm 13.0$ MHz | 3.0 dB | 1.0 dB | 2 | 12 dB @ $F_0 \pm 32.5$ MHz |
| RCFB2-897BP3 | 897.5 MHz | | | | | |
| RCFB2-942BP3 | 942.5 MHz | $F_0 \pm 17.5$ MHz | 3.0 dB | 1.3 dB | 2 | 6 dB @ $F_0 \pm 28.5$ MHz |



● Applications for RCFB2

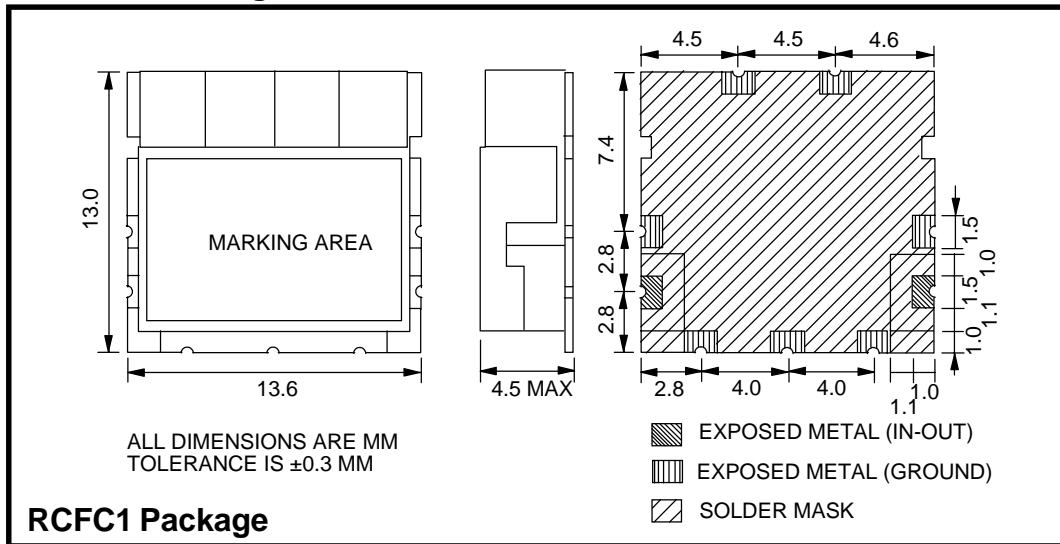
GSM
E-TACS
ISM915
E-GSM

● Specifications

4 Pole Bandpass Filter

| Part Number | Center Frequency | Bandwidth | Insertion Loss (Max) | Ripple (Max) | V.S.W.R (Max) | Attenuation (Min) |
|---------------|------------------|--------------------|----------------------|--------------|---------------|--------------------------|
| RCFC1-1930BP4 | 1930.0 MHz | $F_0 \pm 10.0$ MHz | 4.5 dB | 0.8 dB | 2 | 40 dB @ $F_0 \pm 70$ MHz |
| RCFC1-2120BP4 | 2120.0 MHz | | | | | |
| RCFC1-2315BP4 | 2315.0 MHz | $F_0 \pm 15.0$ MHz | 4.5 dB | 1.0 dB | 1.8 | 40 dB @ $F_0 \pm 90$ MHz |
| RCFC1-2385BP4 | 2385.0 MHz | | | | | |

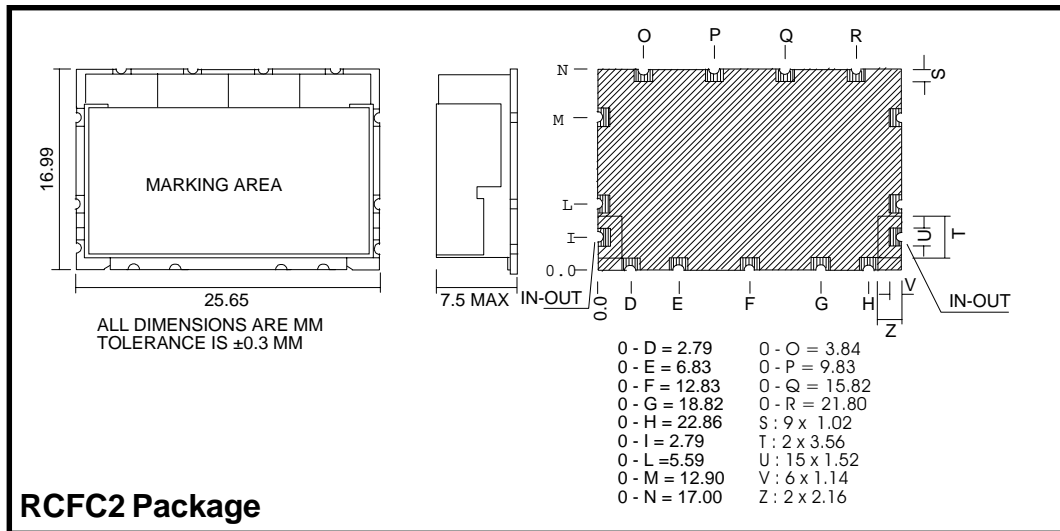
● Outline Drawings



● Applications for RCFC1

IMT-2000
WLL

| Part Number | Center Frequency | Bandwidth | Insertion Loss (Max) | Ripple (Max) | V.S.W.R (Max) | Attenuation (Min) |
|--------------|------------------|--------------------|----------------------|--------------|---------------|----------------------------|
| RCFC2-813BP4 | 813.0 MHz | $F_0 \pm 5$ MHz | 3.5 dB | 0.5 dB | 2 | 30 dB @ $F_0 \pm 40$ MHz |
| RCFC2-813BP4 | 836.5 MHz | $F_0 \pm 12.5$ MHz | 3.0 dB | 0.8 dB | 2 | 20 dB @ $F_0 \pm 32.5$ MHz |
| RCFC2-813BP4 | 881.5 MHz | | | | | |



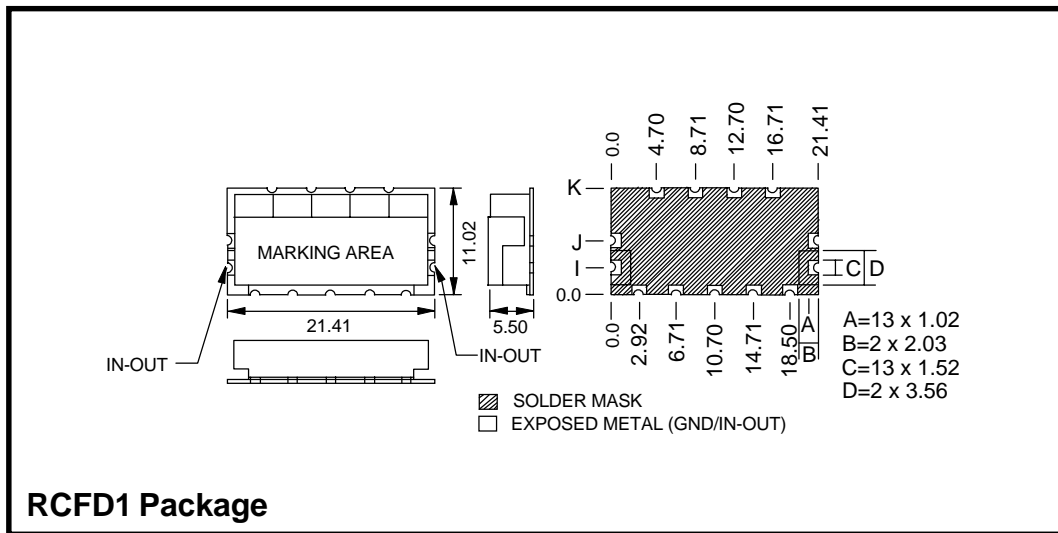
● Applications for RCFC2

TRS
AMPS

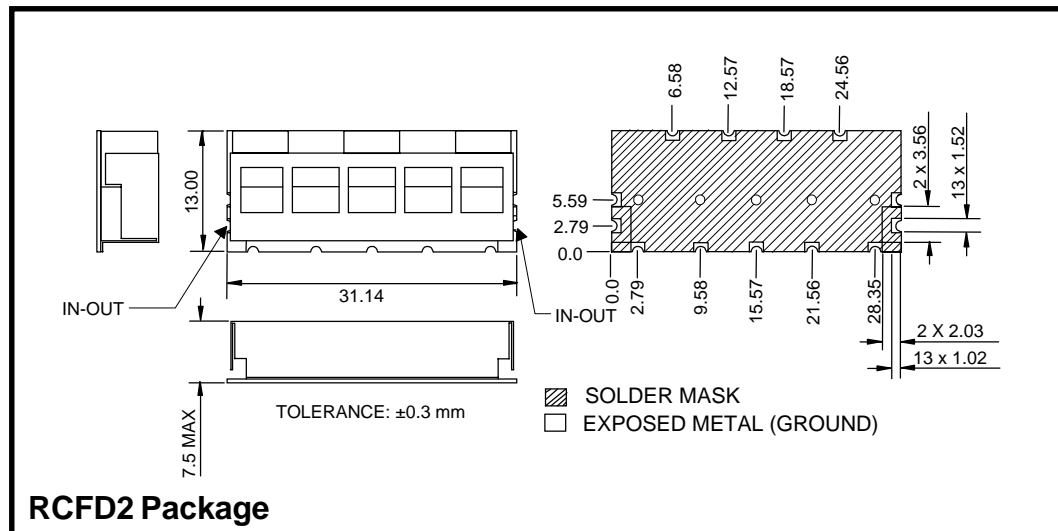
● Specifications 5 Pole Bandpass Filter

| Part Number | Center Frequency | Bandwidth | Insertion Loss (Max) | Ripple (Max) | V.S.W.R (Max) | Attenuation (Min) |
|---------------|------------------|--------------------|----------------------|--------------|---------------|----------------------------|
| RCFD1-1310BP5 | 1310.0 MHz | $F_0 \pm 17.5$ MHz | 4.1 dB | 1.6 dB | 2 | 12 dB @ $F_0 \pm 28$ MHz |
| RCFD1-1950BP5 | 1950.0 MHz | $F_0 \pm 30.0$ MHz | 3.0 dB | 1.0 dB | 1.5 | 40 dB @ 2070 MHz |
| RCFD1-2140BP5 | 2140.0 MHz | | | | | 40 dB @ 2260 MHz |
| RCFD1-2800BP5 | 2800.0 MHz | $F_0 \pm 1000$ MHz | 3.0 dB | 1.6 dB | 2 | 60 dB @ $F_0 \pm 1000$ MHz |
| RCFD1-836BP5 | 836.5 MHz | $F_0 \pm 12.5$ MHz | 3.0 dB | 1.0 dB | 2 | 28 dB @ $F_0 \pm 32.5$ MHz |
| RCFD1-881BP5 | 881.5 MHz | | | | | |
| RCFD1-808BP5 | 808.0 MHz | $F_0 \pm 5.0$ MHz | 4.5 dB | 1.0 dB | 2 | 50 dB @ $F_0 \pm 45$ MHz |
| RCFD1-852BP5 | 852.0 MHz | | | | | |
| RCFD1-1690BP5 | 1690.0 MHz | $F_0 \pm 25.0$ MHz | 4.0 dB | 1.0 dB | 2 | 50 dB @ $F_0 \pm 140$ MHz |
| RCFD1-1972BP5 | 1972.0 MHz | $F_0 \pm 2.5$ MHz | 5.0 dB | 0.5 dB | 2 | 25 dB @ $F_0 \pm 32.5$ MHz |

● Outline Drawings



- Applications for RCFD1/D2
- RADIO LINK
- IMT- 2000
- LAN
- AMPS
- TRS

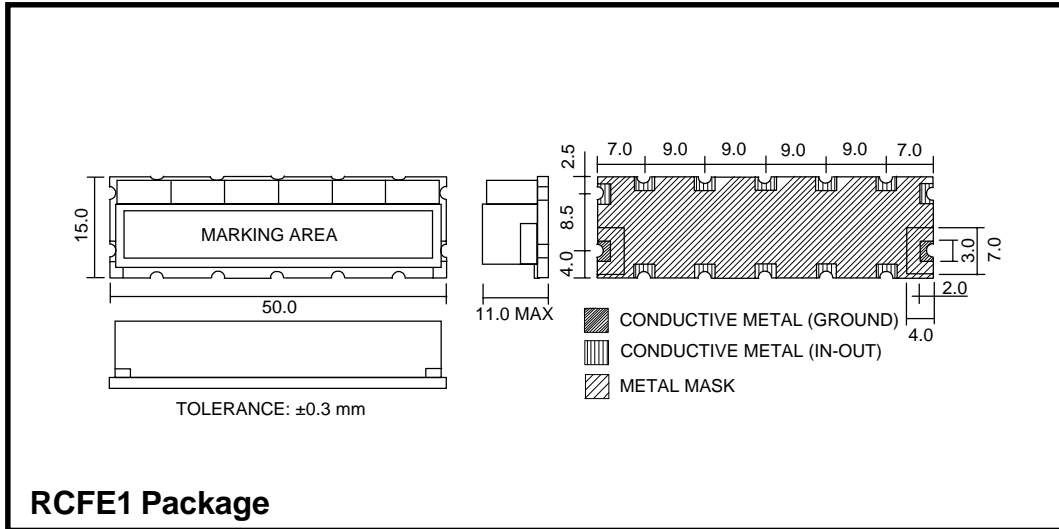


Specifications for the RCFD1 package are also available for the RCFD2 Package.
Other specifications are available in these packages.

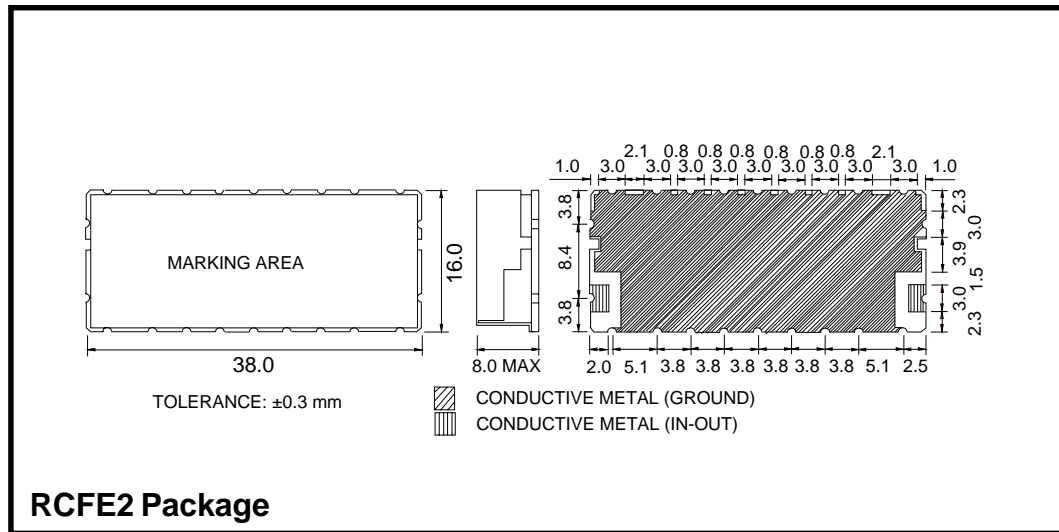
- Specifications
- 6 Pole Bandpass Filter

| Part Number | Center Frequency | Bandwidth | Insertion Loss (Max) | Ripple (Max) | V.S.W.R (Max) | Attenuation (Min) |
|---------------|------------------|--------------------|----------------------|--------------|---------------|----------------------------|
| RCFE1-2332BP6 | 1030.0 MHz | $F_0 \pm 4.5$ MHz | 5.0 dB | 0.8 dB | 2 | 45 dB @ $F_0 \pm 25.0$ MHz |
| RCFE1-1030BP6 | 2332.5 MHz | $F_0 \pm 27.5$ MHz | 3.0 dB | 1.0 dB | 2 | 23 dB @ $F_0 \pm 57.5$ MHz |

- Outline Drawings



- Applications for RCFE1/E2
- Satellite Link
- IMT-2000

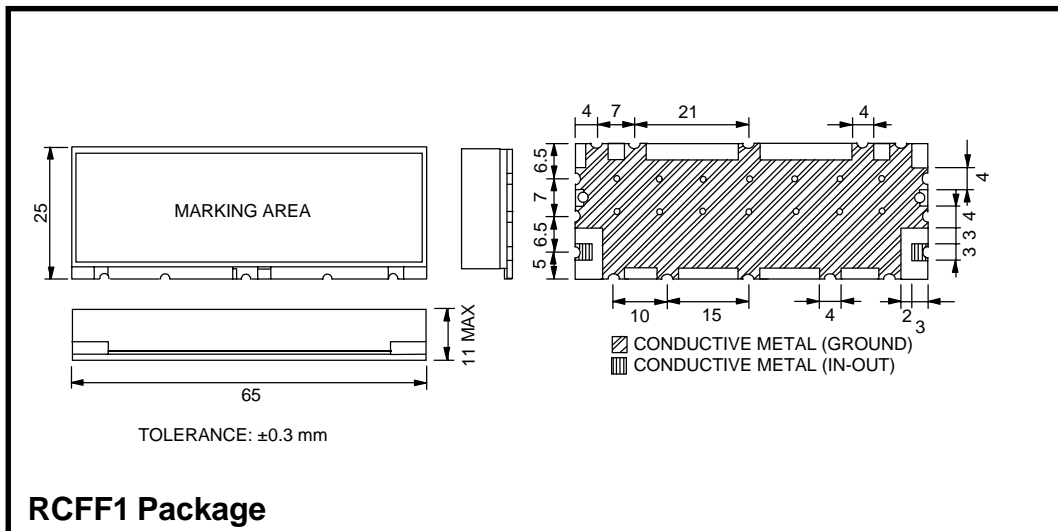


Specifications for the RCFE1 package are also available for the RCFE2 Package. Other specifications are available in these packages.

● Specifications 8 Pole Bandpass Filter

| Part Number | Center Frequency | Bandwidth | Insertion Loss (Max) | Ripple (Max) | V.S.W.R (Max) | Attenuation (Min) |
|--------------|------------------|--------------------|----------------------|--------------|---------------|----------------------------|
| RCFF1-645BP8 | 645.0 MHz | $F_0 \pm 5.0$ MHz | 5.0 dB | 0.5 dB | 2 | 70 dB @ $F_0 \pm 70$ MHz |
| RCFF1-675BP8 | 675.0 MHz | | | | | |
| RCFF1-735BP8 | 735.0 MHz | | | | | |
| RCFF1-765BP8 | 765.0 MHz | | | | | |
| RCFF1-795BP8 | 795.0 MHz | | | | | |
| RCFF1-836BP8 | 836.5 MHz | $F_0 \pm 12.5$ MHz | 5.5 dB | 2.0 dB | 2 | 70 dB @ $F_0 \pm 42.5$ MHz |
| RCFF1-847BP8 | 847.14 MHz | $F_0 \pm 1.85$ MHz | 20.0 dB | 2.2 dB | 2 | 20 dB @ $F_0 \pm 5$ MHz |
| RCFF1-892BP8 | 892.14 MHz | | | | | |
| RCFF1-902BP8 | 902.5 MHz | $F_0 \pm 12.5$ MHz | 5.5 dB | 1.5 dB | 2 | 60 dB @ $F_0 \pm 44.5$ MHz |
| RCFF1-911BP8 | 911.5 MHz | | 15.0 dB | 3.5 dB | 2 | 70 dB |

● Outline Drawing



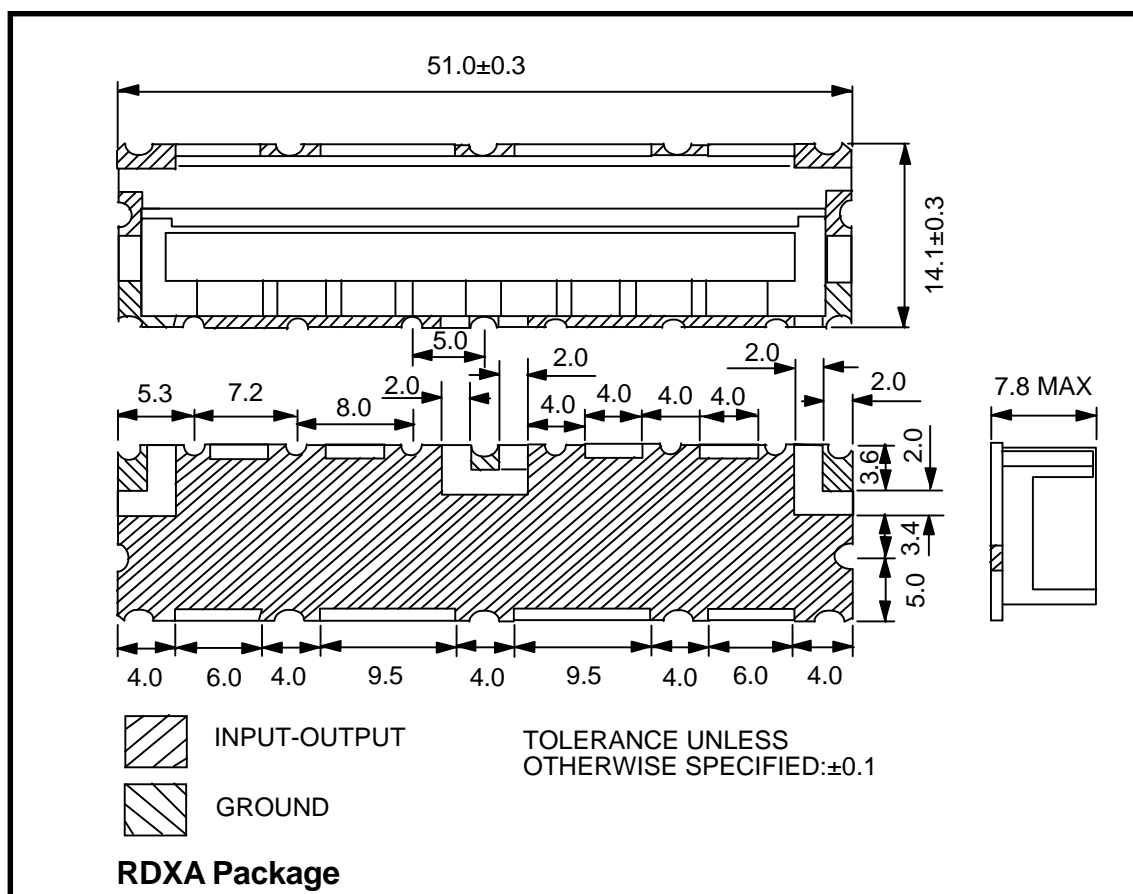
Other specifications are available in the RCFF1 package.

Specifications

Duplexers

| Part Number | | Center Frequency | Bandwidth | Insertion Loss | Ripple (Max) | V.S.W.R (Max) | Attenuation (Min) |
|-------------------|----|------------------|-------------|----------------|--------------|---------------|----------------------|
| RDXA-R2180-T1690A | Tx | 1690 MHz | Fo±32.5 MHz | 1.5 dB | 0.5 dB | 1.5 | 50 dB at 1718 MHz |
| | Rx | 2180 MHz | | 2.0 dB | 0.5 dB | 1.5 | 50 dB at 2152 MHz |
| RDXA-R1855-T1765A | Tx | 1765 MHz | Fo±15.0 MHz | 1.7 dB | 1.0 dB | 1.5 | 42 dB at Fr±15 MHz |
| | Rx | 1855 MHz | | 2.5 dB | 1.0 dB | 1.5 | 43 dB at Fr±15 MHz |
| RDXA-R2385-T2315A | Tx | 2315 MHz | Fo±15.0 MHz | 1.5 dB | 1.0 dB | 1.5 | 45 dB at Fr±15 MHz |
| | Rx | 2385 MHz | | 2.5 dB | 1.0 dB | 1.5 | 50 dB at Fr±15 MHz |
| RDXA-R947-T902A | Tx | 902.5 MHz | Fo±12.5 MHz | 2.5 dB | 0.8 dB | 1.5 | 48 dB at Fr±12.5 MHz |
| | Rx | 947.5 MHz | | 3.0 dB | 0.8 dB | 1.5 | 48 dB at Fr±12.5 MHz |
| RDXA-R2140-T1950A | Tx | 1950 MHz | Fo±30.0 MHz | 2.0 dB | 0.5 dB | 1.5 | 50 dB at Fr±15 MHz |
| | Rx | 2140 MHz | | 2.0 dB | 1.0 dB | 1.5 | 50 dB at Fr±15 MHz |
| RDXA-R858-T813A | Tx | 813 MHz | Fo±5.0 MHz | 2.0 dB | 0.8 dB | 1.5 | 50 dB at Fr±0.05 MHz |
| | Rx | 858 MHz | | 2.0 dB | 0.8 dB | 1.5 | 50 dB at Fr±5.0 MHz |
| RDXA-R881-T836A | Tx | 836.5 MHz | Fo±12.5 MHz | 2.0 dB | 0.8 dB | 1.5 | 50 dB at Fr±12.5 MHz |
| | Rx | 881.5 MHz | | 2.3 dB | 0.8 dB | 1.5 | 50 dB at Fr±15 MHz |
| RDXA-R1855-T1765A | Tx | 1765 MHz | Fo±15.0 MHz | 2.0 dB | 0.8 dB | 1.5 | 55 dB at Fr±15 MHz |
| | Rx | 1855 MHz | | 2.0 dB | 0.8 dB | 1.5 | 55 dB at Fr±15 MHz |

Outline Drawing



Other specifications are available in the RDXA package.
Also other duplexer package types are available.