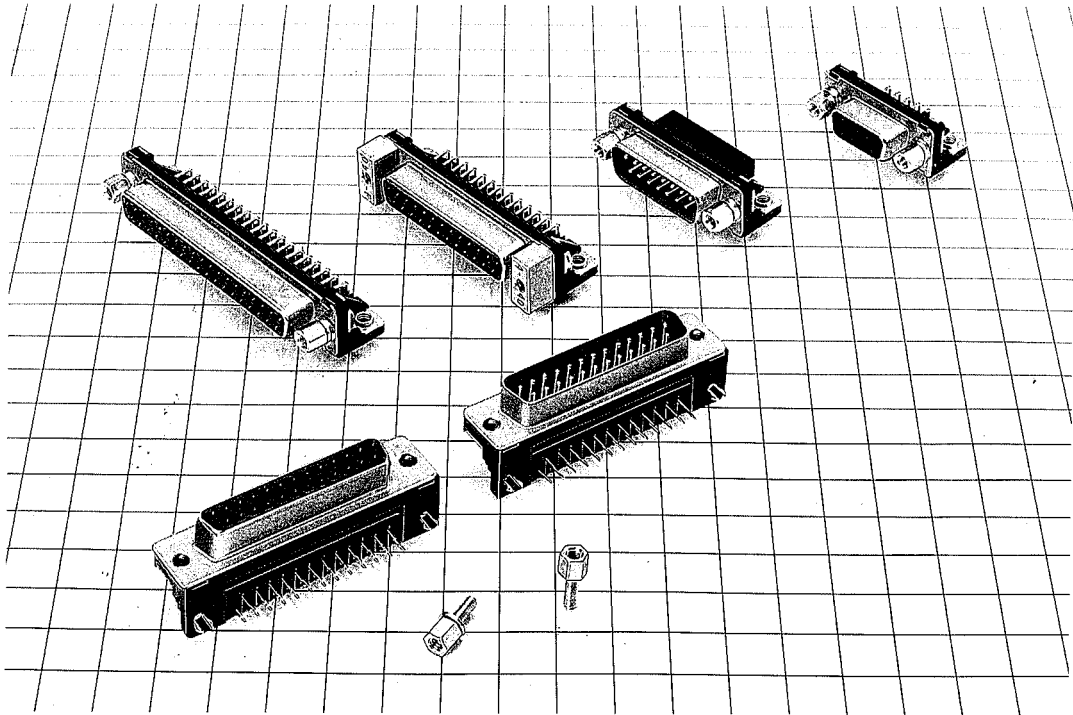


RD***D** SERIES RIGHT-ANGLE TYPE CONNECTORS

General

The RD***D** Series use a molded one-piece design for parallel mounting on a PCB. Designed to be directly connected to the circuits in PCBs, the RD***D** Series is

suitable for labor-saving in connection work and enhancing the reliability of wiring. 9, 15, 25, and 37-contact models available.



Features

- (1) Compact and sturdy due to a metal shell.
- (2) Simple construction of RD type single mold.
- (3) Offers direct parallel mounting on PCBs in high density and easily connectable to a cable plug.
- (4) Saves plating contact with gold and PCB-contacting parts with solder.
- (5) A wide variety of combinations available, such as dip soldering (HD), crimping (CD), and ribbon IDC termination (FD).
- (6) Uses insulation of highly heat-resistant and chemical-resistant UL synthetic resin.
- (7) Meets your application requirements with a variety of accessories.

Applications

Most suitable for modems in communications equipment such as computers, peripherals and terminals,

control equipment, measuring instruments, and export equipment.

Electrical and Environmental

| Electrical and Environmental Characteristics | |
|--|----------------------------|
| Current capacity | 3A |
| Rated voltage | AC350V |
| Insulation resistance | 5000MΩ or higher at DC500V |
| Contact resistance | 25m Ω or less at AC100mA |
| Withstand voltage | 1 minute at AC1250Vrms |

| Material and finish | | |
|---------------------|-----------------|---|
| Shell | Steel | Treatment with dichromate over zinc plating |
| | | Zinc, Nickel or Tin plating |
| | | Solder plating |
| Insulator | PBT ※ | Black |
| Contacts | Phosphor bronze | Nickel plating + Gold plating Partly gold-plated over solder plating |

※UL94V-0

Ordering Informations

● Lock-free Type

RD B D — 25 S (4-40)
 (1) (2) (3) (4) (5) (9)

- (1) Model number symbol RD: D sublight-angle type
- (2) Shell size: E, A, B and C
- (3) Serial symbol by type of connector unit: D
- (4) Number of poles: 9, 15, 25 and 37
- (5) Terminal opening shape symbol

● Type with rectangular bracket to secure lock

RD B D — 25 S A-LN(4-40)
 (1) (2) (3) (4) (5) (6) (7)

- (6) Substrate Mounting Configuration (grounding hardware configuration)
 No symbol: M3×0.5
 A: φ 3×3.2 pierced hole
 E: With simple lock pin to tack substrate (1.6-mm thick)
 E1/M2.6: locker-recipient screw M2.6 with simple lock pin to tack substrate (1.6-mm thick)

● Type with hexagon bracket to secure lock

RD B D — 25 S A-LNA(4-40) (05)
 (1) (2) (3) (4) (5) (6) (7) (8)

- (7) Lock Nuts
 Rectangular { LN: M2.6×0.45
 LN(4-40): No.4-40 UNC
 Hexagonal { LNA: M2.6×0.45
 LNA(4-40):No.4-40UNC

● Lock retrofitting Type

RD B D — 25 S E1/M2.6 (05)
 (1) (2) (3) (4) (5) (6) (8)

- (8) No symbol: Treated with dichromate after galvanization
 (05): Nickel-plated shell
- (9) Type of mounting screws
 No symbol: M2.6×0.45
 (4-40):No.4-40 UNC

Standard/No Insert



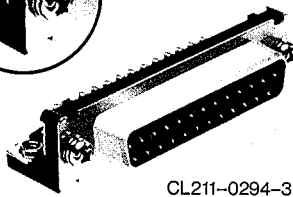
Metric thread



4-40 thread

Dimensions

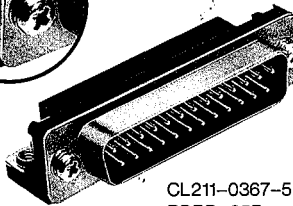
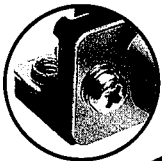
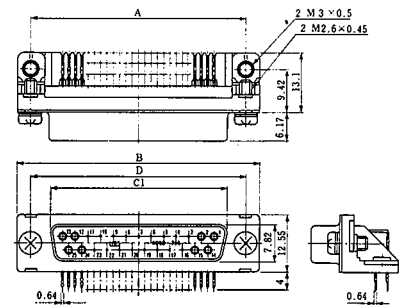
| No. of Pin | A | B | C ₁ | C ₂ | D | E |
|------------|-------|-------|----------------|----------------|-------|------|
| 9 | 24.99 | 30.81 | 16.4 | 16.9 | 24.99 | 8.34 |
| 15 | 33.32 | 39.14 | 24.59 | 25.24 | 33.32 | 8.34 |
| 25 | 47.04 | 53.04 | 38.3 | 39.01 | 47.04 | 8.4 |
| 37 | 63.5 | 69.32 | 54.76 | — | 63.5 | — |



CL211-0294-3
RDBD-25S

Panel-mounting threaded holes: M2.6 × 0.45 (metric)
Ground terminal (PCB-mounting): M3 × 0.5

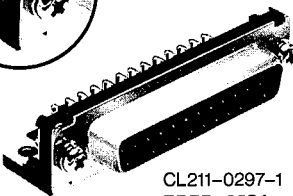
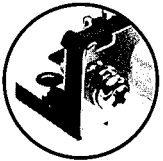
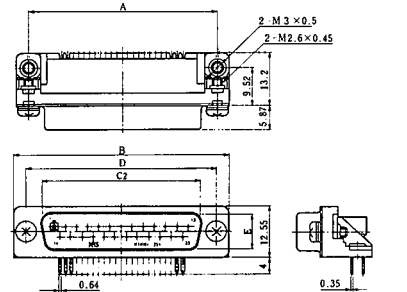
| HRS No. | No. of Pin | Part No. |
|-----------------|------------|--------------|
| CL211-0312-3 | 9 | RDED-9S |
| CL211-0312-3-05 | | RDED-9S(05) |
| CL211-0315-1 | 15 | RDAD-15S |
| CL211-0315-1-05 | | RDAD-15S(05) |
| CL211-0294-3 | 25 | RDBD-25S |
| CL211-0294-3-05 | | RDBD-25S(05) |
| CL211-0318-0 | 37 | RDCD-37S |



CL211-0367-5
RDBD-25P

Panel-mounting threaded holes: M2.6 × 0.45 (metric)
Ground terminal (PCB-mounting): M3 × 0.5

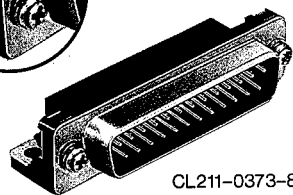
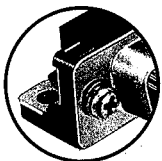
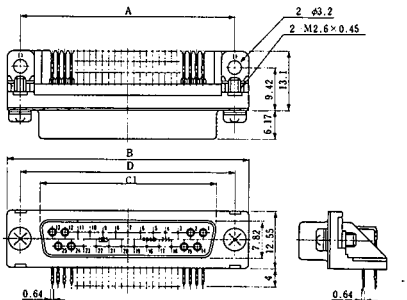
| HRS No. | No. of Pin | Part No. |
|-----------------|------------|--------------|
| CL211-0475-8 | 9 | RDED-9P |
| CL211-0475-8-05 | | RDED-9P(05) |
| CL211-0496-8 | 15 | RDAD-15P |
| CL211-0496-8-05 | | RDAD-15P(05) |
| CL211-0367-5 | 25 | RDBD-25P |



CL211-0297-1
RDBD-25SA

Panel-mounting threaded holes: M2.6 × 0.45 (metric)
Ground terminal (PCB-mounting): Through-holes

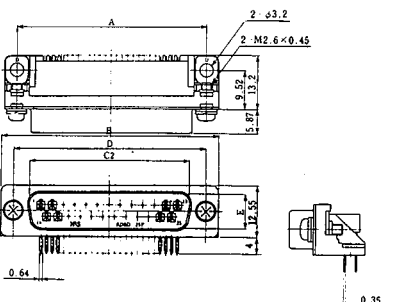
| HRS No. | No. of Pin | Part No. |
|-----------------|------------|---------------|
| CL211-0412-8 | 9 | RDED-9SA |
| CL211-0413-0 | 15 | RDAD-15SA |
| CL211-0413-0-05 | | RDAD-15SA(05) |
| CL211-0297-1 | 25 | RDBD-25SA |

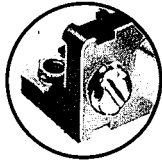


CL211-0373-8
RDBD-25PA

Panel-mounting threaded holes: M2.6 × 0.45 (metric)
Ground terminal (PCB-mounting): Through-holes

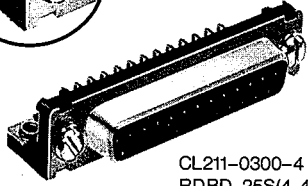
| HRS No. | No. of Pin | Part No. |
|-----------------|------------|---------------|
| CL211-0502-9 | 15 | RDAD-15PA |
| CL211-0373-8 | 25 | RDBD-25PA |
| CL211-0373-8-05 | | RDBD-25PA(05) |



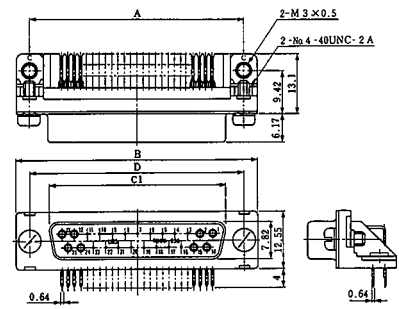


Panel-mounting threaded holes: No. 4 - 40 UNC (inch)
 Ground terminal (PCB-mounting): M3 × 0.5

| HRS No. | No. of Pin | Part No. |
|-----------------|------------|--------------------|
| CL211-0398-9 | 9 | RDED-9S(4-40) |
| CL211-0399-1-05 | 15 | RDAD-15S(4-40)(05) |
| CL211-0300-4 | 25 | RDBD-25S(4-40) |



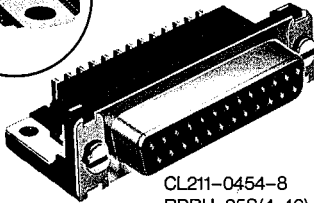
CL211-0300-4
 RDBD-25S(4-40)



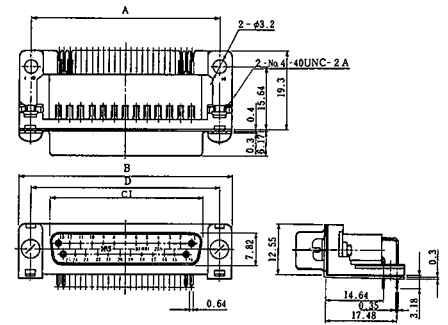
Panel-mounting threaded holes: No. 4 - 40 UNC (inch)
 Ground terminal (PCB-mounting): Through-holes

| HRS No. | No. of Pin | Part No. |
|--------------|------------|----------------|
| CL211-0454-8 | 25 | RDBH-25S(4-40) |

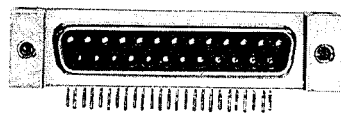
Note: Shell: solder-plated



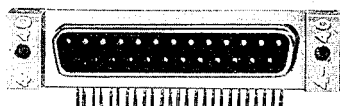
CL211-0454-8
 RDBH-25S(4-40)



Locking Device with Rectangular Mating Locking Base (LN Type)



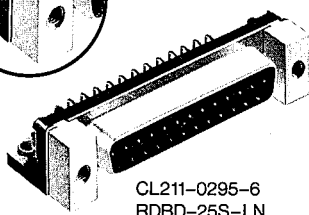
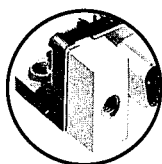
Metric thread



#4-40 thread

Dimensions

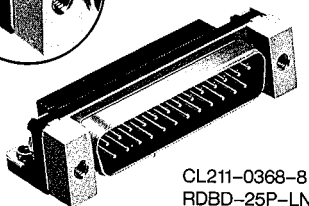
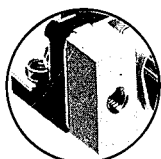
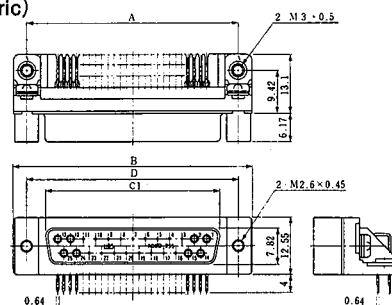
| No. of Pin | A | B | C ₁ | C ₂ | D | E |
|------------|-------|-------|----------------|----------------|-------|------|
| 9 | 24.99 | 30.81 | 16.4 | 16.9 | 24.99 | 8.34 |
| 15 | 33.32 | 39.14 | 24.59 | 25.24 | 33.32 | 8.34 |
| 25 | 47.04 | 53.04 | 38.3 | 39.01 | 47.04 | 8.4 |
| 37 | 63.5 | 69.32 | 54.76 | — | 63.5 | — |



CL211-0295-6
RDBD-25S-LN

Rectangular mating threaded holes: M2.6 × 0.45 (metric)
Ground terminal (PCB-mounting): M3 × 0.5

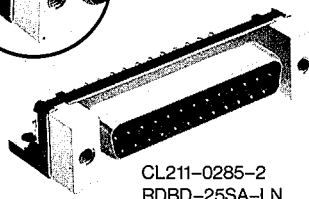
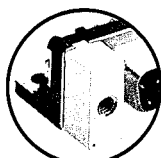
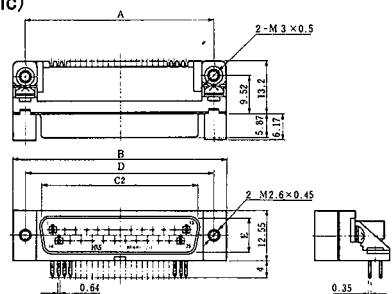
| HRS No. | No. of Pin | Part No. |
|-----------------|-----------------|-----------------|
| CL211-0313-6 | 9 | RDED-9S-LN |
| CL211-0313-6-05 | | RDED-9S-LN(05) |
| CL211-0316-4 | 15 | RDAD-15S-LN |
| CL211-0316-4-05 | | RDAD-15S-LN(05) |
| CL211-0295-6 | 25 | RDBD-25S-LN |
| CL211-0295-6-05 | | RDBD-25S-LN(05) |
| CL211-0319-2 | | RDCC-37S-LN |
| CL211-0319-2-05 | RDCC-37S-LN(05) | |



CL211-0368-8
RDBD-25P-LN

Rectangular mating threaded holes: M2.6 × 0.45 (metric)
Ground terminal (PCB-mounting): M3 × 0.5

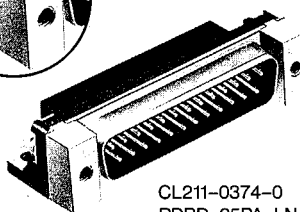
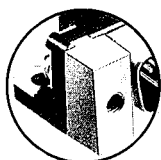
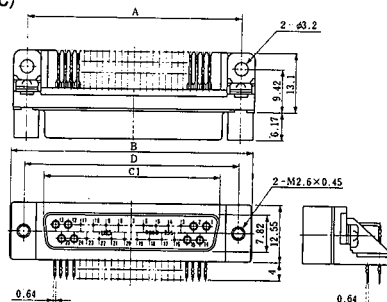
| HRS No. | No. of Pin | Part No. |
|-----------------|------------|----------------|
| CL211-0476-0 | 9 | RDED-9P-LN |
| CL211-0476-0-05 | | RDED-9P-LN(05) |
| CL211-0497-0 | 15 | RDAD-15P-LN |
| CL211-0368-8 | 25 | RDBD-25P-LN |



CL211-0285-2
RDBD-25SA-LN

Rectangular mating threaded holes: M2.6 x 0.45 (metric)
Ground terminal (PCB-mounting): Through-holes

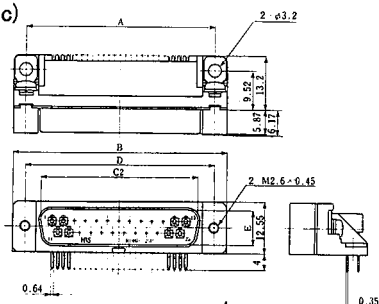
| HRS No. | No. of Pin | Part No. |
|-----------------|------------|------------------|
| CL211-0415-6 | 9 | RDED-9SA-LN |
| CL211-0389-8 | 15 | RDAD-15SA-LN |
| CL211-0285-2 | 25 | RDBD-25SA-LN |
| CL211-0285-2-05 | | RDBD-25SA-LN(05) |
| CL211-0416-9 | 37 | RDCC-37SA-LN |
| CL211-0416-9-05 | | RDCC-37SA-LN(05) |

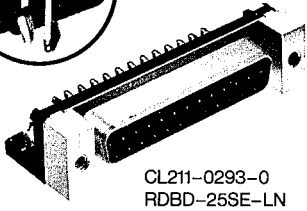


CL211-0374-0
RDBD-25PA-LN

Rectangular mating threaded holes: M2.6 x 0.45 (metric)
Ground terminal (PCB-mounting): Through-holes

| HRS No. | No. of Pin | Part No. |
|--------------|------------|--------------|
| CL211-0374-0 | 25 | RDBD-25PA-LN |

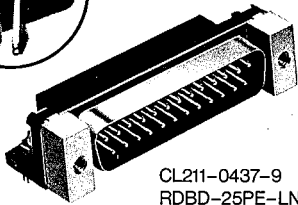
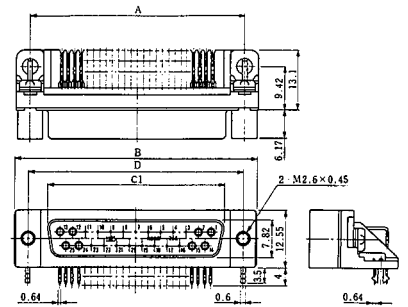




CL211-0293-0
RDBD-25SE-LN

Rectangular-mating threaded holes: M2.6 x 0.45 (metric)
Ground terminal (PCB-mounting) : Fitted with a simple lock pin for temporary locking on PCB

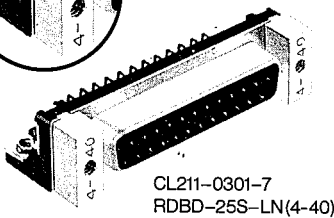
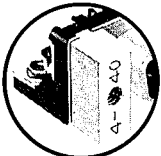
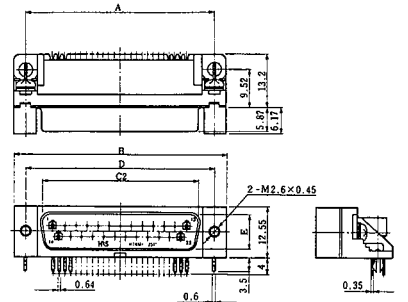
| HRS No. | No. of Pin | Part No. |
|-----------------|------------|-------------------|
| CL211-0420-6 | 9 | RDED-9SE-LN |
| CL211-0420-6-05 | | RDED-9SE-LN (05) |
| CL211-0421-9 | 15 | RDAD-15SE-LN |
| CL211-0421-9-05 | | RDAD-15SE-LN (05) |
| CL211-0293-0 | 25 | RDBD-25SE-LN |
| CL211-0293-0-05 | | RDBD-25SE-LN (05) |
| CL211-0423-4 | 37 | RDCD-37SE-LN |
| CL211-0423-4-05 | | RDCD-37SE-LN (05) |



CL211-0437-9
RDBD-25PE-LN

Rectangular-mating threaded holes: M2.6 x 0.45 (metric)
Ground terminal (PCB-mounting) : Fitted with a simple lock pin for temporary locking on PCB.

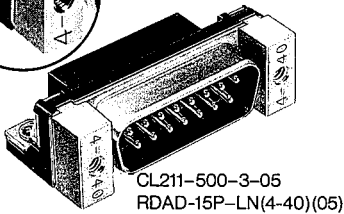
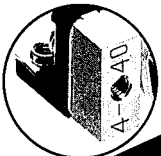
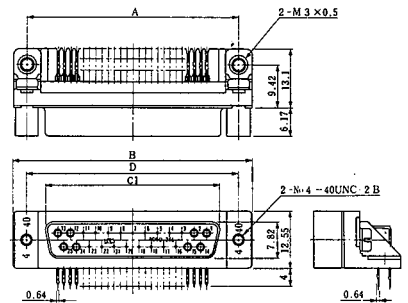
| HRS No. | No. of Pin | Part No. |
|--------------|------------|--------------|
| CL211-0491-4 | 9 | RDED-9PE-LN |
| CL211-0509-8 | 15 | RDAD-15PE-LN |
| CL211-0437-9 | 25 | RDBD-25PE-LN |



CL211-0301-7
RDBD-25S-LN(4-40)

Rectangular mating threaded holes: No.4-40 UNC (inch)
Ground terminal (PCB-mounting) : M3 X 0.5

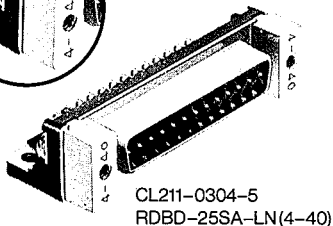
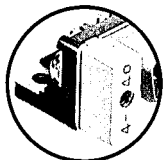
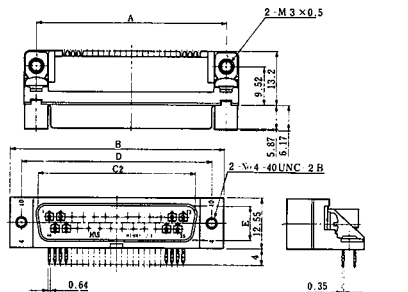
| HRS No. | No. of Pin | Part No. |
|-----------------|------------|------------------------|
| CL211-0401-1-05 | 9 | RDED-9S-LN(4-40) (05) |
| CL211-0301-7 | 25 | RDBD-25S-LN(4-40) |
| CL211-0301-7-05 | | RDBD-25S-LN(4-40) (05) |



CL211-500-3-05
RDAD-15P-LN(4-40)(05)

Rectangular mating threaded holes: No.4-40 UNC (inch)
Ground terminal (PCB-mounting) : M3 X 0.5

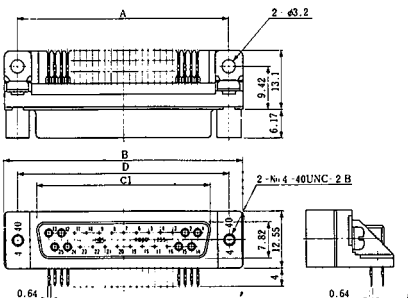
| HRS No. | No. of Pin | Part No. |
|-----------------|------------|------------------------|
| CL211-0479-9-05 | 9 | RDED-9P-LN(4-40) (05) |
| CL211-0500-3-05 | 15 | RDAD-15P-LN(4-40) (05) |



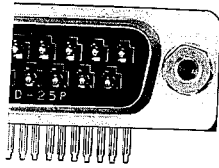
CL211-0304-5
RDBD-25SA-LN(4-40)

Rectangular mating threaded holes: No.4-40 UNC (inch)
Ground terminal (PCB-mounting) : Through-holes

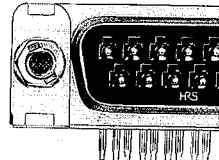
| HRS No. | No. of Pin | Part No. |
|-----------------|------------|-------------------------|
| CL211-0407-8 | 15 | RDAD-15SA-LN(4-40) |
| CL211-0304-5 | 25 | RDBD-25SA-LN(4-40) |
| CL211-0408-0-05 | 37 | RDCD-37SA-LN(4-40) (05) |



Locking Device with Hexagonal-mating Locking Base (LNA Type)



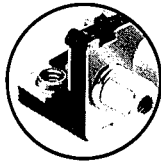
Metric thread



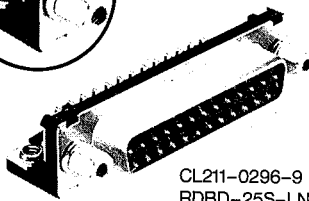
#4-40 thread

DIMENSIONS

| No. of Pin | A | B | C ¹ | C ² | D | E |
|------------|-------|-------|----------------|----------------|-------|------|
| 9 | 24.99 | 30.81 | 16.4 | 16.9 | 24.99 | 8.34 |
| 15 | 33.32 | 39.14 | 24.59 | 25.24 | 33.32 | 8.34 |
| 25 | 47.04 | 53.04 | 38.3 | 39.01 | 47.04 | 8.4 |
| 37 | 63.5 | 69.32 | 54.76 | — | 63.5 | — |

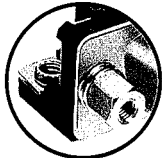
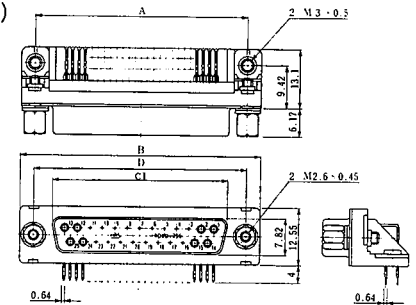


Hexagonal-mating threaded holes: M2.6 × 0.45 (metric)
Ground terminal (PCB-mounting): M3 × 0.5

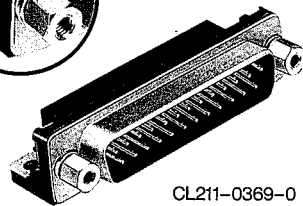


CL211-0296-9
RDBD-25S-LNA

| HRS No. | No. of Pin | Part No. |
|-----------------|------------|-------------------|
| CL211-0314-9 | 9 | RDED-9S-LNA |
| CL211-0314-9-05 | | RDED-9S-LNA(05) |
| CL211-0317-7 | 15 | RDAD-15S-LNA |
| CL211-0317-7-05 | | RDAD-15S-LNA(05) |
| CL211-0296-9 | 25 | RDBD-25S-LNA |
| CL211-0296-9-05 | | RDBD-25S-LNA(05) |
| CL211-0320-1 | 37 | RDCCD-37S-LNA |
| CL211-0320-1-05 | | RDCCD-37S-LNA(05) |

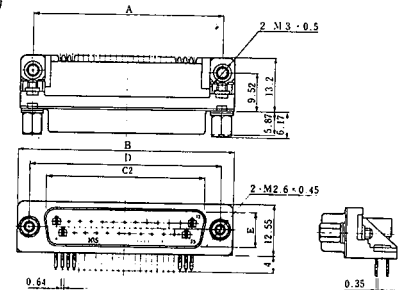


Hexagonal-mating threaded holes: M2.6 × 0.45 (metric)
Ground terminal (PCB-mounting): M3 × 0.5

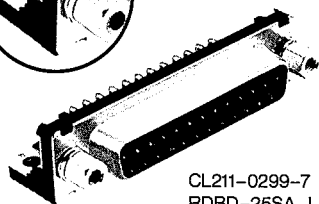


CL211-0369-0
RDBD-25P-LNA

| HRS No. | No. of Pin | Part No. |
|-----------------|------------|------------------|
| CL211-0477-3 | 9 | RDED-9P-LNA |
| CL211-0477-3-05 | | RDED-9P-LNA(05) |
| CL211-0498-3 | 16 | RDAD-15P-LNA |
| CL211-0498-3-05 | | RDAD-15P-LNA(05) |
| CL211-0369-0 | 25 | RDBD-25P-LNA |
| CL211-0369-0-05 | | RDBD-25P-LNA(05) |

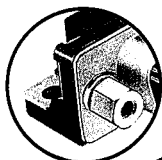
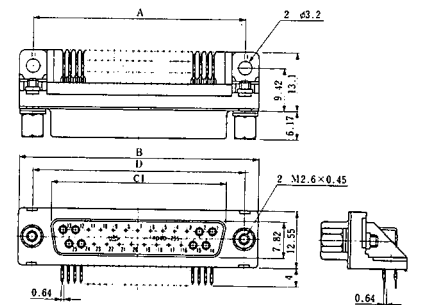


Hexagonal-mating threaded holes: M2.6 × 0.45 (metric)
Ground terminal (PCB-mounting): Through-holes

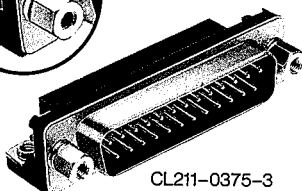


CL211-0299-7
RDBD-25SA-LNA

| HRS No. | No. of Pin | Part No. |
|-----------------|------------|--------------------|
| CL211-0409-3 | 9 | RDED-9SA-LNA |
| CL211-0410-2 | 15 | RDAD-15SA-LNA |
| CL211-0410-2-05 | | RDAD-15SA-LNA(05) |
| CL211-0299-7 | 25 | RDBD-25SA-LNA |
| CL211-0299-7-05 | | RDBD-25SA-LNA(05) |
| CL211-0411-5 | 37 | RDCCD-37SA-LNA |
| CL211-0411-5-05 | | RDCCD-37SA-LNA(05) |

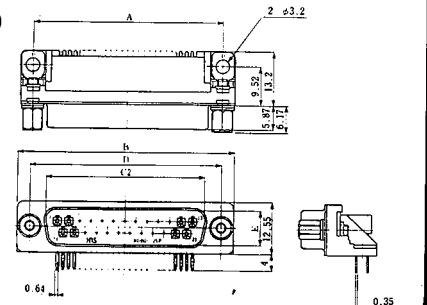


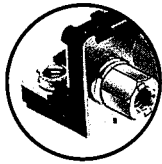
Hexagonal-mating threaded holes: M2.6 × 0.45 (metric)
Ground terminal (PCB-mounting): Through-holes



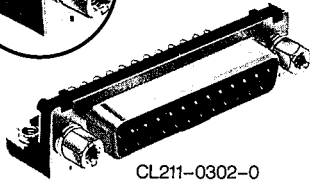
CL211-0375-3
RDBD-25PA-LNA

| HRS No. | No. of Pin | Part No. |
|--------------|------------|---------------|
| CL211-0486-4 | 9 | RDED-9PA-LNA |
| CL211-0504-4 | 15 | RDAD-15PA-LNA |
| CL211-0375-3 | 25 | RDBD-25PA-LNA |



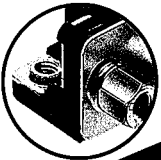
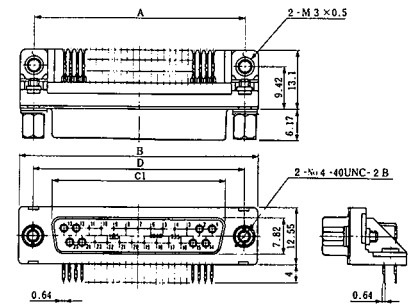


Hexagonal-mating threaded holes: No. 4-40 UNC (inch)
Ground terminal (PCB-mounting): M3 X 0.5

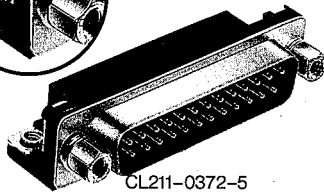


CL211-0302-0
RDBD-25S-LNA(4-40)

| HRS No. | No. of Pin | Part No. |
|-----------------|------------|------------------------|
| CL211-0404-0 | 9 | RDED-9S-LNA(4-40) |
| CL211-0404-0-05 | | RDED-9S-LNA(4-40)(05) |
| CL211-0384-4 | 15 | RDAD-15S-LNA(4-40) |
| CL211-0384-4-05 | | RDAD-15S-LNA(4-40)(05) |
| CL211-0302-0 | 25 | RDBD-25S-LNA(4-40) |
| CL211-0302-0-05 | | RDBD-25S-LNA(4-40)(05) |
| CL211-0405-2 | 37 | RDCD-37S-LNA(4-40) |
| CL211-0405-2-05 | | RDCD-37S-LNA(4-40)(05) |

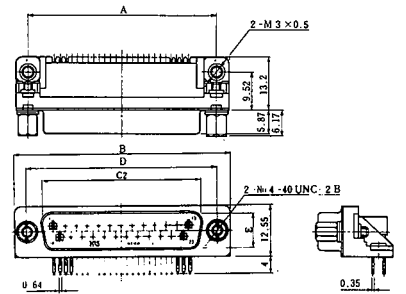


Hexagonal-mating threaded holes: No. 4-40 UNC (inch)
Ground terminal (PCB-mounting): M3 X 0.5

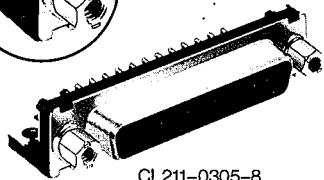


CL211-0372-5
RDBD-25P-LNA(4-40)

| HRS No. | No. of Pin | Part No. |
|-----------------|------------|------------------------|
| CL211-0480-8 | 9 | RDED-9P-LNA(4-40) |
| CL211-0480-8-05 | | RDED-9P-LNA(4-40)(05) |
| CL211-0501-6 | 15 | RDAD-15P-LNA(4-40) |
| CL211-0372-5 | | RDBD-25P-LNA(4-40) |
| CL211-0372-5-05 | | RDBD-25P-LNA(4-40)(05) |

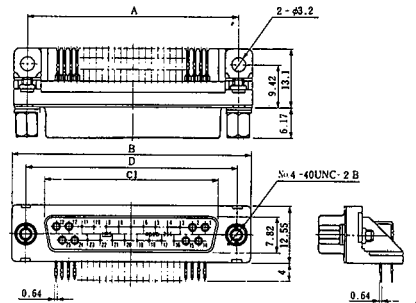


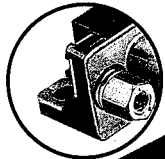
Hexagonal-mating threaded holes: No. 4-40 UNC (inch)
Ground terminal (PCB-mounting): Through-holes



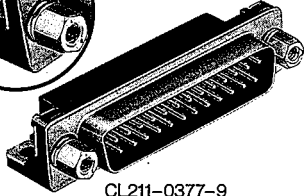
CL211-0305-8
RDBD-25SA-LNA(4-40)

| HRS No. | No. of Pin | Part No. |
|-----------------|------------|------------------------|
| CL211-0417-1-05 | 9 | RDED-9SA-LNA(4-40)(05) |
| CL211-0305-8 | 25 | RDBD-25SA-LNA(4-40) |



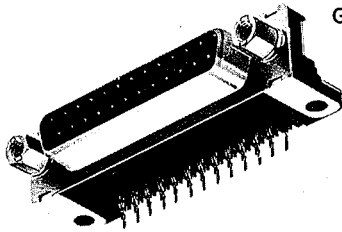
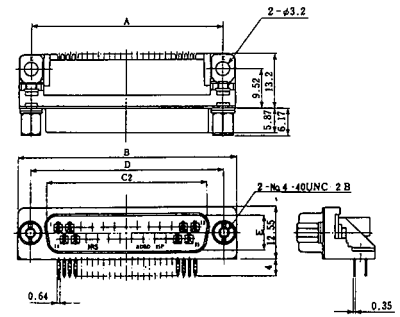


Hexagonal-mating threaded holes: No. 4-40 UNC (inch)
Ground terminal (PCB-mounting): Through-holes



CL211-0377-9
RDBD-25PA-LNA(4-40)

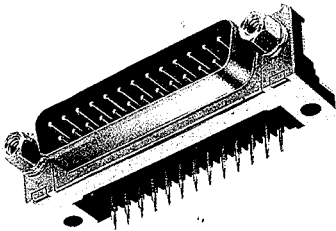
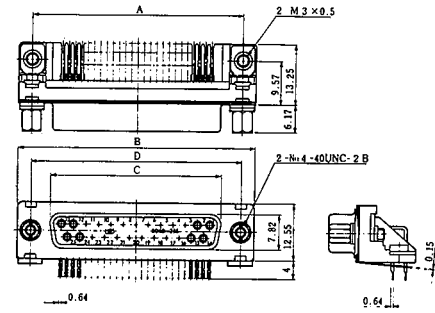
| HRS No. | No. of Pin | Part No. |
|--------------|------------|---------------------|
| CL211-0489-2 | 9 | RDED-9PA-LNA(4-40) |
| CL211-0377-9 | 25 | RDBD-25PA-LNA(4-40) |



CL211-0459-1
RDBD-25S-LNA(4-40) GP

Hexagonal-mating threaded holes: No. 4-40 UNC (inch)
Ground terminal (PCB-mounting): M3 X 0.5

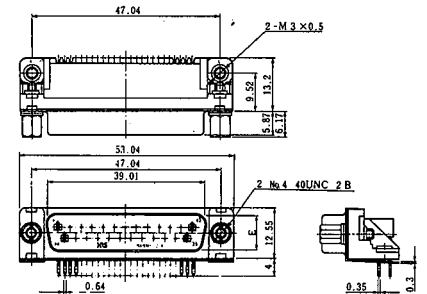
| HRS No. | No. of Pin | Part No. |
|-----------------|------------|---------------------------|
| CL211-0458-9 | 15 | RDAD-15S-LNA(4-40) GP |
| CL211-0458-9-05 | | RDAD-15S-LNA(4-40) GP(05) |
| CL211-0459-1-05 | 25 | RDBD-25S-LNA(4-40) GP(05) |
| CL211-0460-0 | | RDCD-25S-LNA(4-40) GP |
| CL211-0460-0-05 | 37 | RDCD-37S-LNA(4-40) GP(05) |



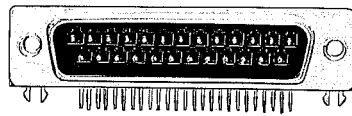
CL211-0539-9
RQBD-25P-LNA(4-40) GP2

Hexagonal-mating threaded holes: No. 4-40 UNC (inch)
Ground terminal (PCB-mounting): M3 X 0.5

| HRS No. | No. of Pin | Part No. |
|--------------|------------|------------------------|
| CL211-0539-9 | 25 | RDBD-25P-LNA(4-40) GP2 |



Field-Mounting Locking Device



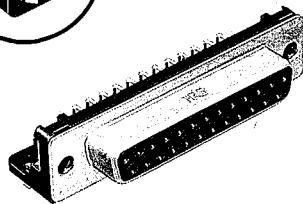
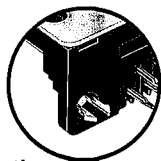
Male contact



Female contact

Dimensions

| No. of Pin | A | B | C1 | C2 | D |
|------------|-------|-------|-------|-------|-------|
| 9 | 24.99 | 30.81 | 16.4 | 16.9 | 24.95 |
| 15 | 33.32 | 39.14 | 24.59 | 25.24 | 33.32 |
| 25 | 47.04 | 53.04 | 38.3 | 39.01 | 47.04 |
| 37 | 63.5 | 69.32 | 54.76 | — | 63.55 |

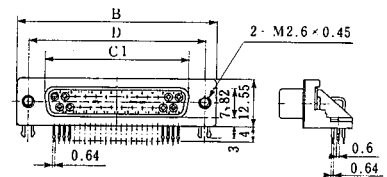
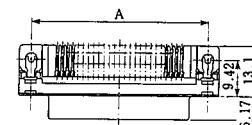


CL211-5197-4-05
RDBD-25SE1/M2.6(05)

Hexagonal mating screw: Not provided (Select from the following according to your application)

Grounding device (PCB mounting part): With simple locking pin to temporarily lock PCB.
Applicable PCB thickness: 1.6 mm

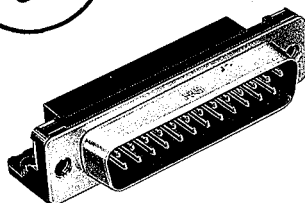
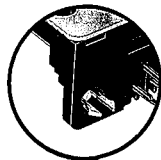
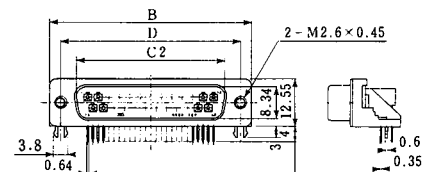
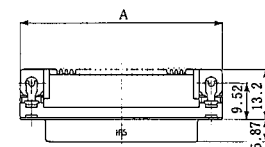
| HRS No. | No. of Pin | Part No. |
|-----------------|------------|---------------------|
| CL211-5195-9 | 9 | RDED-9SE1/M2.6 |
| CL211-5195-9-05 | | RDED-9SE1/M2.6(05) |
| CL211-5169-9 | 15 | RDAD-15SE1/M2.6 |
| CL211-5169-9-05 | | RDAD-15SE1/M2.6(05) |
| CL211-5197-4 | 25 | RDBD-25SE1/M2.6 |
| CL211-5197-4-05 | | RDBD-25SE1/M2.6(05) |
| CL211-5198-7 | 37 | RDCD-37SE1/M2.6 |
| CL211-5198-7-05 | | RDCD-37SE1/M2.6(05) |



Hexagonal mating screw: Not provided (Select from the following according to your application)

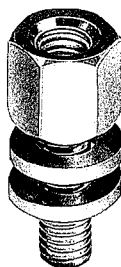
Grounding device (PCB mounting part): With simple locking pin to temporarily lock PCB.
Applicable PCB thickness: 1.6 mm

| HRS No. | No. of Pin | Part No. |
|-----------------|------------|---------------------|
| CL211-5168-6 | 9 | RDED-9PE1/M2.6 |
| CL211-5168-6-05 | | RDED-9PE1/M2.6(05) |
| CL211-5196-1 | 15 | RDAD-15PE1/M2.6 |
| CL211-5196-1-05 | | RDAD-15PE1/M2.6(05) |
| CL211-5170-8 | 25 | RDBD-25PE1/M2.6 |
| CL211-5170-8-05 | | RDBD-25PE1/M2.6(05) |



CL211-5170-8-05
RDBD-25PE1/M2.6(05)

Special mating locking screw Washer



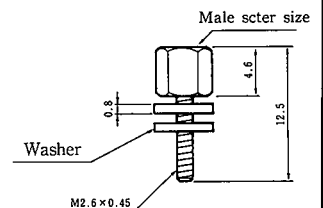
CL211-5182-7-05
RDG-LNA-W2

| | HRS No. | Part No. | No. of pin | Agreement Panel Thickness |
|------------|--------------|------------------|------------|---------------------------|
| M2.6X0.45 | CL211-5180-1 | RDG-LNA | 0 | 1.6~2.0 |
| | CL211-5181-4 | RDG-LNA-W1 | 1 | 0.8~1.2 |
| | CL211-5182-7 | RDG-LNA-W2 | 2 | 0~0.4 |
| N0.4-40UNC | CL211-5183-0 | RDG-LNA(4-40) | 0 | 1.6~2.0 |
| | CL211-5184-2 | RDG-LNA(4-40)-W1 | 1 | 0.8~1.2 |
| | CL211-5185-5 | RDG-LNA(4-40)-W2 | 2 | 0~0.4 |

Note 1: Finished by nickel plating.

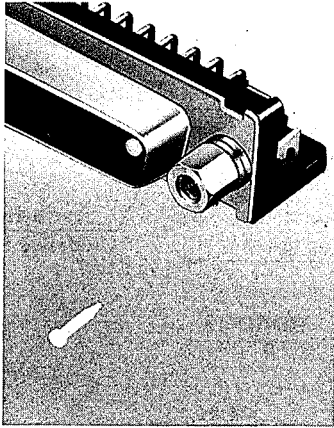
2: Two screws are packed in one case.

3: Since the grounding device attached to the connector is fixed temporarily, do not press the locking screw against the grounding device.



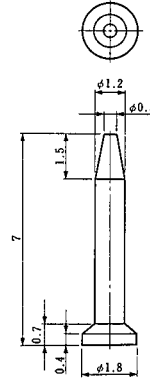
SM Series (D SUB) Accessories

Mis-insertion prevention pin



Note 1: Can be used in the female RD, SD, HD series. For use in the CD series, built-in crimp terminals are required.

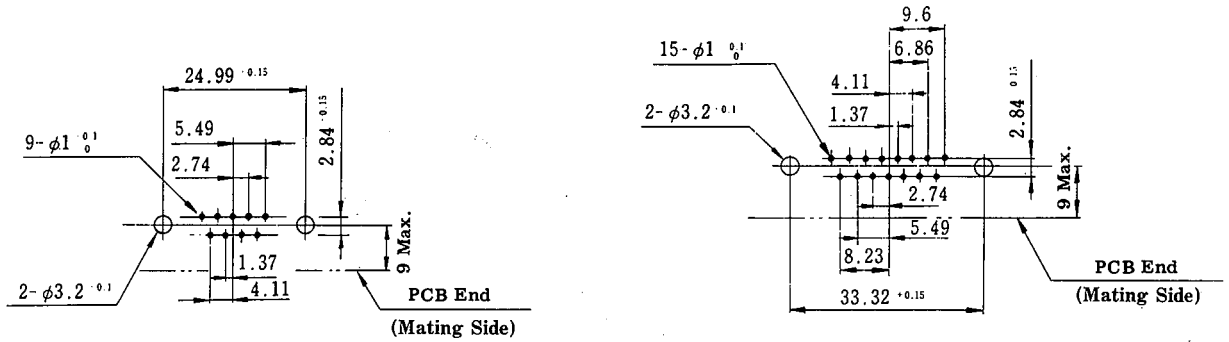
2: As a mating partner, use a male CD (crimp termination) series connector that allows the contact at the part corresponding to the mis-insertion prevention pin to be removed.



| HRS No. | Part No. |
|--------------|---------------------|
| CL211-0436-6 | RDBD polarizing pin |

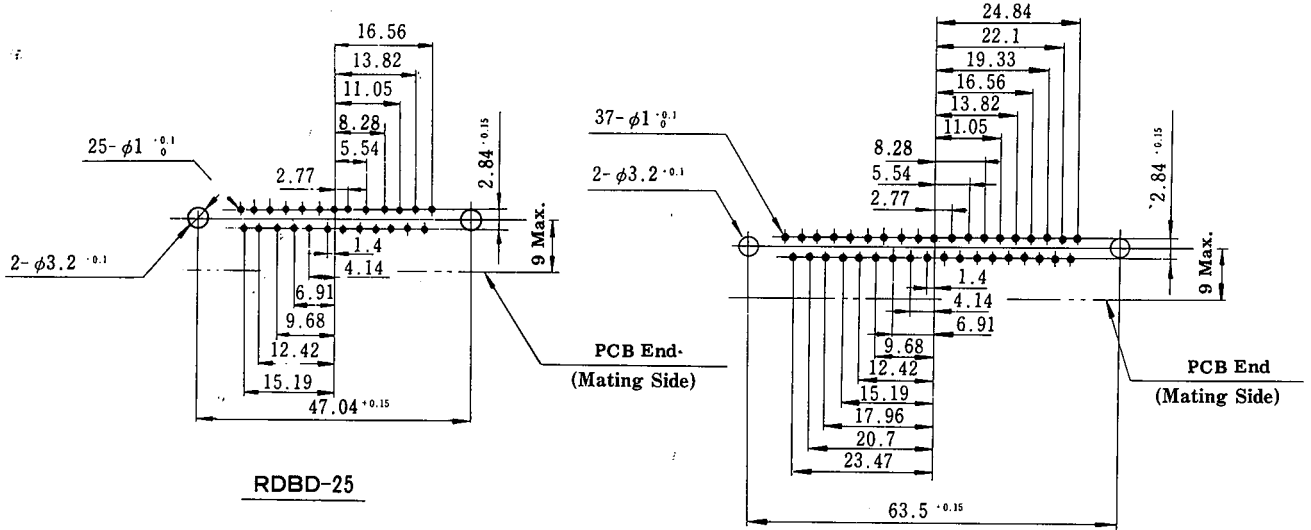
Note : Can also be used in the SD and HD series.

Recommended PC board Hole Pattern (mm)



RDED-9

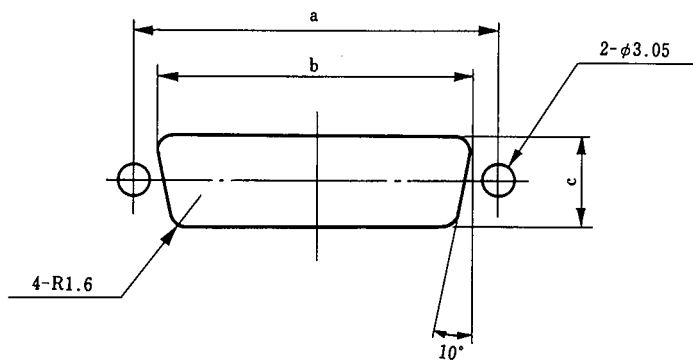
RDAD-15



RDBD-25

RDCD-37

● Mounting Cutout



Unit: mm

| Shell Size | a | b | c |
|------------|-------|------|------|
| E | 24.99 | 20.2 | 11.5 |
| A | 33.32 | 28.6 | 11.5 |
| B | 47.04 | 42.3 | 11.5 |
| C | 63.5 | 58.7 | 11.5 |