

**50A, 400V - 600V Hyperfast Diodes**

RHRU5040, RHRU5050 and RHRU5060 (TA49065) are hyperfast diodes with soft recovery characteristics ( $t_{RR} < 45ns$ ). They have half the recovery time of ultrafast diodes and are silicon nitride passivated ion-implanted epitaxial planar construction.

These devices are intended for use as freewheeling/clamping diodes and rectifiers in a variety of switching power supplies and other power switching applications. Their low stored charge and hyperfast soft recovery minimize ringing and electrical noise in many power switching circuits reducing power loss in the switching transistors.

**Ordering Information**

**PACKAGING AVAILABILITY**

PART NUMBER	PACKAGE	BRAND
RHRU5040	TO-218	RHRU5040
RHRU5050	TO-218	RHRU5050
RHRU5060	TO-218	RHRU5060

NOTE: When ordering, use the entire part number.

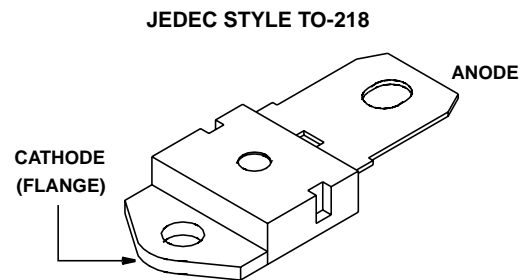
**Features**

- Hyperfast with Soft Recovery .....<45ns
- Operating Temperature ..... +175°C
- Reverse Voltage Up To .....600V
- Avalanche Energy Rated
- Planar Construction

**Applications**

- Switching Power Supplies
- Power Switching Circuits
- General Purpose

**Package**



**Symbol**



**Absolute Maximum Ratings**  $T_C = +25^{\circ}C$ , Unless Otherwise Specified

	RHRU5040	RHRU5050	RHRU5060	UNITS
Peak Repetitive Reverse Voltage ..... $V_{RRM}$	400	500	600	V
Working Peak Reverse Voltage ..... $V_{RWM}$	400	500	600	V
DC Blocking Voltage ..... $V_R$	400	500	600	V
Average Rectified Forward Current ..... $I_{F(AV)}$ ( $T_C = +93^{\circ}C$ )	50	50	50	A
Repetitive Peak Surge Current ..... $I_{FSM}$ (Square Wave, 20kHz)	100	100	100	A
Nonrepetitive Peak Surge Current ..... $I_{FSM}$ (Halfwave, 1 Phase, 60Hz)	500	500	500	A
Maximum Power Dissipation ..... $P_D$	150	150	150	W
Avalanche Energy ( $L = 40mH$ ) ..... $E_{AVL}$	40	40	40	mj
Operating and Storage Temperature ..... $T_{STG}, T_J$	-65 to +175	-65 to +175	-65 to +175	$^{\circ}C$

# RHRU5040, RHRU5050, RHRU5060

## Electrical Specifications $T_C = +25^\circ\text{C}$ , Unless Otherwise Specified

SYMBOL	TEST CONDITION	RHRU5040			RHRU5050			RHRU5060			UNITS
		MIN	TYP	MAX	MIN	TYP	MAX	MIN	TYP	MAX	
$V_F$	$I_F = 50\text{A}$ , $T_C = +25^\circ\text{C}$	-	-	2.1	-	-	2.1	-	-	2.1	V
	$I_F = 50\text{A}$ , $T_C = +150^\circ\text{C}$	-	-	1.7	-	-	1.7	-	-	1.7	V
$I_R$	$V_R = 400\text{V}$ , $T_C = +25^\circ\text{C}$	-	-	500	-	-	-	-	-	-	$\mu\text{A}$
	$V_R = 500\text{V}$ , $T_C = +25^\circ\text{C}$	-	-	-	-	-	500	-	-	-	$\mu\text{A}$
	$V_R = 600\text{V}$ , $T_C = +25^\circ\text{C}$	-	-	-	-	-	-	-	-	500	$\mu\text{A}$
$I_R$	$V_R = 400\text{V}$ , $T_C = +150^\circ\text{C}$	-	-	1.5	-	-	-	-	-	-	mA
	$V_R = 500\text{V}$ , $T_C = +150^\circ\text{C}$	-	-	-	-	-	1.5	-	-	-	mA
	$V_R = 600\text{V}$ , $T_C = +150^\circ\text{C}$	-	-	-	-	-	-	-	-	1.5	mA
$t_{RR}$	$I_F = 1\text{A}$ , $di_F/dt = 100\text{A}/\mu\text{s}$	-	-	45	-	-	45	-	-	45	ns
	$I_F = 50\text{A}$ , $di_F/dt = 100\text{A}/\mu\text{s}$	-	-	50	-	-	50	-	-	50	ns
$t_A$	$I_F = 50\text{A}$ , $di_F/dt = 100\text{A}/\mu\text{s}$	-	25	-	-	25	-	-	25	-	ns
$t_B$	$I_F = 50\text{A}$ , $di_F/dt = 100\text{A}/\mu\text{s}$	-	20	-	-	20	-	-	20	-	ns
$Q_{RR}$	$I_F = 50\text{A}$ , $di_F/dt = 100\text{A}/\mu\text{s}$	-	65	-	-	65	-	-	65	-	nC
$C_J$	$V_R = 10\text{V}$ , $I_F = 0\text{A}$	-	140	-	-	140	-	-	140	-	pF
$R_{\theta JC}$		-	-	1.0	-	-	1.0	-	-	1.0	$^\circ\text{C}/\text{W}$

### DEFINITIONS

$V_F$  = Instantaneous forward voltage ( $p_w = 300\mu\text{s}$ ,  $D = 2\%$ ).

$I_R$  = Instantaneous reverse current.

$t_{RR}$  = Reverse recovery time (See Figure 2), summation of  $t_A + t_B$ .

$t_A$  = Time to reach peak reverse current (See Figure 2).

$t_B$  = Time from peak  $I_{RM}$  to projected zero crossing of  $I_{RM}$  based on a straight line from peak  $I_{RM}$  through 25% of  $I_{RM}$  (See Figure 2).

$R_{\theta JC}$  = Thermal resistance junction to case.

$E_{AVL}$  = Controlled avalanche energy (See Figures 10 and 11).

$p_w$  = pulse width.

$D$  = duty cycle.

$V_1$  AMPLITUDE CONTROLS  $I_F$   
 $V_2$  AMPLITUDE CONTROLS  $di_F/dt$   
 $L_1$  = SELF INDUCTANCE OF  
 $R_4 + L_{LOOP}$

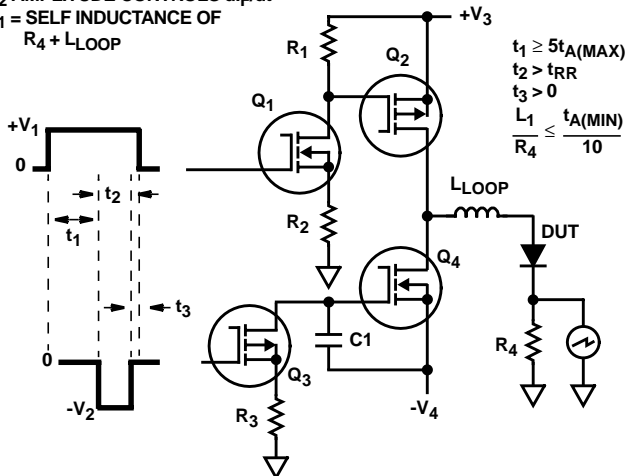


FIGURE 1.  $t_{RR}$  TEST CIRCUIT

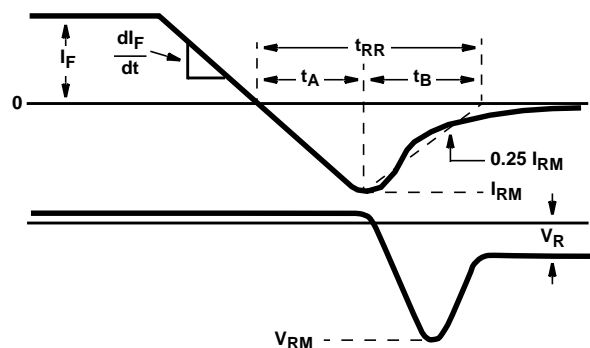


FIGURE 2.  $t_{RR}$  WAVEFORMS AND DEFINITIONS

Typical Performance Curves

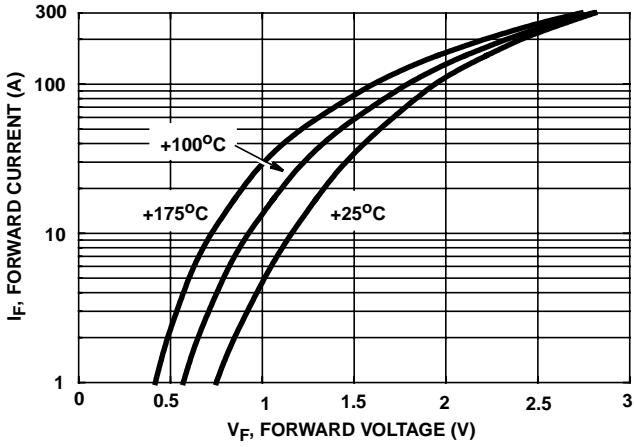


FIGURE 3. TYPICAL FORWARD CURRENT vs FORWARD VOLTAGE DROP

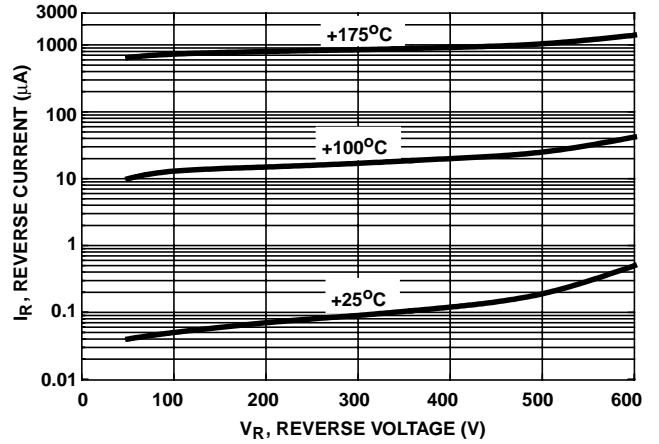


FIGURE 4. TYPICAL REVERSE CURRENT vs REVERSE VOLTAGE

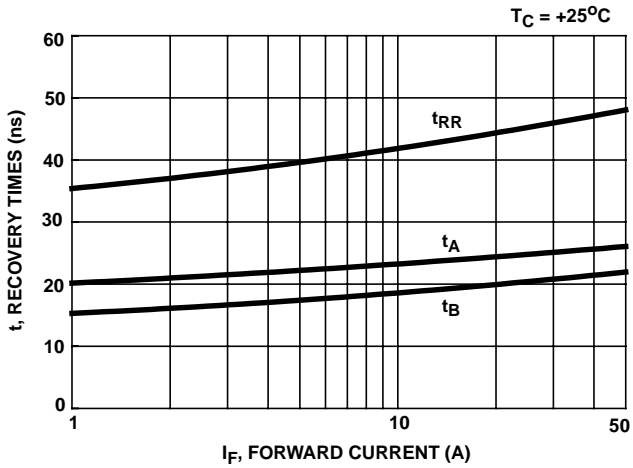


FIGURE 5. TYPICAL  $t_{RR}$ ,  $t_A$  AND  $t_B$  CURVES vs FORWARD CURRENT AT +25°C

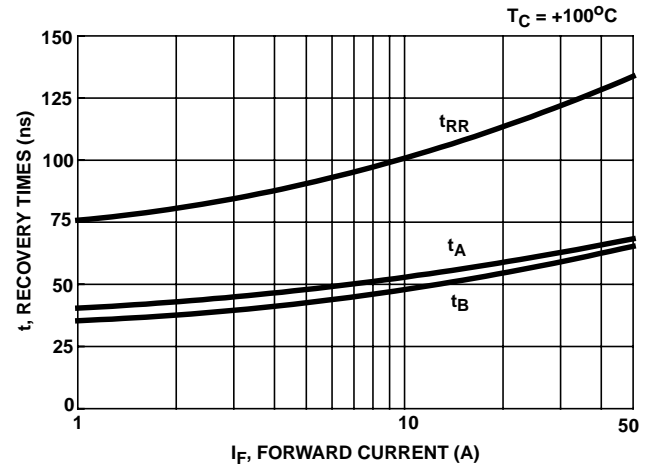


FIGURE 6. TYPICAL  $t_{RR}$ ,  $t_A$  AND  $t_B$  CURVES vs FORWARD CURRENT AT +100°C

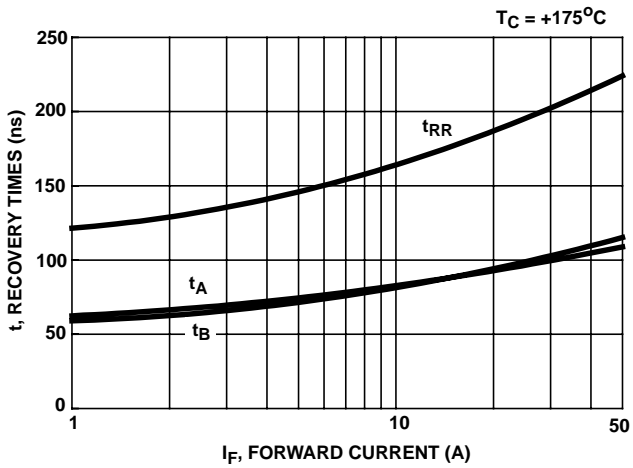


FIGURE 7. TYPICAL  $t_{RR}$ ,  $t_A$  AND  $t_B$  CURVES vs FORWARD CURRENT AT +175°C

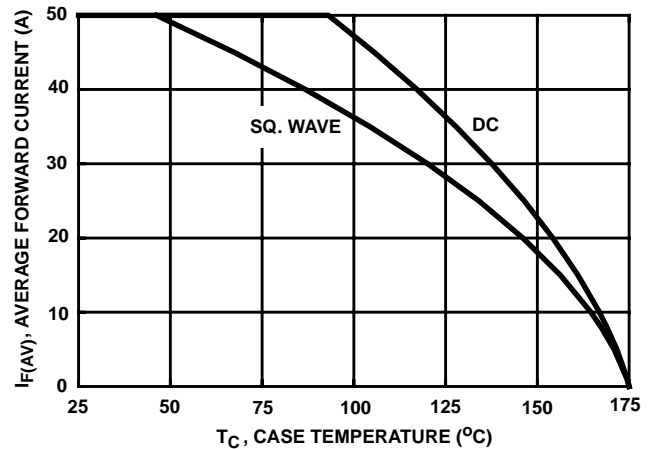


FIGURE 8. CURRENT DERATING CURVE FOR ALL TYPES

Typical Performance Curves (Continued)

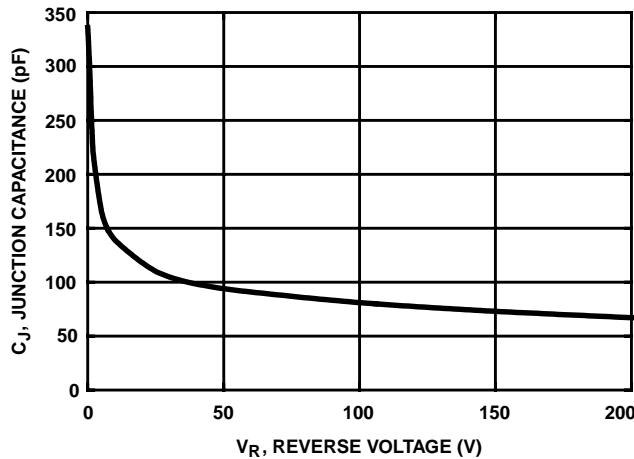


FIGURE 9. TYPICAL JUNCTION CAPACITANCE vs REVERSE VOLTAGE

Test Circuit and Waveforms

I<sub>MAX</sub> = 1A  
 L = 40mH  
 R < 0.1Ω  
 $E_{AVL} = 1/2LI^2 [V_{AVL}/(V_{AVL} - V_{DD})]$   
 Q<sub>1</sub> AND Q<sub>2</sub> ARE 1000V MOSFETs

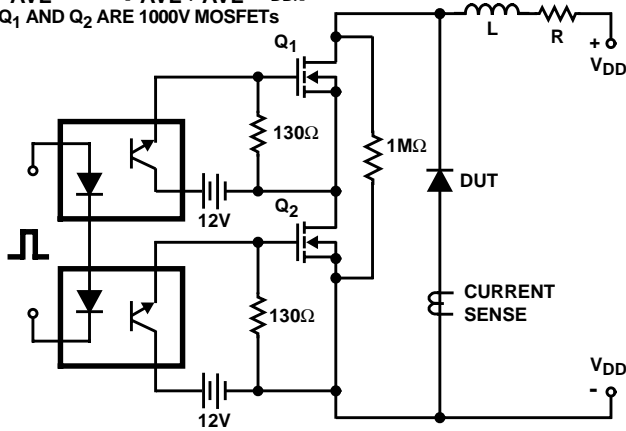


FIGURE 10. AVALANCHE ENERGY TEST CIRCUIT

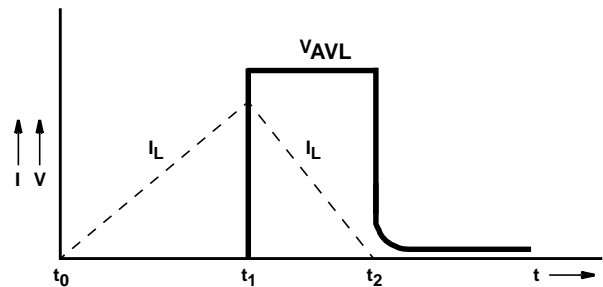


FIGURE 11. AVALANCHE CURRENT AND VOLTAGE WAVEFORMS

All Intersil semiconductor products are manufactured, assembled and tested under **ISO9000** quality systems certification.

*Intersil semiconductor products are sold by description only. Intersil Corporation reserves the right to make changes in circuit design and/or specifications at any time without notice. Accordingly, the reader is cautioned to verify that data sheets are current before placing orders. Information furnished by Intersil is believed to be accurate and reliable. However, no responsibility is assumed by Intersil or its subsidiaries for its use; nor for any infringements of patents or other rights of third parties which may result from its use. No license is granted by implication or otherwise under any patent or patent rights of Intersil or its subsidiaries.*

For information regarding Intersil Corporation and its products, see web site [www.intersil.com](http://www.intersil.com)

Sales Office Headquarters

**NORTH AMERICA**  
 Intersil Corporation  
 P. O. Box 883, Mail Stop 53-204  
 Melbourne, FL 32902  
 TEL: (321) 724-7000  
 FAX: (321) 724-7240

**EUROPE**  
 Intersil SA  
 Mercure Center  
 100, Rue de la Fusee  
 1130 Brussels, Belgium  
 TEL: (32) 2.724.2111  
 FAX: (32) 2.724.22.05

**ASIA**  
 Intersil (Taiwan) Ltd.  
 7F-6, No. 101 Fu Hsing North Road  
 Taipei, Taiwan  
 Republic of China  
 TEL: (886) 2 2716 9310  
 FAX: (886) 2 2715 3029