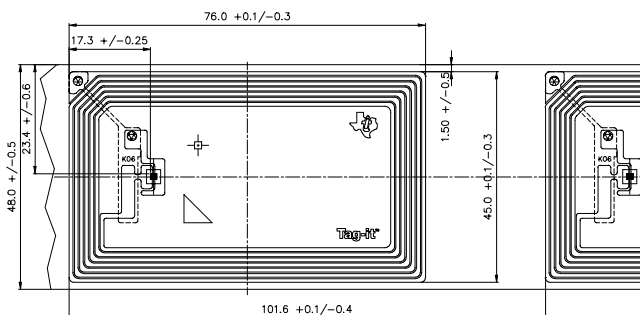


# Tag-it™ HF-I Transponder Inlay

## - Rectangle-Large -

The Tag-it HF-I Transponder Inlay is compliant with the ISO/IEC 15693 standard. With a user memory of 2k bits, organized in 64 blocks, the Tag-it HF-I Transponder Inlays allows advanced solutions for a variety of applications, including product authentication, ticketing, library management, supply chain management etc. The thin and flexible Tag-it HF-I Transponder Inlays can be easily converted into paper labels.



### Specifications:

Part Number	RI-112-112A
Supported Standard	ISO 15693-2,-3
Recommended Operating frequency	13.56 MHz
Passive Resonance Frequency (at +25°C)	13.86 MHz ± 200kHz (includes frequency offset to compensate further integration into paper)
Typ. required activation field strength read (at +25°C)	94 dBμA/m #
Typ. required activation field strength write (at +25°C)	97 dBμA/m #
Factory programmed Read Only Number	64 bits
Memory (user programmable)	2k bits organized in 64 x 32-bit blocks
Typical programming cycles (at +25°C)	100,000
Data retention time (at +55°C)	> 10 years
Simultaneous Identification of Tags	Up to 50 tags per second (reader/antenna dependent)
Antenna size	45 mm x 76 mm (~1.77 in x ~2.99 in)
Foil width	48 mm ± 0.5 mm (1.89 in ± 0.02 in)
Foil pitch	101.6 mm +0.1mm/-0.4mm (4 in)
Thickness	Chip: 0.355mm (-0.014 in) Antenna: 0.085mm (-0.0033 in)
Base material	Substrate: PET (Polyethylenetherephthalate) Antenna: Aluminum
Smallest bending radius allowed	18 mm (-0.71 in)
Operating temperature	-25°C to +70°C
Storage temperature (single inlay)	-40°C to +85°C (warpage may occur at upper temperature range)
Storage temperature (on reel)	-40°C to +40°C
Delivery	Single row tape wound on cardboard reel with 500 mm diameter Reel outer width: approx. 60 mm (-2.36 in) Reel inner width: approx. 50 mm (-1.97 in) Hub diameter: 76.2 mm (3 in)
Typical quantity of good units per reel	5,000

Note: For highest possible read-out coverage we recommend to operate readers at a modulation depth of 20% or higher

# After integration into paper

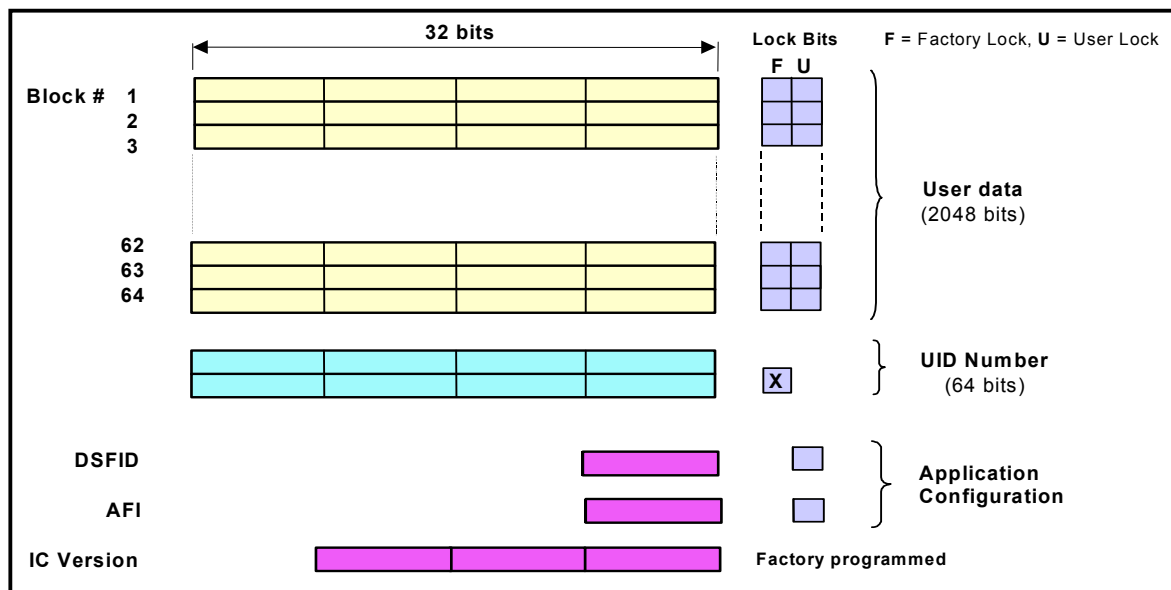
For more information, contact the sales office or distributor nearest you. This contact information can be found on our web site at: <http://www.ti-rfid.com>

## Supported Command Set

Request	Request Code	Request Mode				
		Inventory	Addressed	Non-Addressed	Select	AFI
<b>ISO 15693 Mandatory and Optional Commands</b>						
Inventory	0x01	✓	-	-	-	✓
Stay Quiet	0x02	-	✓	-	-	-
Read_Single_Block	0x20	✓	✓	✓	✓	✓
Write_Single_Block	0x21	-	✓	✓	✓	-
Lock_Block	0x22	-	✓	✓	✓	-
Read_Multi_Blocks	0x23	✓	✓	✓	✓	✓
Write_Multi_Blocks	0x24	-	-	-	-	-
Select Tag	0x25	-	✓	-	-	-
Reset to Ready	0x26	-	✓	✓	✓	-
Write_AFI	0x27	-	✓	✓	✓	-
Lock_AFI	0x28	-	✓	✓	✓	-
Write_DSFID	0x29	-	✓	✓	✓	-
Lock_DSFID	0x2A	-	✓	✓	✓	-
Get_System_info	0x2B	✓	✓	✓	✓	✓
Get_M_Blkc_Sec_St	0x2C	✓	✓	✓	✓	✓
<b>TI Custom Commands</b>						
Write_2_Blocks	0xA2	-	✓	✓	✓	-
Lock_2_Blocks	0xA3	-	✓	✓	✓	-

✓: Implemented  
 -: Not applicable

## Memory Organization



Texas Instruments reserves the right to change its products and services at any time without notice. TI provides customer assistance in various technical areas, but does not have full access to data concerning the uses and applications of customers products. Therefore, TI assumes no responsibility for customer product design or for infringement of patents and/or the rights of third parties, which may result from assistance provided by TI.