

PAD	CONNECTION	PAD	CONNECTION
1	Supply (VDD)	6	Ground
2	Frequency output (CLKOUT)	7	Interrupt output (/INT)
3	Not connected	8	Not connected
4	Serial clock input (SCL)	9	Not connected
5	Data (SDA)	10	FOUT output enable (CLKOE)

Scale 3:1

Specifications

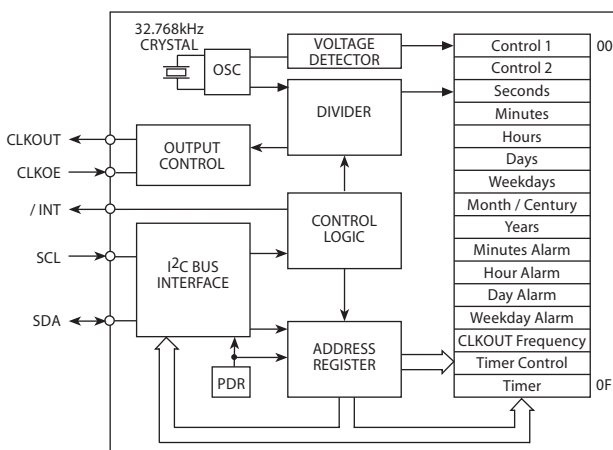
Parameters	Product	Option Codes
	RV8564C2	
Frequencies (selectable): 32.768kHz, 1024Hz, 32Hz & 1Hz	■	
Frequency tolerance: ±10ppm ±20ppm Other	□ ■ □	A B specify
Turnover temperature (T₀): +25°C ±5°C	■	
Frequency / temp coefficient: -0.035ppm/°C ² ±10%	■	
Operating temperature range: -40 to +85°C	■	
Storage temperature range: -55 to +125°C	■	
Supply voltage (V_{DD}): I ² C bus active 1.8 ~ 5.5V	■	
Data holding voltage (V_{DD}): 1.2 ~ 5.5V	■	
Supply current (during access): 200µA max (f _{scl} =100kHz) 800µA max (f _{scl} =400kHz)	■ ■	
Supply current (backup mode): 275nA typ (f _{scl} =0Hz, V _{DD} =3V) 250nA typ (f _{scl} =0Hz, V _{DD} =2V)	■ ■	
Start up time: 3s max	■	
Ageing: ±3ppm max first year	■	
Shock and vibration resistance: ±5ppm, 5,000g, 0.3ms, ½ sine ±5ppm, 20g, 10.0 ~ 2,000Hz	■ ■	
Soldering condition: Reflow, 260°C, 20 sec max	■	

■ Standard. □ Optional - Please specify required code(s) when ordering

Features

- ▶ Equivalent to Epson RX-8564CF
- ▶ Compliant with I²C-Bus interface (400kHz)
- ▶ Built in crystal for adjustment-free operation
- ▶ Programmable alarm, timer and interrupt
- ▶ Low power consumption, low ageing

Block Diagram



Ordering Information

Product + option code

eg: **RV8564C2/B** ±20ppm

Option code X (eg RV8564C2/X) denotes a custom spec.

- ◆ Available on T&R - 1.5k or 3.5k pcs per reel.
- ◆ Refer to our website for T&R and soldering details.
- ◆ The I²C-Bus is a trademark of Philips Electronics NBV