



S2A Thru S2M

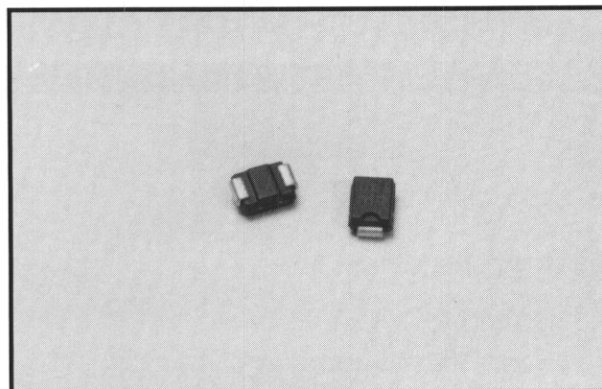
1.5 AMP SURFACE MOUNT GLASS PASSIVATED SILICON RECTIFIER

FEATURES

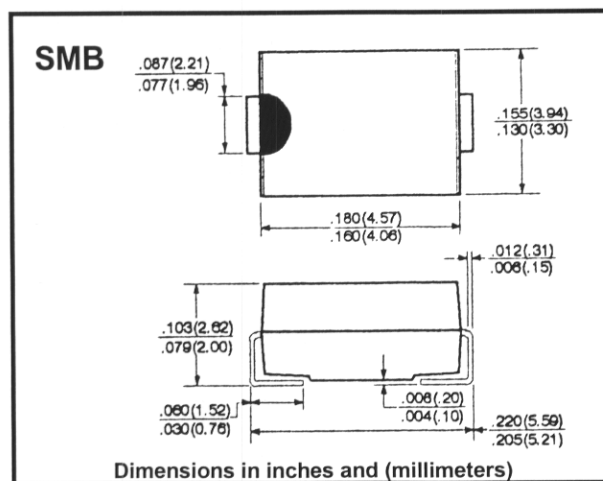
- Rating to 1000V PRV
- For surface mount applications
- Easy pick and place
- Glass passivated junction
- UL recognized 94V-O plastic material
- High temperature soldering: 250 °C/10 seconds at terminal
- Terminal solderable per MIL-STD-202 Method 208
- Surge overload rating to 50A peak

Mechanical Data

- Case: Molded Plastic
- Polarity: Indicated on cathode
- Terminal: Solder plated copper
- Packaging: 12mm tape (EIA STD RS-481)
- Weight: 0.003 ounces, 0.093 grams



Outline Drawing



Maximum Ratings & Characteristics

- Ratings at 25° C ambient temperature unless otherwise specified
- Single phase, half wave, 60Hz, resistive or inductive load
- For capacitive load, derate current by 20%

		S2A	S2B	S2D	S2G	S2J	S2K	S2M	Units
Maximum Recurrent Peak Reverse Voltage	V_{RRM}	50	100	200	400	600	800	1000	V
Maximum RMS Input Voltage	V_{RMS}	35	70	140	280	420	560	700	V
Maximum DC Blocking Voltage	V_{DC}	50	100	200	400	600	800	1000	V
Maximum Average Forward Output Current @ $T_L = 100^\circ\text{C}$	$I_{(AV)}$	1.5							A
Peak Forward Surge Current 8.3 ms Single Half-Sine-Wave Superimposed On Rated Load	I_{FSM}	50							A
Maximum DC Forward Voltage Drop Per Element At 1.5A DC	V_F	1.15							V
Maximum Reverse Current At Rated DC Blocking Voltage per Element @ $T_A = 25^\circ\text{C}$	I_R	5.0							μA
@ $T_A = 125^\circ\text{C}$		125							μA
Typical Junction Capacitance *(See Note)	C_J	20							pF
Maximum Thermal Resistance**(See Note)	$R_{(THJL)}$	20							$^\circ\text{C/W}$
Operating Temperature Range	T_J	-65 to +150							$^\circ\text{C}$
Storage Temperature Range	T_{STG}	-65 to +150							$^\circ\text{C}$

Note: *Measured at 1.0 MHz and applied reverse voltage of 4.0V DC

**Thermal resistance junction to lead