

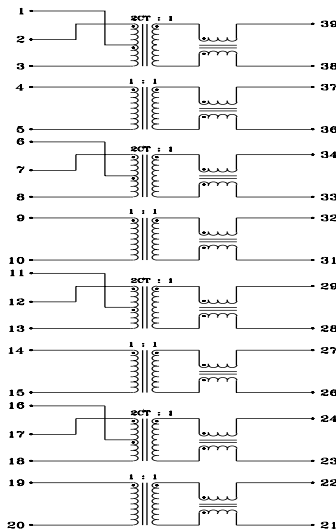
HIGH SPEED LAN MAGNETICS

- Designed for use with Microlinear ML6692/6694/6698 PHY transceiver in 100 Mbps only applications
- Quad, 4-port design offers highest degree of board space, performance and cost efficiency
- 40 pin low profile, surface mount packaging, rated to 225°C peak IR reflow temperature
- 2000 Vrms isolation

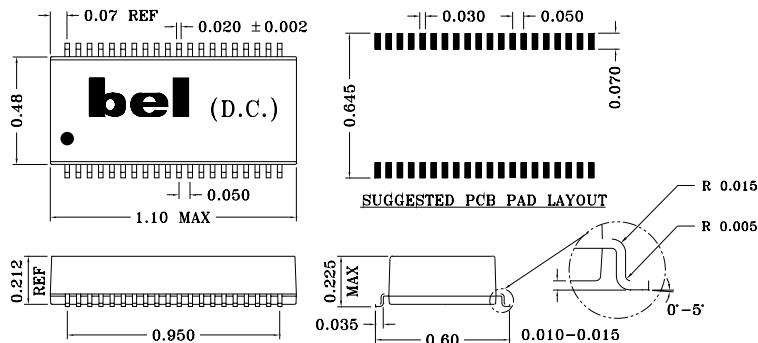
ELECTRICALS AT 25°C

Part No.	Insertion Loss (dB) Typ	Return Loss (dB) Min	Return Loss (dB) Min	Return Loss (dB) Min	Crosstalk (dB) Min	Common to Diff Mode Rej (dB) Min		Common to Common Mode Rej (dB) Min	
	1MHz-100MHz	1MHz-30MHz	30MHz-60MHz	60MHz-80MHz		30MHz	100MHz	30MHz	100MHz
S558-5999-68	-1.0	-16	-16-20(logf/30MHz)	-10	-35	-50	-40	-40	-30

SCHEMATIC



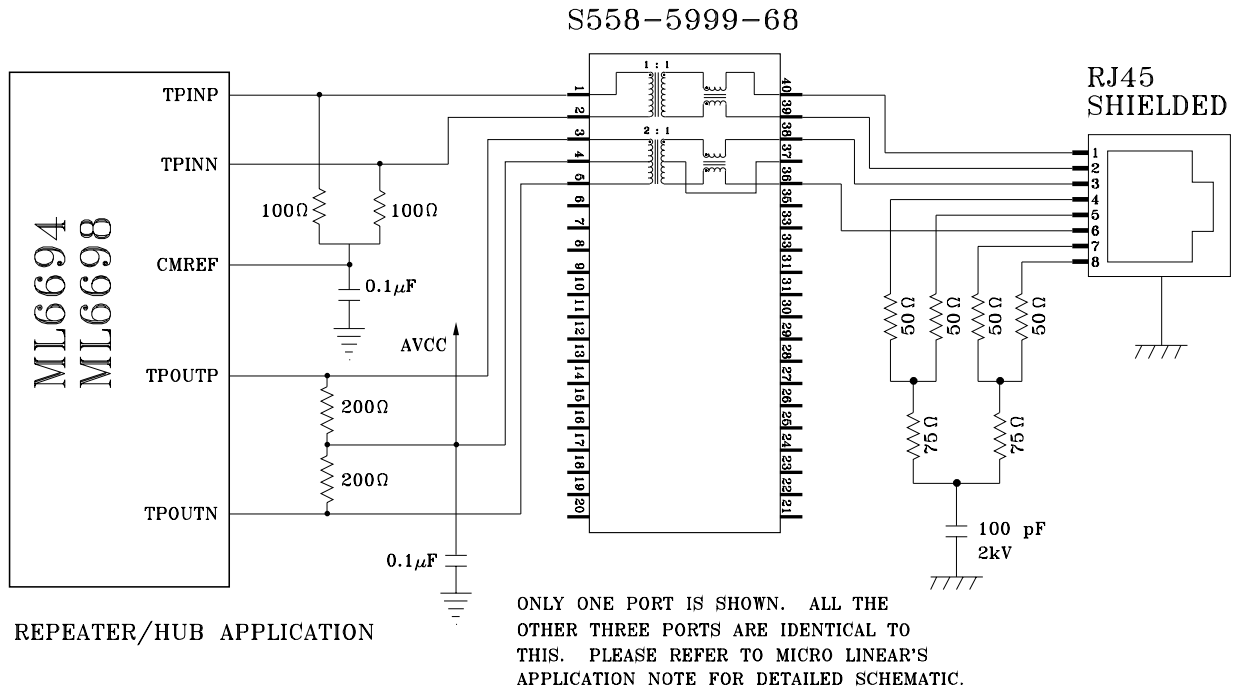
MECHANICAL



Specifications subject to change without notice.

960018A

APPLICATION CIRCUIT



APPLICATION NOTES

- This Bel part type has been designed for use in 100 Mbps data transmission systems over category 5 UTP/STP cable. This Bel part type provides superior EMI noise suppression, high voltage isolation, wave shaping and fast, but controlled rise times. This part complies with IEEE 802.3 standards, which includes 350μH OCL (inductance) when 8mA of DC bias is applied.
- This part type is recommended for use with the Microlinear ML6692/6694/6698 100 Mbps PHY transceivers. This quad, 4-port device provides a cost efficient solution for multi-port repeater or switch applications without performance degradation versus similar single port solutions.
- Bel's low profile, surface mount packaging is ideal for high speed pick and place machinery. Parts can be shipped on tape and reel for high speed placement. Construction processes have been implemented for thermal compatibility with high temperature IR reflow assembly processing. Post dipping of leads assist with PC board solderability. Each part is optically inspected to meet rigid coplanarity requirements.

Corporate Office

Bel Fuse Inc.
198 Van Vorst Street, Jersey City, NJ 07302-4496
Tel: 201-432-0463
Fax: 201-432-9542
E-Mail: BelFuse@belfuse.com
Internet: <http://www.belfuse.com>

Far East Office

Bel Fuse Ltd.
8F/8 Luk Hop Street
San Po Kong
Kowloon, Hong Kong
Tel: 852-2328-5515
Fax: 852-2352-3706

European Office

Bel Fuse Europe Ltd.
Preston Technology Management Centre
Marsh Lane, Preston PR1 8UD
Lancashire, U.K.
Tel: 44-1772-556601
Fax: 44-1772-888366