

- Designed to comply with the requirements of GR1089, UL1950, EN60950, BABT and CSA950 to provide a supplementary insulation barrier with a working voltage of 250V
- UL File Number E150991
- Minimum interwinding breakdown voltage of 1500 Vrms
- Operating and storage temperature range: -40° to +85° C
- Meets IEC 695, 2-2 flammability requirements
- PWB Process Capability: standard printed wiring board assembly techniques, total-immersion cleaning
- Reliability testing: shock, vibration, temperature cycling, temperature - humidity - bias

ELECTRICAL SPECIFICATIONS AT 25° C

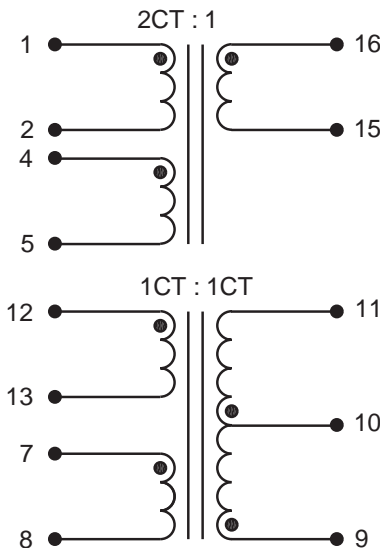
Part Number	Turns Ratio ±2%		Inductance ¹ µH min		Leakage Inductance ² nH max		DCR Ω max		Interwinding Capacitance Cw/w ³ pF max	
	TX	RX	TX	RX	TX	RX	TX	RX	TX	RX
S560-6600-R1	2CT : 1	1CT : 1CT	160	160	100	300	0.5	0.5	20	20

All measurements are made with pins 2 and 3 connected and pins 6 and 7 connected

1. Inductance measured at 10 kHz, 0.01 Vac
2. Leakage inductance measured at 1 MHz, 0.02 Vac
3. Cw/w measured at 1 MHz, 0.02 Vac

SCHEMATIC

S560-6600-R1

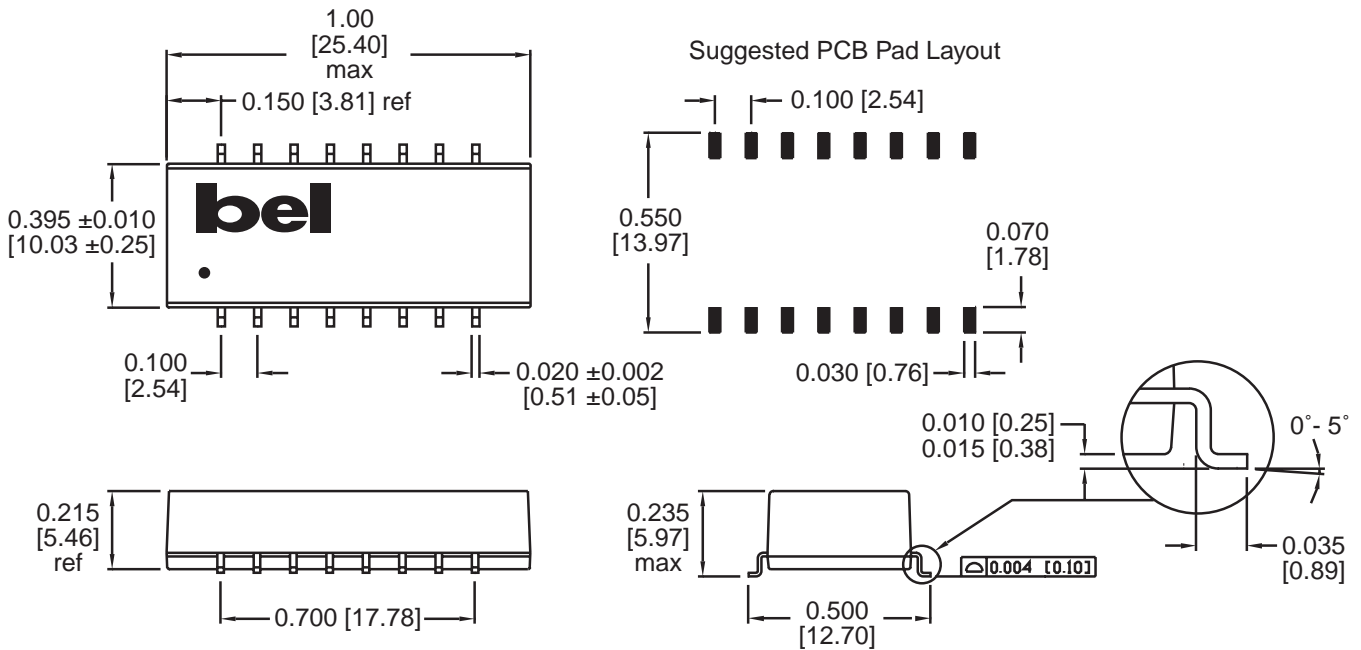


©2001 Bel Fuse Inc. Specifications subject to change without notice. 08.01

TM01354

MECHANICAL

S560-6600-R1



Dimensions are in inches [millimeters].
Standard dimension tolerance is ±0.005 [0.13] unless otherwise noted.

©2001 Bel Fuse Inc. Specifications subject to change without notice. 08.01

CORPORATE

Bel Fuse Inc.
206 Van Vorst Street
Jersey City, NJ 07302
Tel 201-432-0463
Fax 201-432-9542
www.belfuse.com

FAR EAST

Bel Fuse Ltd.
8F / 8 Luk Hop Street
San Po Kong
Kowloon, Hong Kong
Tel 852-2328-5515
Fax 852-2352-3706
www.belfuse.com

EUROPE

Bel Fuse Europe Ltd.
Preston Technology Management Centre
Marsh Lane, Suite G7, Preston
Lancashire, PR1 8UD, U.K.
Tel 44-1772-556601
Fax 44-1772-888366
www.belfuse.com