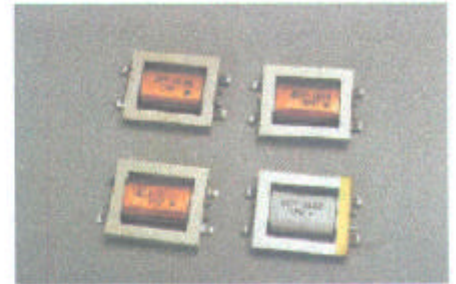


PCMCIA TRANSFORMER

MODEL NO : SCT-1610 / SCT-1611
/ SCT-1612

Suitable for modem speeds up to : 56 Kbps

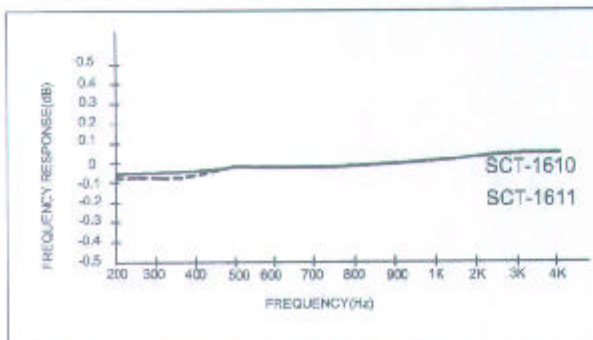
SAFETY:
E182364 



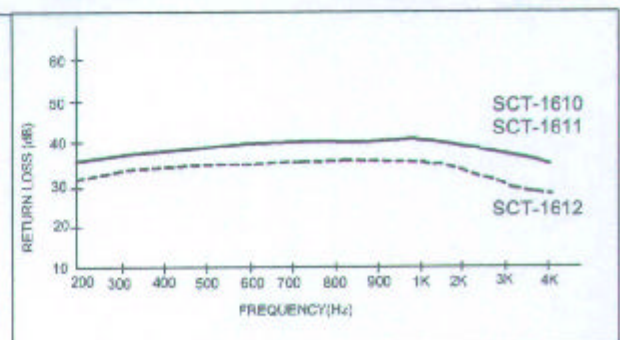
ELECTRICAL SPECIFICATION:

MODEL NO	SCT-1610	SCT-1611	SCT-1612
SUITABLE FOR MODEM SPEEDS UP TO:	56Kbps	56Kbps	56Kbps
IMPEDANCE RATIO (PRI : SEC)	600Ω:301Ω	600Ω:301Ω	600Ω:301Ω
DC RESISTANCE (±10%)	PRI: 150Ω SEC: 150Ω	PRI: 150Ω SEC: 150Ω	PRI: 155Ω±12% SEC: 145Ω±12%
INDUCTANCE@250HZ, 1VRMS, PARALLEL	5.5H MIN	5.5H MIN	3.5H MIN
TURN RATIO	1:1	1:1	1:1
INSERTION LOSS @1KHZ, 0dBm	3dB±0.2dB	3dB±0.2dB	3.2dB±0.2dB
RETURN LOSS @ 200HZ~4KHZ @ 70HZ~10KHZ	30dB MIN 25dB MIN	30dB MIN 25dB MIN	30dB MIN
LONGITUDINAL BALANCE @ 200HZ~4KHZ	65dB MIN	65dB MIN	65dB MIN
TOTAL HARMONIC DISTORTION @ 600HZ, -10dBm @150HZ, -3dBm	-86dB MAX -70dB TYP	-86dB MAX -70dB TYP	-82dB MAX -66dB TYP
FREQUENCY RESPONSE @ 200HZ~10KHZ, REF TO 1KHZ @ 70HZ~20KHZ	±0.1dB ±0.2dB	±0.1dB ±0.2dB	±0.15dB @200HZ~10KHZ
HI-POT (VAC FOR 2 SECONDS) PRI : SEC	1250 VAC	1250 VAC	1650 VAC

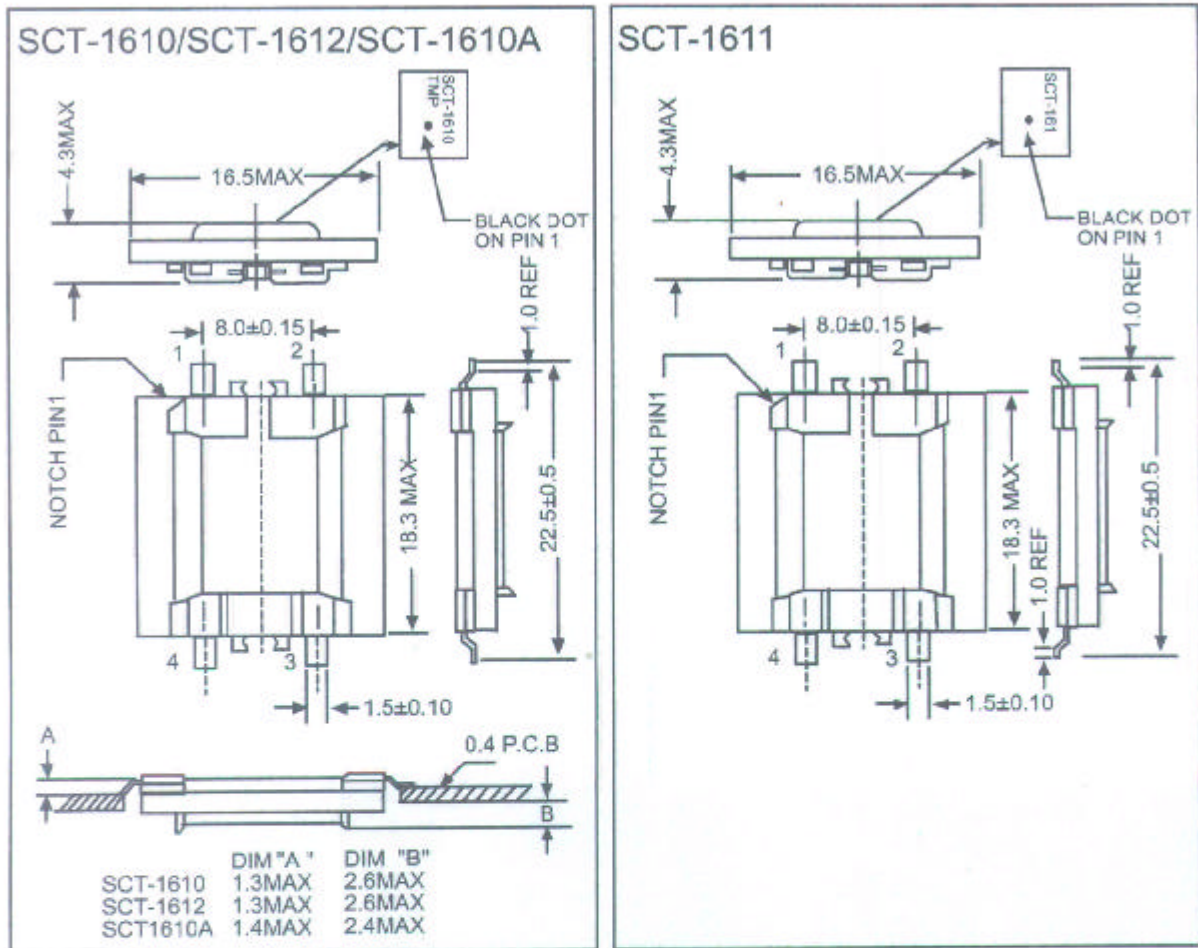
FREQUENCY RESPONSE CURVE:



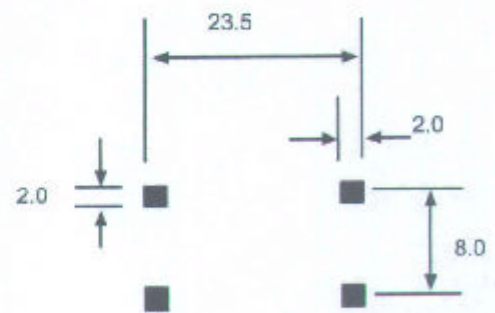
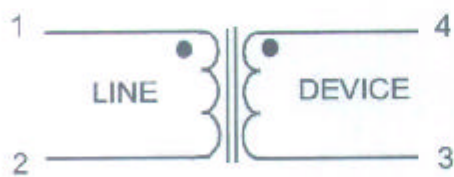
RETURN LOSS VS FREQUENCY CURVE



PHYSICAL DIMENSION: (UNIT:mm)



FIGURE



SURFACE MOUNT PATTERN
(COMPONENT SIDE)