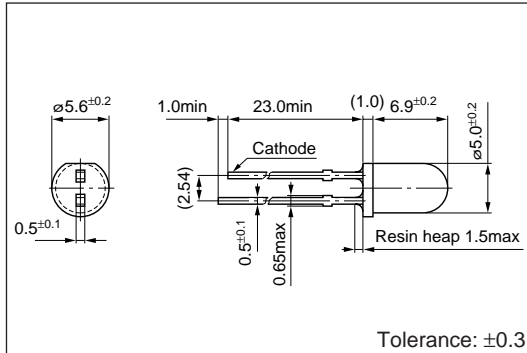


5 ϕ Round Wide-directivity LED

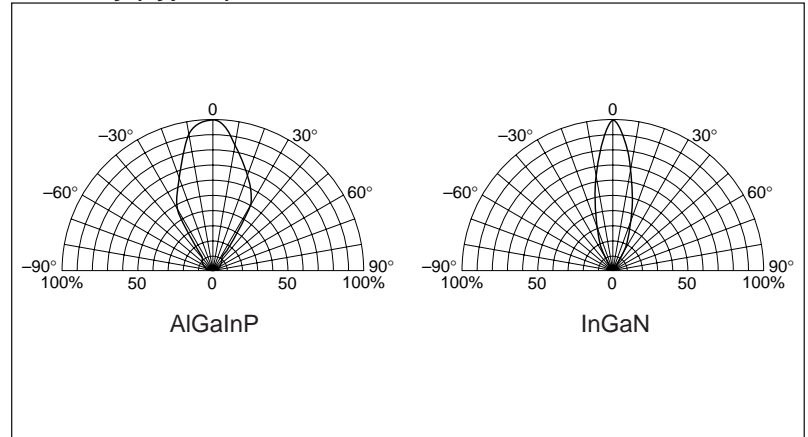
SEL1010XM Series

External Dimensions

(Unit: mm)



Directivity (Typical)



Absolute maximum ratings (Ta=25°C)

Symbol	Unit	Rating		Condition
		AlGaInP	InGaN	
I_F	mA	30		
ΔI_F	mA/°C	-0.45		Above 25°C
I_{FP}	mA	100		f=1kHz, tw≤100μs
V_R	V	4	5	
Top	°C	-30 to +85	-25 to +85	
Tstg	°C	-30 to +100		

Electrical Optical characteristics (Ta=25°C)

Emitting color	Part Number	Lens color	Forward voltage			Reverse current		Intensity		Peak wavelength		Spectrum half width		Chip material
			V_F (V)		Condition I_F (mA)	I_R (μA) max	V_R (V)	I_V (mcd) typ	Condition I_F (mA)	λ_P (nm) typ	Condition I_F (mA)	$\Delta\lambda$ (nm) typ	Condition I_F (mA)	
			typ	max										
Ultra-high-intensity red	SELU1210CXM	Clear	2.0	2.5	10	100	4	280	20	635	10	15	10	AlGaInP
Ultra-high-intensity amber	SELU1810CXM	Clear						570	20	615	10	15	10	
Ultra-high-intensity pure green	SELU1D10CXM	Clear	3.3	4.0	20	10	5	2000	20	525	10	35	10	InGaN
Ultra-high-intensity blue	SELU1E10CXM	Clear						600	20	470	10	35	10	