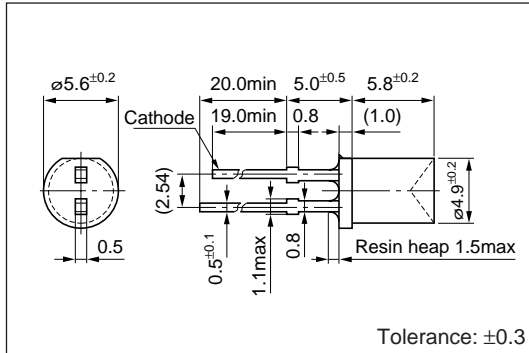


5 ϕ Inverted-cone LED for surface illumination

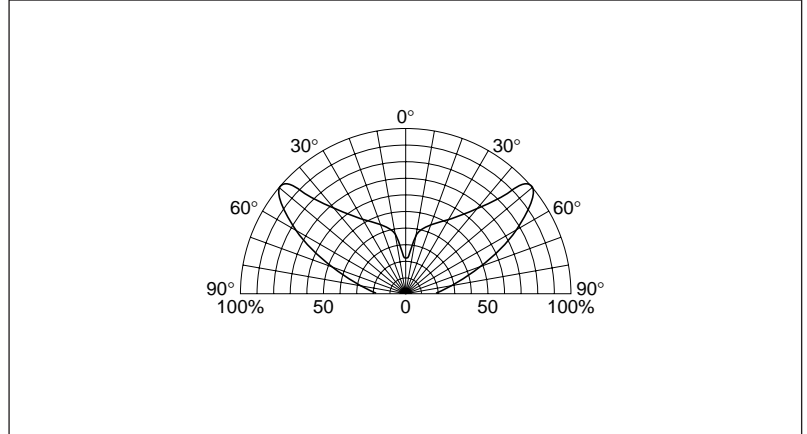
SEL1013 Series

External Dimensions

(Unit: mm)



Directivity (Typical)



Absolute maximum ratings (Ta=25°C)

Symbol	Unit	Rating	Condition
I_F	mA	30	
ΔI_F	mA/°C	-0.45	Above 25°C
I_{FP}	mA	100	f=1kHz, tw \leq 100 μ s
V_R	V	3	
Top	°C	-30 to 85	
Tstg	°C	-30 to 100	

Electrical Optical characteristics (Ta=25°C)

Emitting color	Part Number	Lens color	Forward voltage			Reverse current		Intensity		Peak wavelength		Spectrum half width		Chip material
			V_F (V)		Condition I_F (mA)	I_R (μ A) max	Condition V_R (V)	I_V (mcd) typ	Condition I_F (mA)	λ_P (nm) typ	Condition I_F (mA)	$\Delta\lambda$ (nm) typ	Condition I_F (mA)	
			typ	max										
Red	SEL1213C	Clear	1.9	2.5	10	50	3	7.0	20	630	10	35	10	GaAsP
Amber	SEL1813A	Transparent orange	1.9	2.5	10	50	3	8.0	20	610	10	35	10	
Orange	SEL1913K	Transparent light orange	1.9	2.5	10	50	3	8.0	20	587	10	33	10	
Yellow	SEL1713K	Transparent yellow	2.0	2.5	10	50	3	15	20	570	10	30	10	GaP
Green	SEL1413E	Transparent green	2.0	2.5	10	50	3	12	20	560	10	20	10	
Pure green	SEL1513E	Transparent light green	2.0	2.5	10	50	3	5.0	20	555	10	20	10	