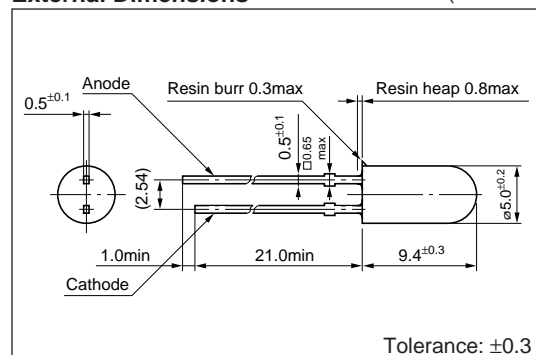


5 ϕ Round Narrow-directivity LED (Direct Mount)

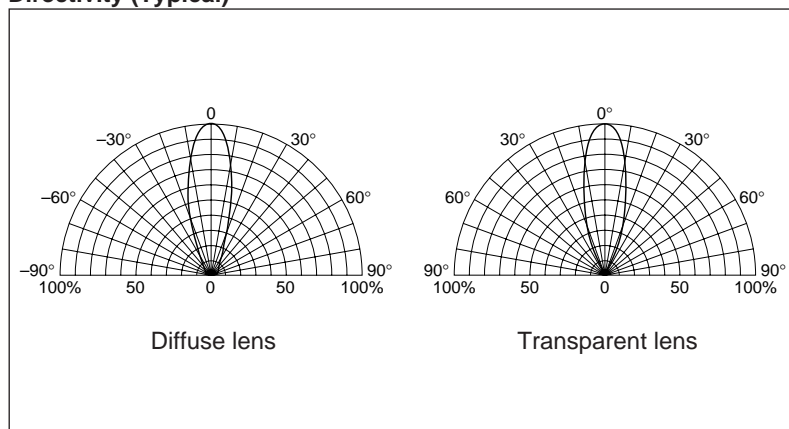
SEL1050M Series

External Dimensions

(Unit: mm)



Directivity (Typical)



Absolute maximum ratings (Ta=25°C)

Symbol	Unit	Rating			Condition
		GaP/GaAsP	AlGaInP	InGaN	
I _F	mA	30			
ΔI _F	mA/°C	-0.45			Above 25°C
I _{FP}	mA	100			f=1kHz, t _w ≤100μs
V _R	V	3	4	5	
Top	°C	-30 to +85		-25 to +85	
T _{stg}	°C	-30 to +100			

Electrical Optical characteristics (Ta=25°C)

Emitting color	Part Number	Lens color	Forward voltage		Condition	Reverse current		Intensity		Peak wavelength		Spectrum half width		Chip material
			V _F	(V)		I _R	Condition	I _v	Condition	λ _P	Condition	Δλ	Condition	
			typ	max	I _F	(mA)	(μA)	V _R	(mcd)	I _F	(nm)	I _F	(nm)	
Ultra-high-intensity red	SELU1250CM	Clear	2.0	2.5	10	100	4	900	20	635	10	15	10	AlGaInP
Red	SEL1250SM	Transparent red	1.9	2.5	10	50	3	75	20	630	10	35	10	GaAsP
	SEL1250RM	Diffused red						48						
Amber	SEL1850AM	Transparent orange	1.9	2.5	10	50	3	90	20	610	10	35	10	GaAsP
	SEL1850DM	Diffused orange						60						
Orange	SEL1950KM	Transparent orange	1.9	2.5	10	50	3	96	20	587	10	33	10	
Green	SEL1450EKM	Transparent green	2.0	2.5	10	50	3	190	20	560	10	20	10	GaP
	SEL1450GM-YG	Diffused green						120						
Pure green	SEL1550CM	Clear	2.0	2.5	10	50	3	72	20	555	10	20	10	
Ultra-high-intensity pure green	SELU1D50CM	Clear	3.3	4.0	20	10	5	6000	20	525	10	35	10	InGaN
Ultra-high-intensity blue	SELU1E50CM	Clear	3.3	4.0	20	10	5	1850	20	470	10	35	10	