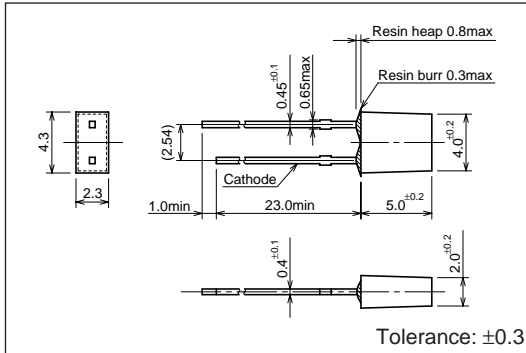


2×4 Rectangular LED

SEL4025 Series

External Dimensions (Unit: mm)



Absolute maximum ratings (Ta=25°C)

Symbol	Unit	Rating	Condition
I _F	mA	30	
ΔI _F	mA/°C	-0.45	Above 25°C
I _{FP}	mA	100	f=1kHz, tw≤100μs
V _R	V	3	
Top	°C	-30 to +85	
Tstg	°C	-30 to +100	

Electrical Optical characteristics (Ta=25°C)

Emitting color	Part Number	Lens color	Forward voltage			Reverse current		Intensity		Peak wavelength		Spectrum half width		Chip material	
			V _F (V)		Condition I _F (mA)	I _R (μA)	Condition V _R (V)	I _v (mcd)	Condition I _F (mA)	λ _P (nm)	Condition I _F (mA)	Δλ (nm)	Condition I _F (mA)		
			typ	max		max		typ		typ		typ			
Red	SEL4225C	Clear	1.9	2.5	10	50	3	12	20	630	10	35	10	GaAsP	
	SEL4225R	Diffused red						5.4							
Amber	SEL4825A	Transparent orange	1.9	2.5	10	50	3	5.4	10	610	10	35	10		
	SEL4825D	Diffused orange						4.0							
Orange	SEL4925A	Transparent orange	1.9	2.5	10	50	3	4.5	10	587	10	33	10		
	SEL4925D	Diffused orange						4.0							
Yellow	SEL4725K	Transparent yellow	2.0	2.5	10	50	3	13	10	570	10	30	10		
	SEL4725Y	Diffused yellow						5.0							
Green	SEL4425E	Transparent green	2.0	2.5	10	50	3	20	20	560	10	20	10		
	SEL4425G	Diffused green						10							
Pure green	SEL4525C	Clear	2.0	2.5	10	50	3	6.6	20	555	10	20	10		GaP