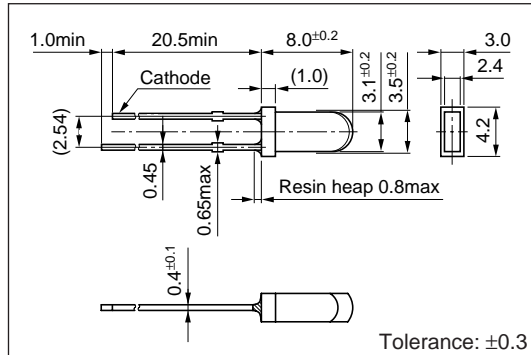


3.1 ϕ Bow-shaped LED (Direct Mount)

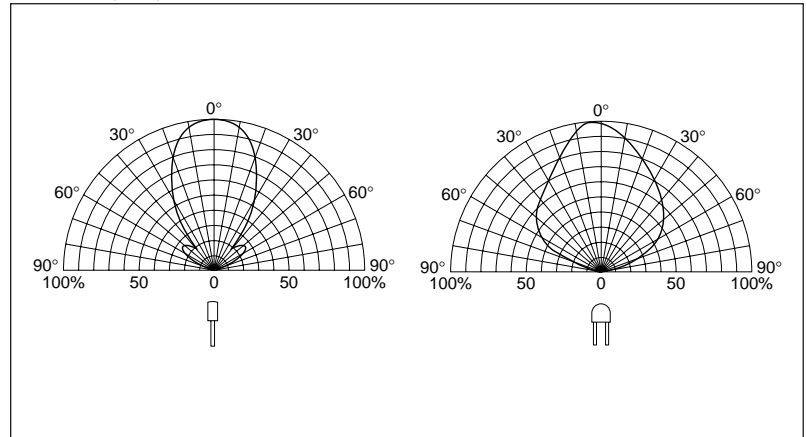
SEL4029 Series

External Dimensions

(Unit: mm)



Directivity (Typical)



Absolute maximum ratings (Ta=25°C)

Symbol	Unit	Rating	Condition
I_F	mA	30	
ΔI_F	mA/°C	-0.45	Above 25°C
I_{FP}	mA	100	$f=1\text{kHz}$, $t_w \leq 100\mu\text{s}$
V_R	V	3	
Top	°C	-30 to +85	
Tstg	°C	-30 to +100	

Electrical Optical characteristics (Ta=25°C)

Emitting color	Part Number	Lens color	Forward voltage		Reverse current		Intensity		Peak wavelength		Spectrum half width		Chip material	
			V_F (V)		I_R (μA)	V_R (V)	I_v (mcd)	I_F (mA)	λ_P (nm)	$\Delta\lambda$ (nm)	I_F (mA)			
			typ	max	Condition I_F (mA)	max	Condition V_R (V)	typ	Condition I_F (mA)	typ	Condition I_F (mA)			
Red	SEL4229R	Diffused red	1.9	2.5	10	50	3	21	20	630	10	35	10	GaAsP
Amber	SEL4829A	Transparent orange	1.9	2.5	10	50	3	18	10	610	10	35	10	
Orange	SEL4929A	Transparent orange	1.9	2.5	10	50	3	18	10	587	10	33	10	
Yellow	SEL4729KH	Transparent yellow	2.0	2.5	10	50	3	60	10	570	10	30	10	GaP
Green	SEL4429E	Transparent green	2.0	2.5	10	50	3	60	20	560	10	20	10	