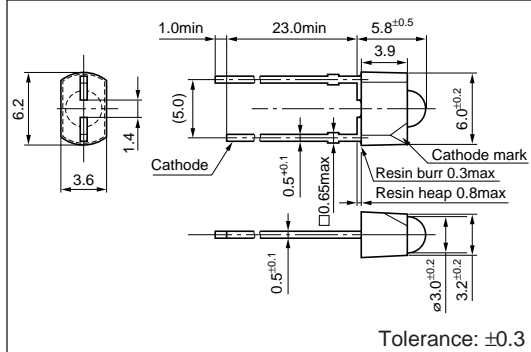


# 5-mm Pitch Lead 3 $\phi$ Lens-type LED (Direct Mount)

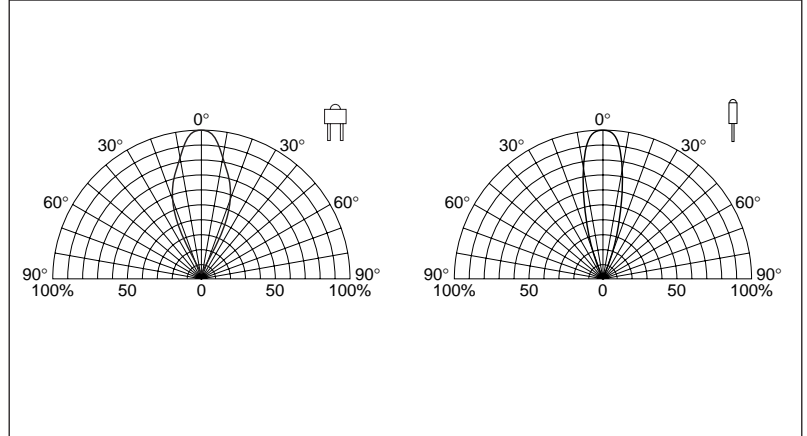
## SEL5021 Series

### External Dimensions

(Unit: mm)



### Directivity (Typical)



### Absolute maximum ratings (Ta=25°C)

Symbol	Unit	Rating	Condition
$I_F$	mA	30	
$\Delta I_F$	mA/°C	-0.45	Above 25°C
$I_{FP}$	mA	100	$f=1\text{kHz}$ , $tw \leq 100\mu\text{s}$
$V_R$	V	3	
Top	°C	-30 to +85	
Tstg	°C	-30 to +100	

### Electrical Optical characteristics (Ta=25°C)

Emitting color	Part Number	Lens color	Forward voltage		Reverse current		Intensity		Peak wavelength		Spectrum half width		Chip material	
			$V_F$ (V)		$I_R$ ( $\mu\text{A}$ )	$V_R$ (V)	$I_v$ (mcd)	$I_F$ (mA)	$\lambda_P$ (nm)	$\Delta\lambda$ (nm)	$I_F$ (mA)			
			typ	max								Condition $I_F$ (mA)		Condition $I_F$ (mA)
Red	SEL5221S	Transparent red	1.9	2.5	10	50	3	35	20	630	10	35	10	GaAsP
Amber	SEL5821A	Transparent orange	1.9	2.5	10	50	3	60	20	610	10	35	10	
Orange	SEL5921A	Transparent orange	1.9	2.5	10	50	3	60	20	587	10	33	10	
Yellow	SEL5721C	Clear	2.0	2.5	10	50	3	90	20	570	10	30	10	GaP
Green	SEL5421E	Transparent green	2.0	2.5	10	50	3	95	20	560	10	20	10	
Pure green	SEL5521C	Clear	2.0	2.5	10	50	3	35	20	555	10	20	10	