

SHINDENGEN

Super Fast Recovery Rectifiers

Dual

SF10LC40

400V 10A

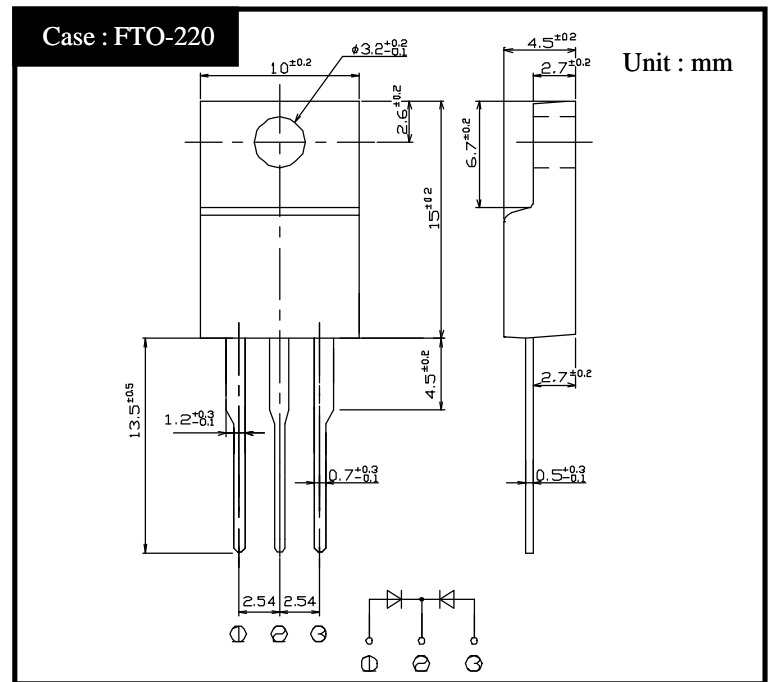
FEATURES

Low noise
trr50ns
Fully Isolated Molding
Dielectric strength 2kV guaranteed

APPLICATION

Switching power supply
Free Wheel
Home Appliances, Office Equipment
Telecommunication, Factory Automation

OUTLINE DIMENSIONS



RATINGS

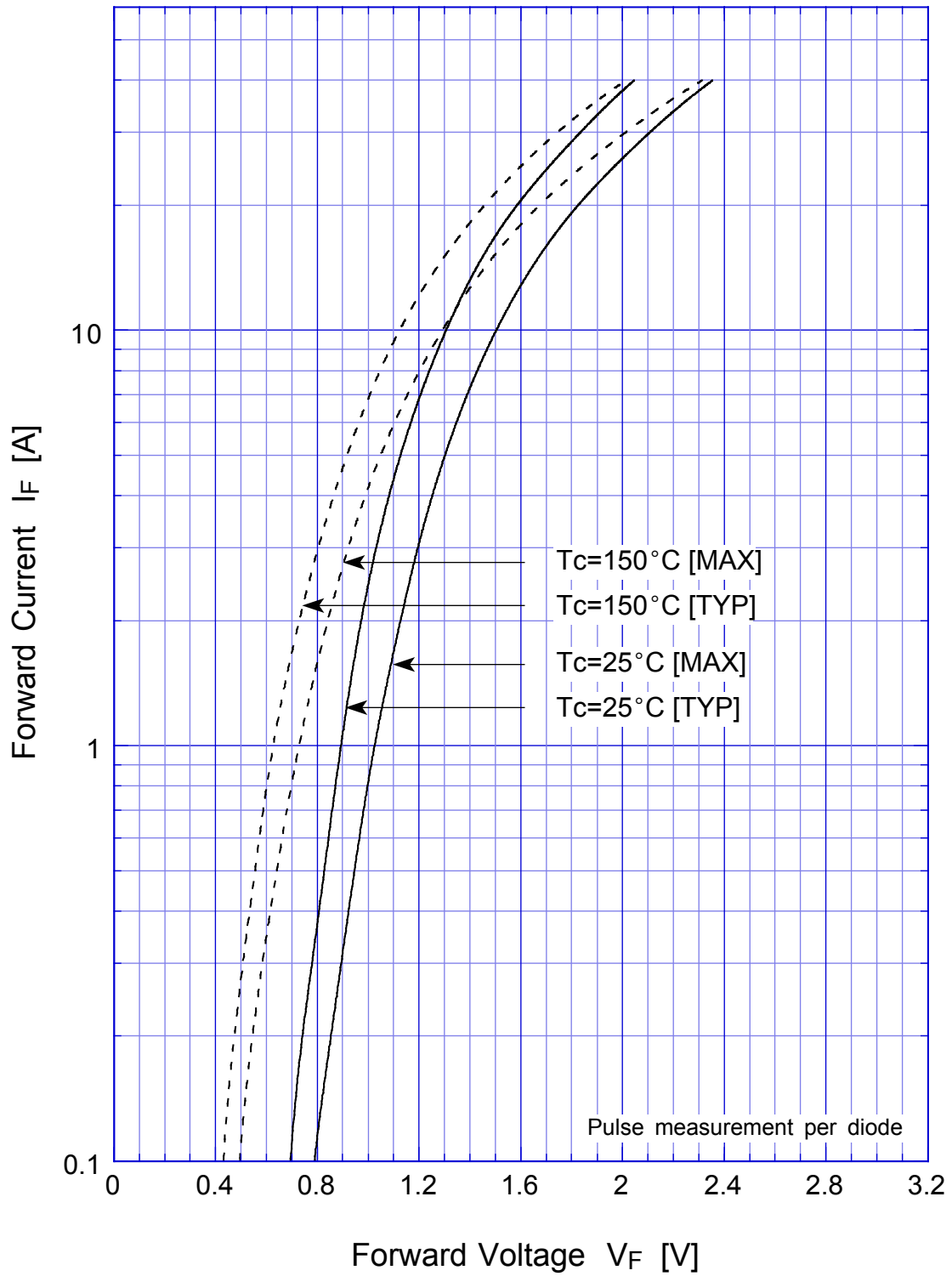
Absolute Maximum Ratings (If not specified Tc=25)

Item	Symbol	Conditions	Ratings	Unit
Storage Temperature	T _{stg}		-40 ~ 150	
Operating Junction Temperature	T _j		150	
Maximum Reverse Voltage	V _{RM}		400	V
Average Rectified Forward Current	I _O	50Hz sine wave, R-load, Rating for each diode I _O /2, T _c =115	10	A
Peak Surge Forward Current	I _{FSM}	50Hz sine wave, Non-repetitive 1 cycle peak value, T _i =25	80	A
Dielectric Strength	V _{dis}	Terminals to case, AC 1 minute	2	kV
Mounting Torque	TOR	(Recommended torque 0.3N·m)	0.5	N·m

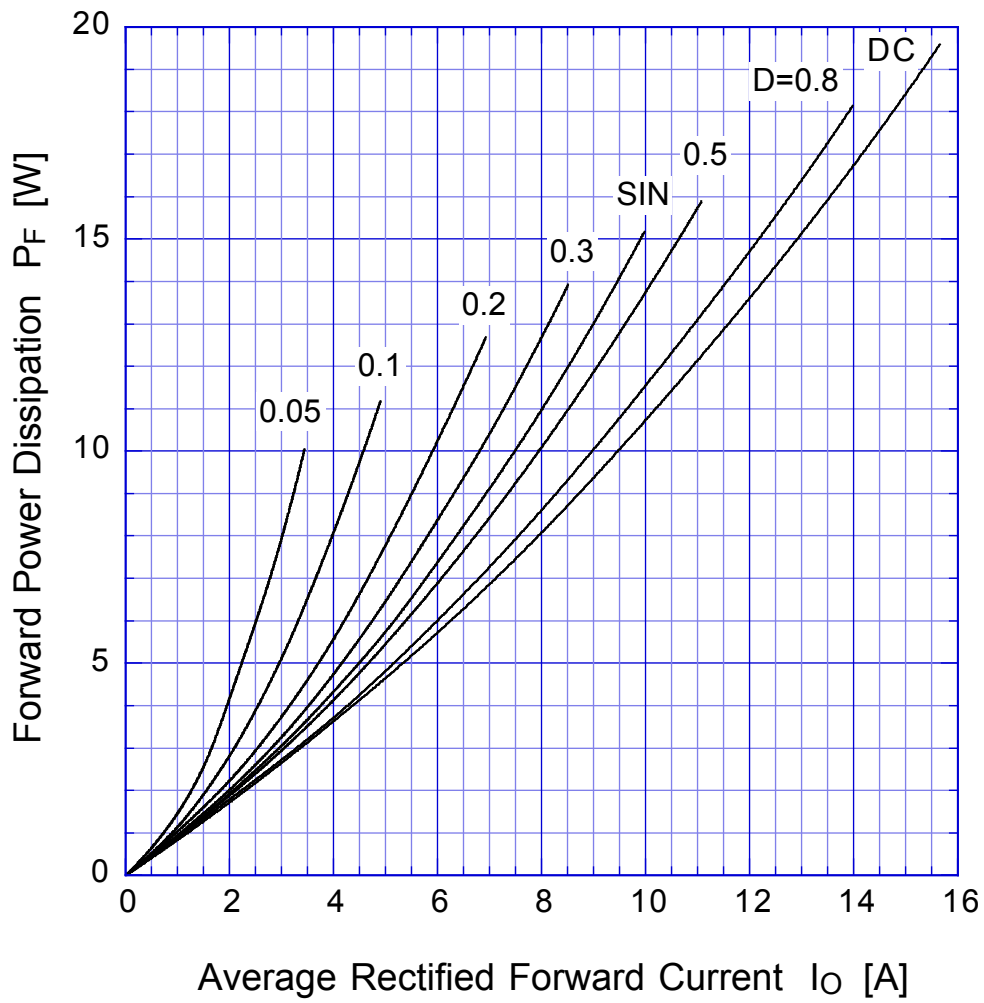
Electrical Characteristics (If not specified Tc=25)

Item	Symbol	Conditions	Ratings	Unit
Forward Voltage	V _F	I _F =5A, Pulse measurement, Rating of per diode	Max.1.3	V
Reverse Current	I _R	V _R =V _{RM} , Pulse measurement, Rating of per diode	Max.10	μA
Reverse Recovery Time	trr	I _F =0.5A, I _R =1A, Rating of per diode	Max.50	ns
Thermal Resistance	θ _{jc}	junction to case	Max.2.3	/W

SF10LC40 Forward Voltage



SF10LC40 Forward Power Dissipation

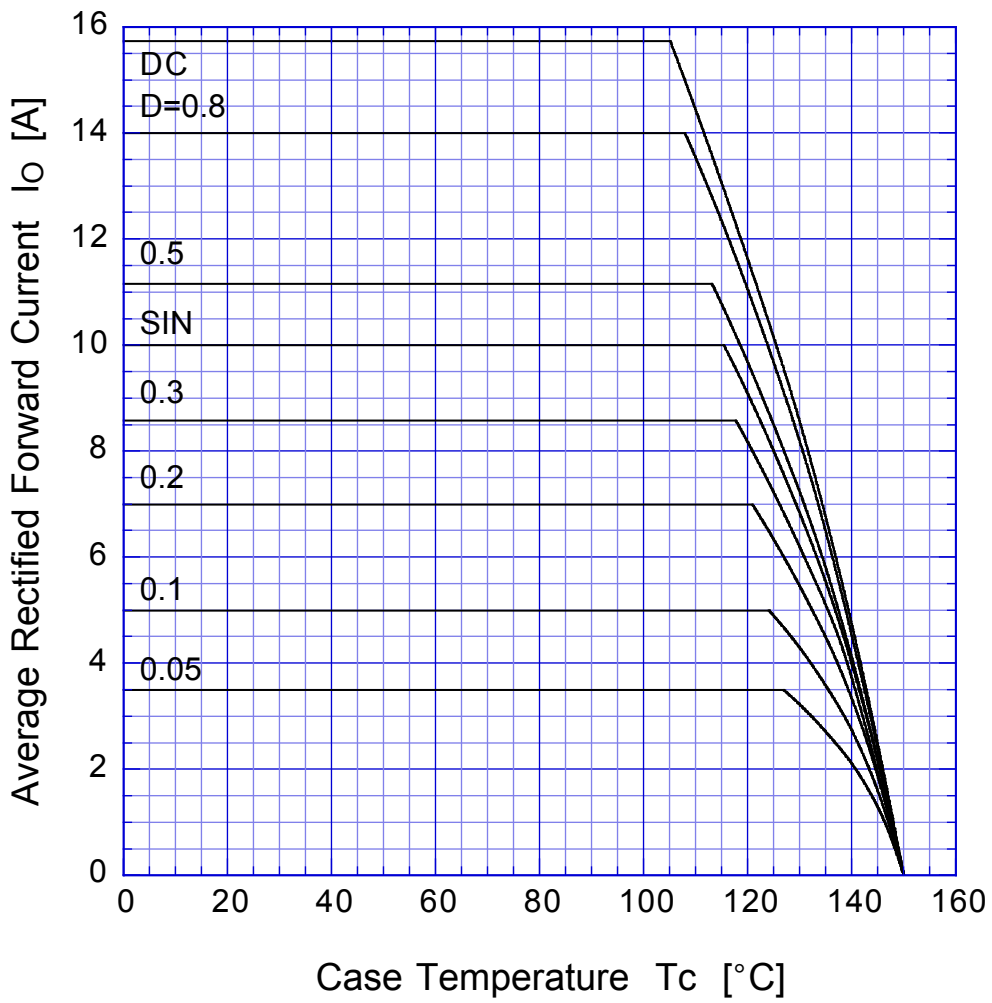


$T_j = T_{jmax}$



SF10LC40

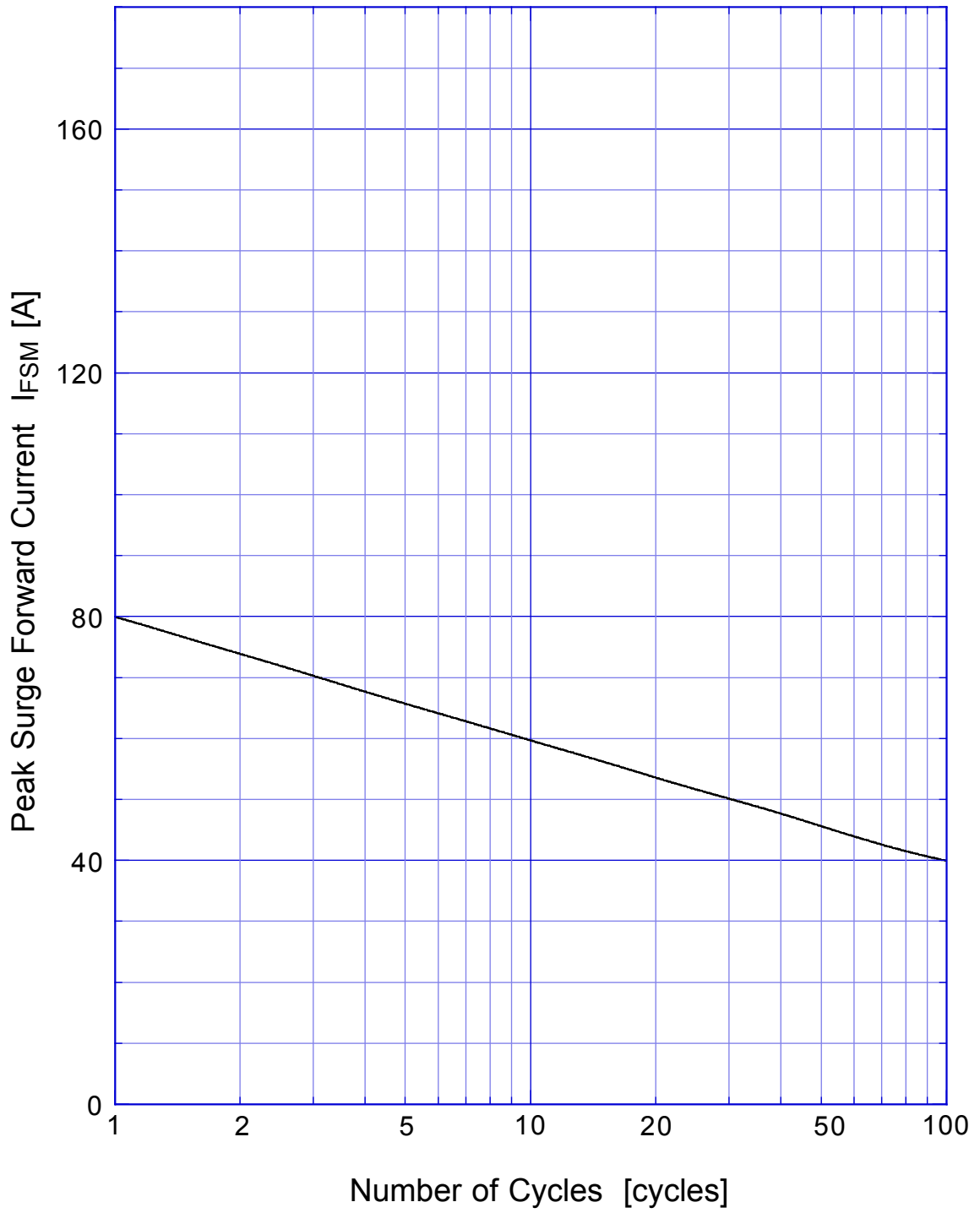
Derating Curve



$$V_R = V_{RM}$$



SF10LC40 Peak Surge Forward Capability



SF10LC40 Junction Capacitance

