

SHINDENGEN

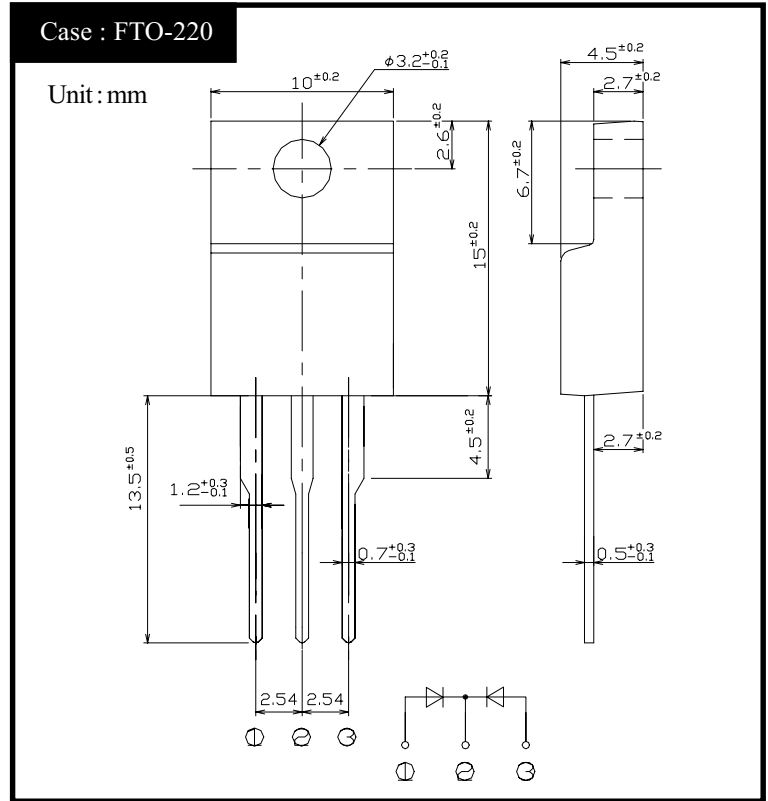
Schottky Rectifiers (SBD)

Dual

SF15JC10

100V 15A

OUTLINE DIMENSIONS



RATINGS

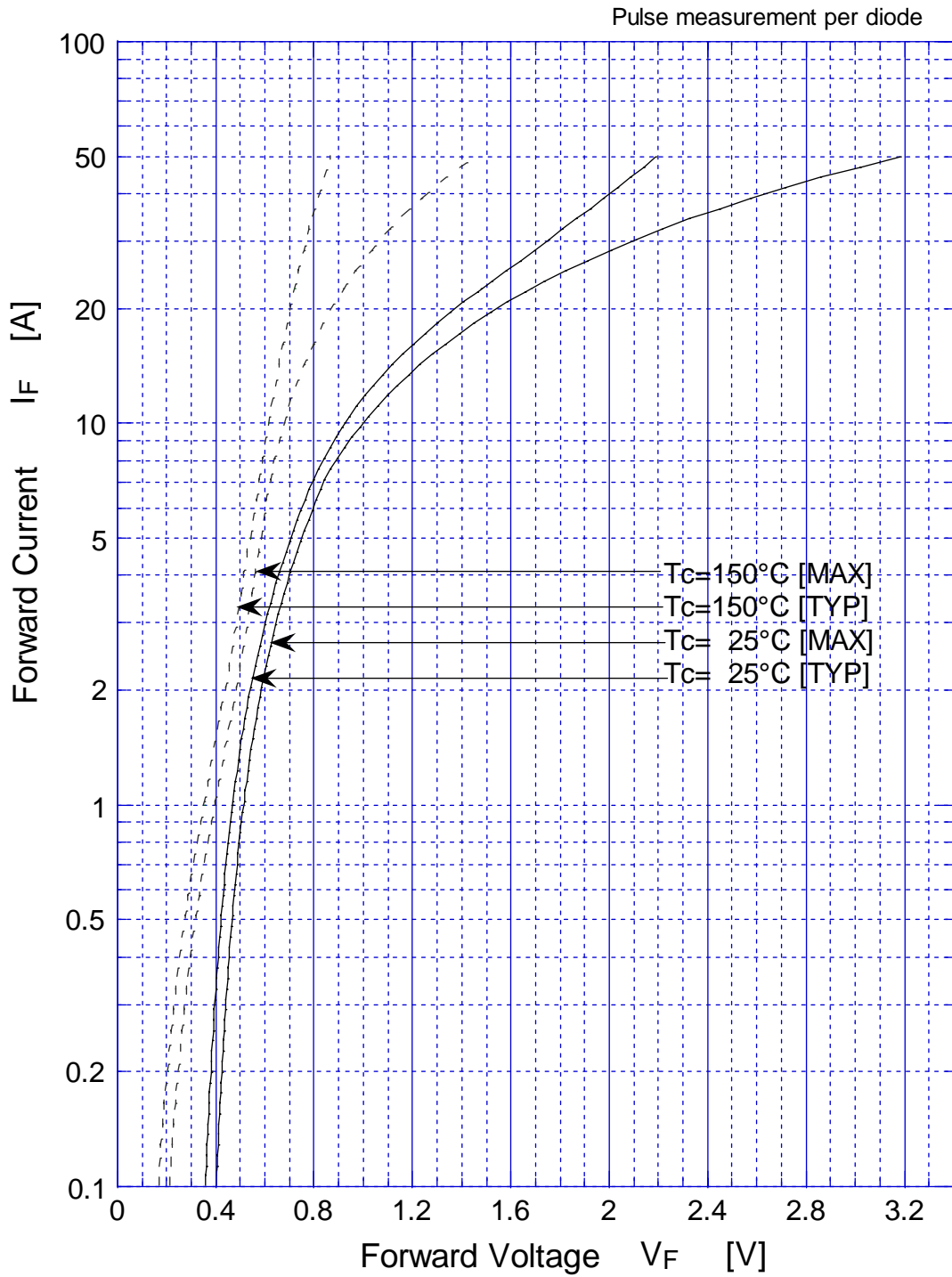
● Absolute Maximum Ratings (If not specified, Tc=25°C)

| Item | Symbol | Conditions | Ratings | Unit |
|-----------------------------------|------------------|---|---------|------|
| Storage Temperature | Tstg | | -55~150 | °C |
| Operating Junction Temperature | Tj | | 150 | °C |
| Maximum Reverse Voltage | V _{RM} | | 100 | V |
| Average Rectified Forward Current | I _O | 50Hz sine wave, R-load, Rating for each diode I _O /2, Tc=124°C | 15 | A |
| Peak Surge Forward Current | I _{FSM} | 50Hz sine wave, Non-repetitive 1 cycle peak value, Tj=25°C | 150 | A |
| Dielectric Strength | V _{dis} | Terminals to case, AC 1 minute | 2.0 | kV |
| Mounting Torque | TOR | (Recommended torque : 0.3N·m) | 0.5 | N·m |

● Electrical Characteristics (If not specified, Tc=25°C)

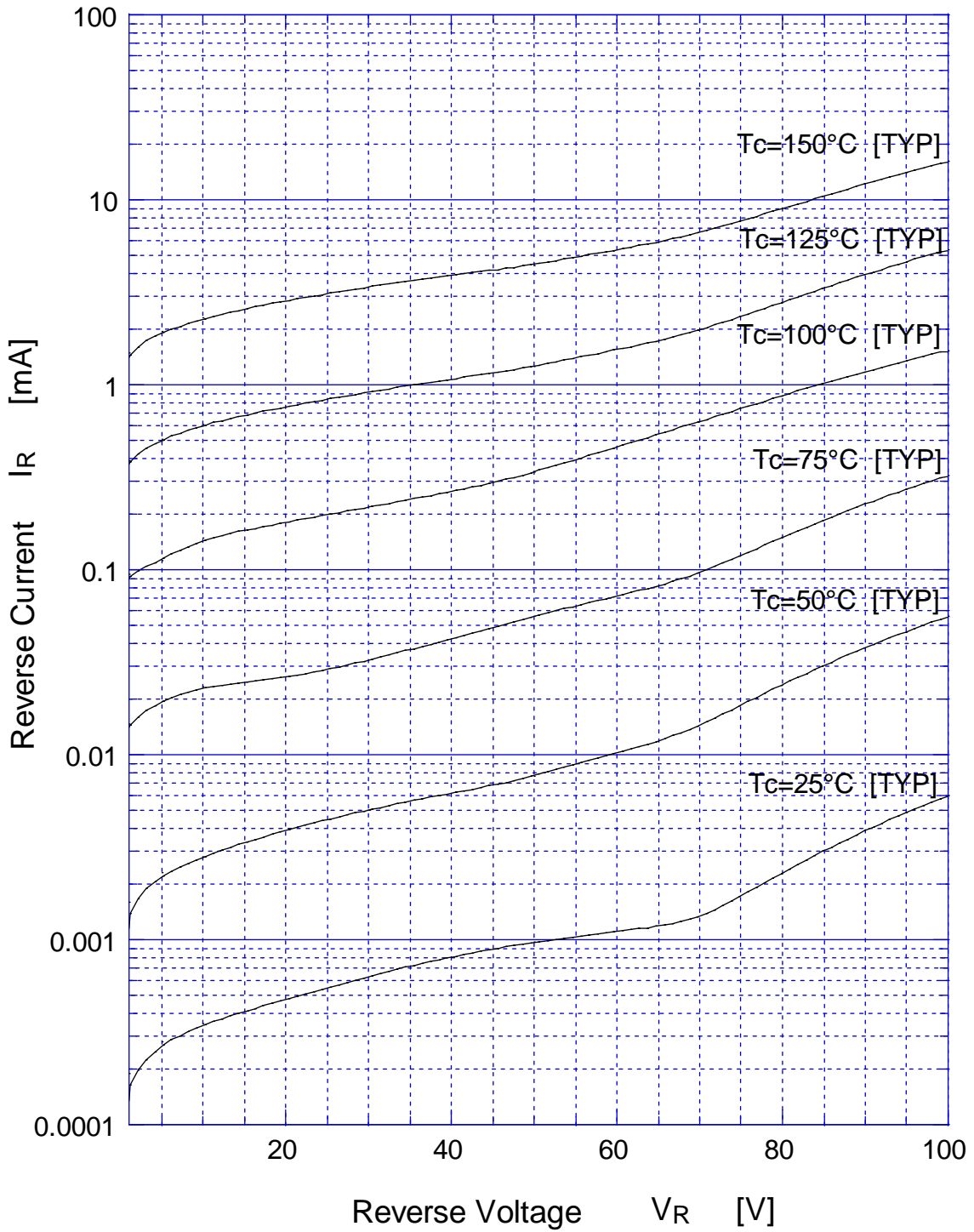
| Item | Symbol | Conditions | Ratings | Unit |
|----------------------|-----------------|--|----------|------|
| Forward Voltage | V _F | I _F =7.5A, Pulse measurement, Rating of per diode | Max 0.86 | V |
| Reverse Current | I _R | V _R =V _{RM} , Pulse measurement, Rating of per diode | Max 0.6 | mA |
| Junction Capacitance | C _j | f=1MHz, V _R =10V, Rating of per diode | Typ 200 | pF |
| Thermal Resistance | θ _{jc} | junction to case | Max 2.0 | °C/W |

SF15JC10 Forward Voltage

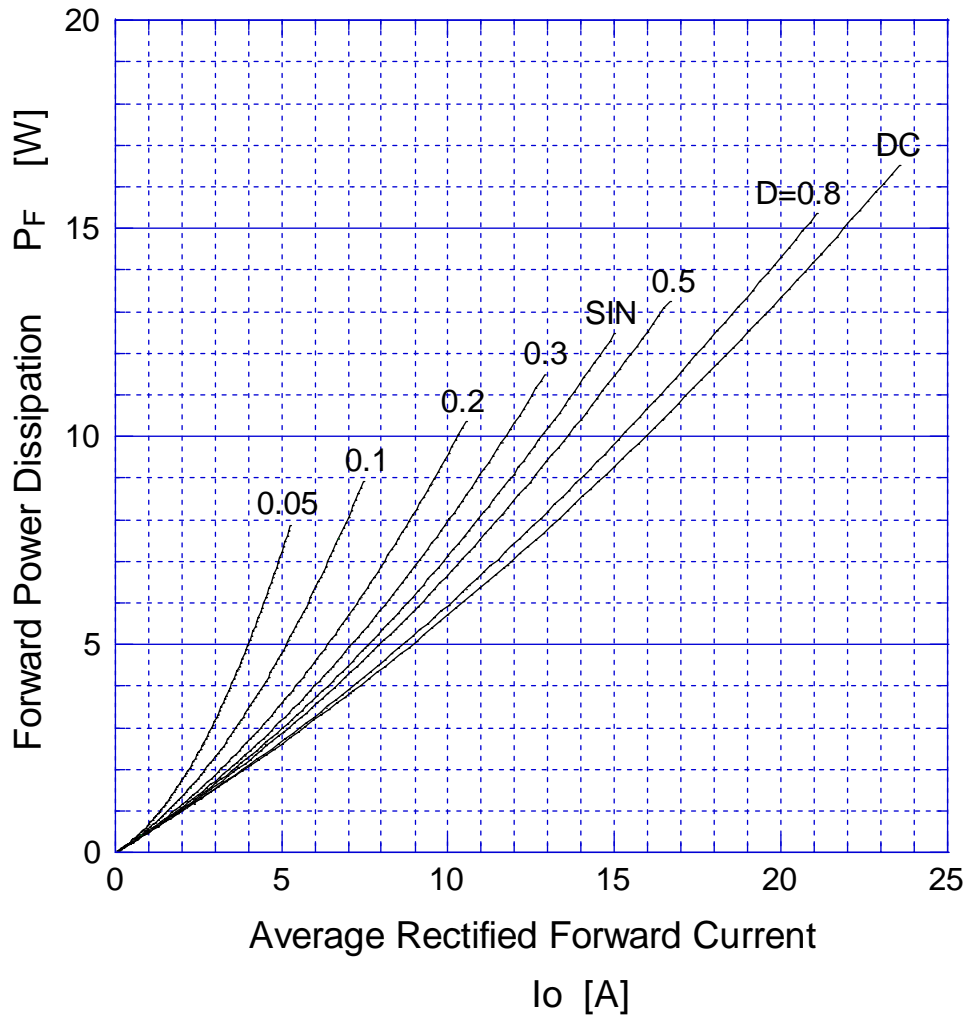


SF15JC10 Reverse Current

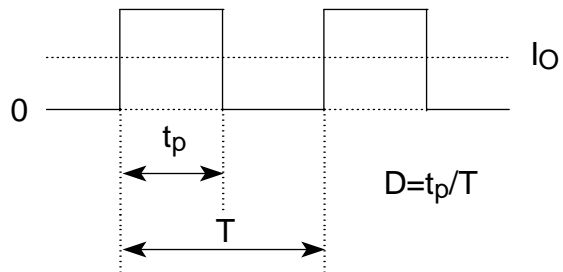
Pulse measurement per diode



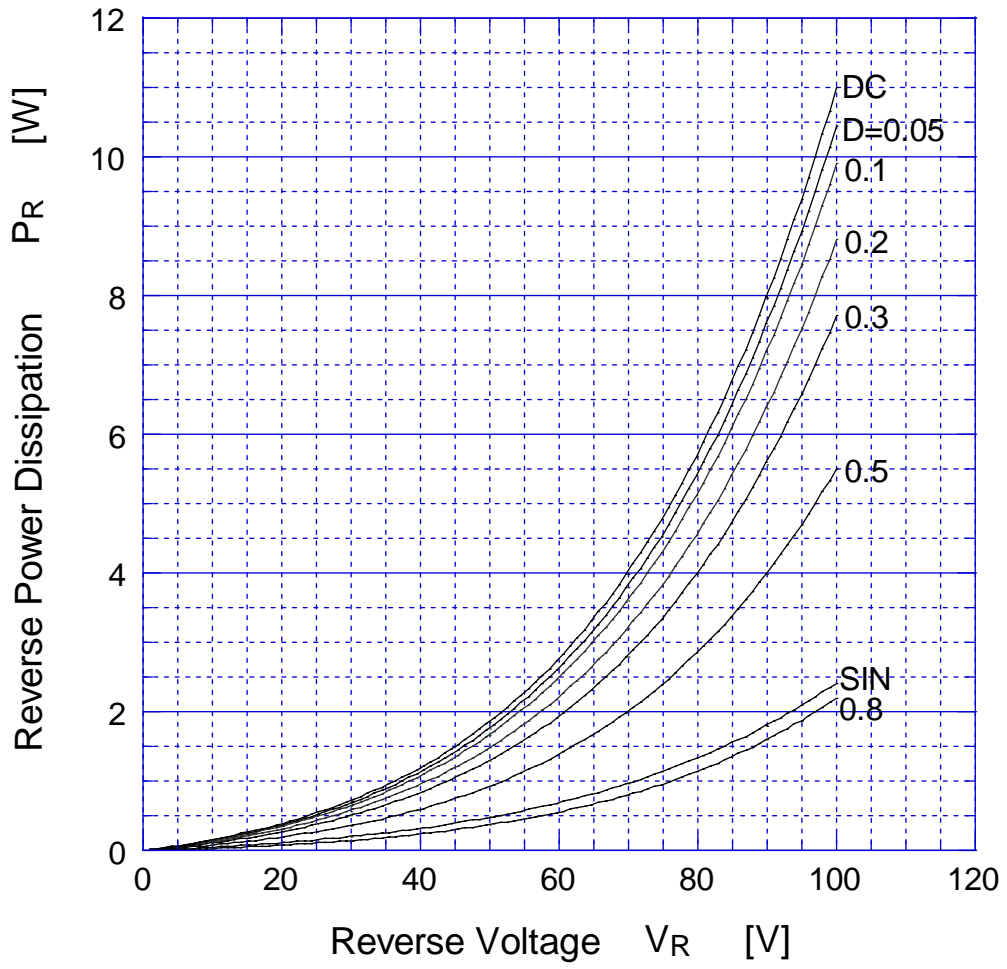
SF15JC10 Forward Power Dissipation



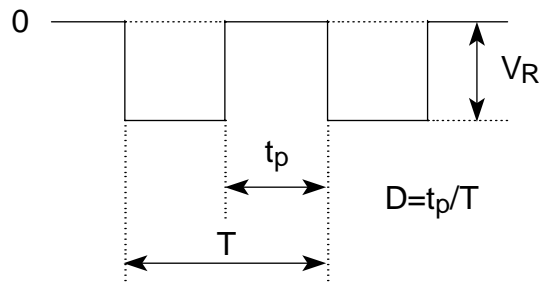
$T_j = 150^\circ\text{C}$



SF15JC10 Reverse Power Dissipation

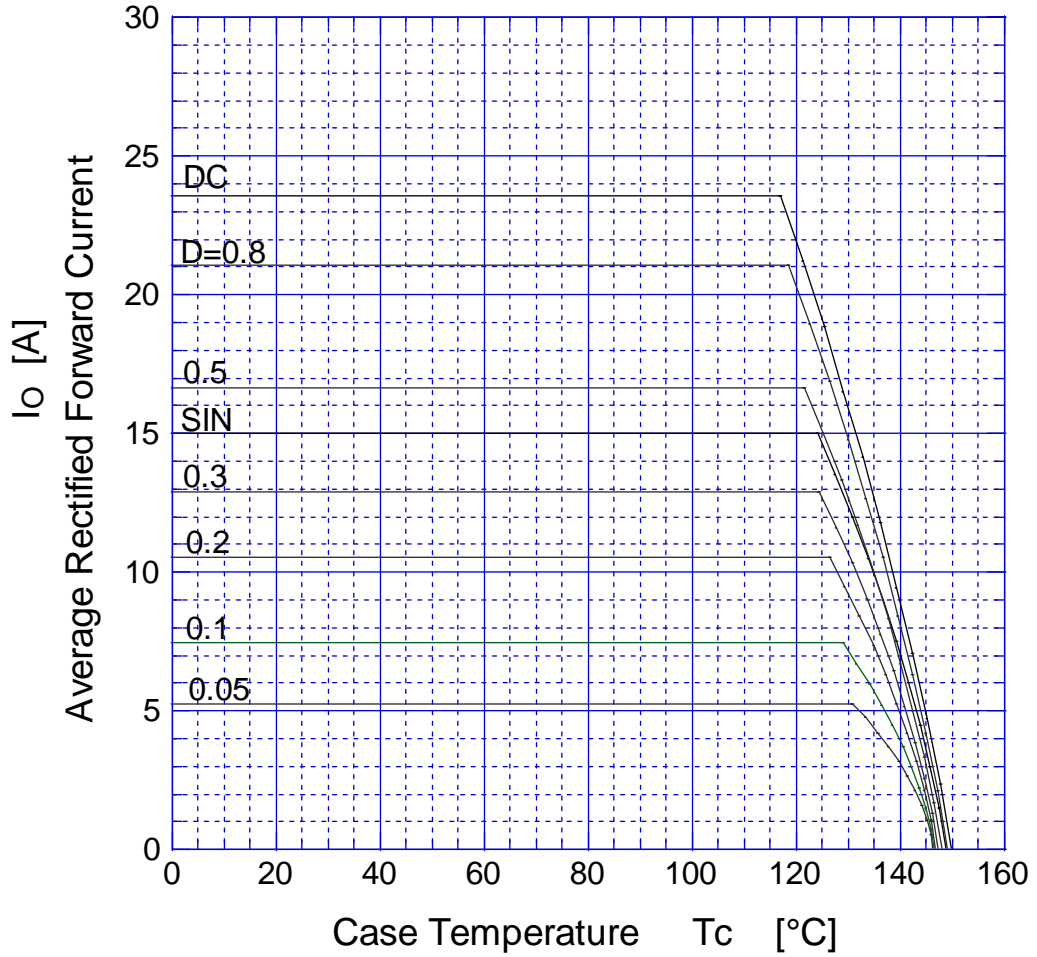


$T_j = 150^\circ\text{C}$

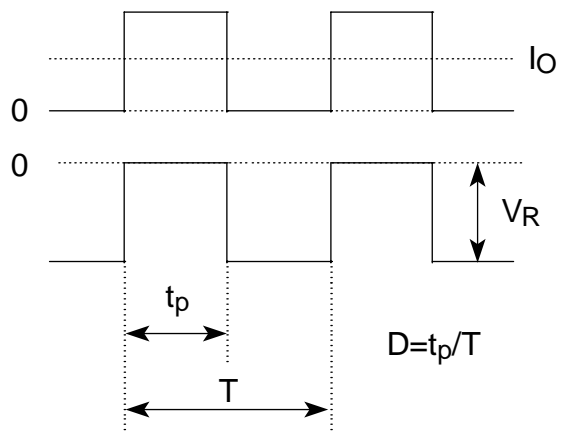


SF15JC10

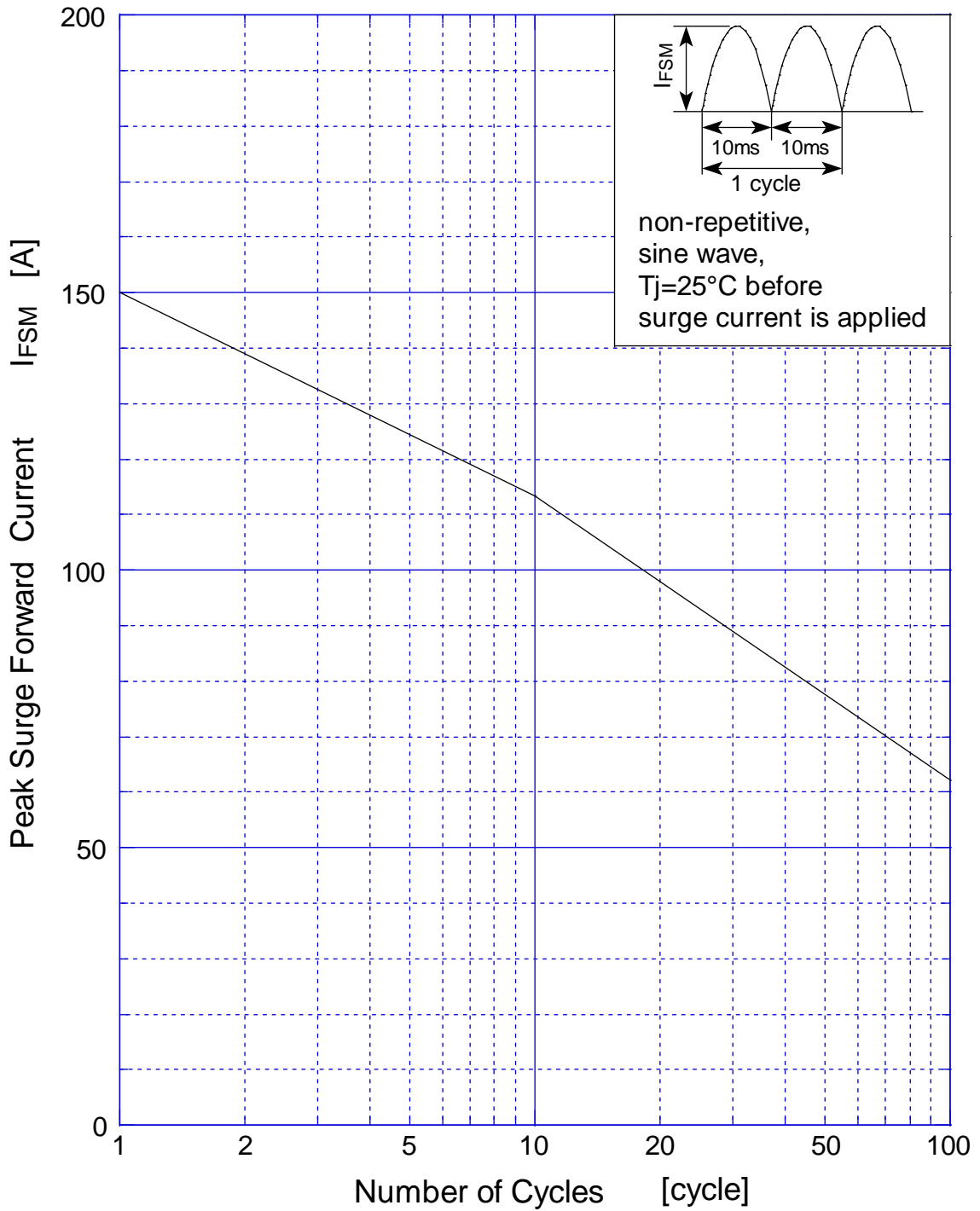
Derating Curve



$V_R = 50V$



SF15JC10 Peak Surge Forward Capability



SF15JC10 Junction Capacitance

