

ELECTRICAL SPECIFICATIONS:

- | | | |
|---|---------|-----------------------------|
| 1.0 TURNS RATIO (P6-P8-P3) : | (J6-J3) | : 1CT : 1 ± 3% |
| (P2-P7-P1) : | (J2-J1) | : 1CT : 1.4 ± 3% |
| 2.0 INDUCTANCE (P6-P3)=(J6-J3) | | : 200uH MIN. @ 0.01V, 10KHz |
| (P2-P1) | | : 100uH MIN. @ 0.01V, 10KHz |
| 3.0 LEAKAGE INDUCTANCE P6-P3 <WITH J6 AND J3 SHORT> | | : 0.3uH MAX. @ 1MHz |
| P2-P1 <WITH J2 AND J1 SHORT> | | : 0.08uH MAX. @ 1MHz |
| 4.0 INTERWINDING CAPACITANCE (P6,P3) TO (J6,J3) | | : 20pf MAX @ 1MHz |
| (P2,P1) TO (J2,J1) | | : 20pf MAX. @ 1MHz |
| 5.0 DC RESISTANCE (J6-J3)=(J2-J1) | | : 1.0 ohms Max. |
| (P6-P8)=(P8-P3) | | : 0.5 ohms Max. |
| (P2-P7)=(P7-P1) | | : 0.3 ohms Max. |
| 6.0 DIELECTRIC WITHSTAND (P6,P3) TO (J6,J3) | | : 1500VAC |
| (P2,P1) TO (J2,J1) | | : 1500VAC |

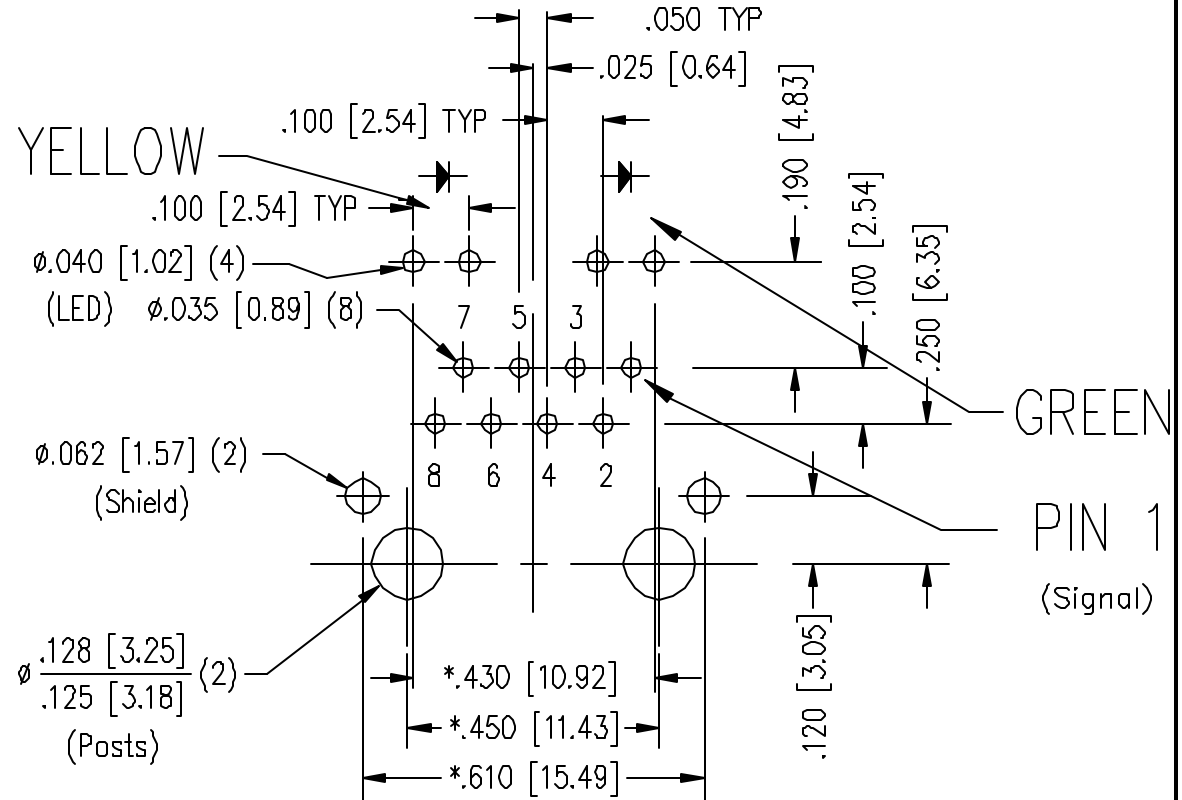
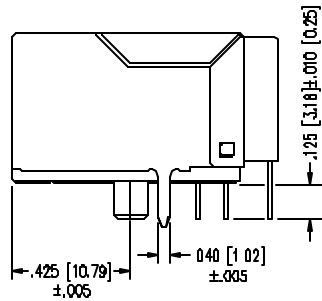
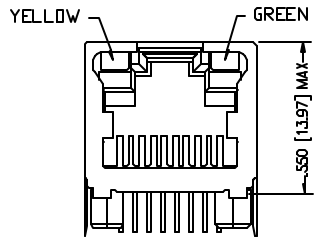
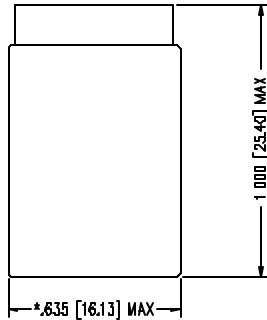
NOTES

1.0 PINS WITHOUT ELECTRICAL CONNECTION ARE OMITTED.

InNet Technologies Inc.
<http://www.innet-tech.com>
 Stewart Connector Systems
<http://www.stewartconnector.com>

STANDARD LED	WAVELENGTH	* Forward V (MAX)	(TYP)
YELLOW	590 nm	2.5 V	2.1 V
GREEN	565 nm	2.5 V	2.2 V

* WITH A FORWARD CURRENT OF 20 mA



P.C.B. RECOMMENDED HOLE LAYOUT
 SEEN FROM COMPONENT SIDE
 TOLERANCE ±.003 [0.08] UNLESS OTHERWISE SPECIFIED

- NOTES
- TOLERANCES COMPLY WITH F.C.C. DIMENSION REQUIREMENTS
 - DIMENSIONS SHOWN WITH "*" TO BE CENTRAL ABOUT CENTER LINE
 - DIMENSIONS SHOWN ARE SUBJECT TO CHANGE WITHOUT NOTICE.
 - PIN NOT ELECTRICALLY CONNECTED MAYBE OMITTED. SEE ELECTRICAL DRAWING FOR OMITTED PINS.

AVAILABLE WITH:
 - STANDARD 50 MICRO-INCH SELECTIVE GOLD PLATING

CT750006

InNet Technologies Inc.
<http://www.innet-tech.com>
Stewart Connector Systems
<http://www.stewartconnector.com>

SHEET 2 of 2 DRAWING NO. SI-50028 REV. 02